

Excellent Integrated System Limited

Stocking Distributor

Click to view price, real time Inventory, Delivery & Lifecycle Information:

[Cinch Connectivity Solutions](#)
[PWD-5512-T2-NNN-79](#)

For any questions, you can email us directly:

sales@integrated-circuit.com

NOTES:

1.0 ELECTRICAL SPECIFICATIONS:

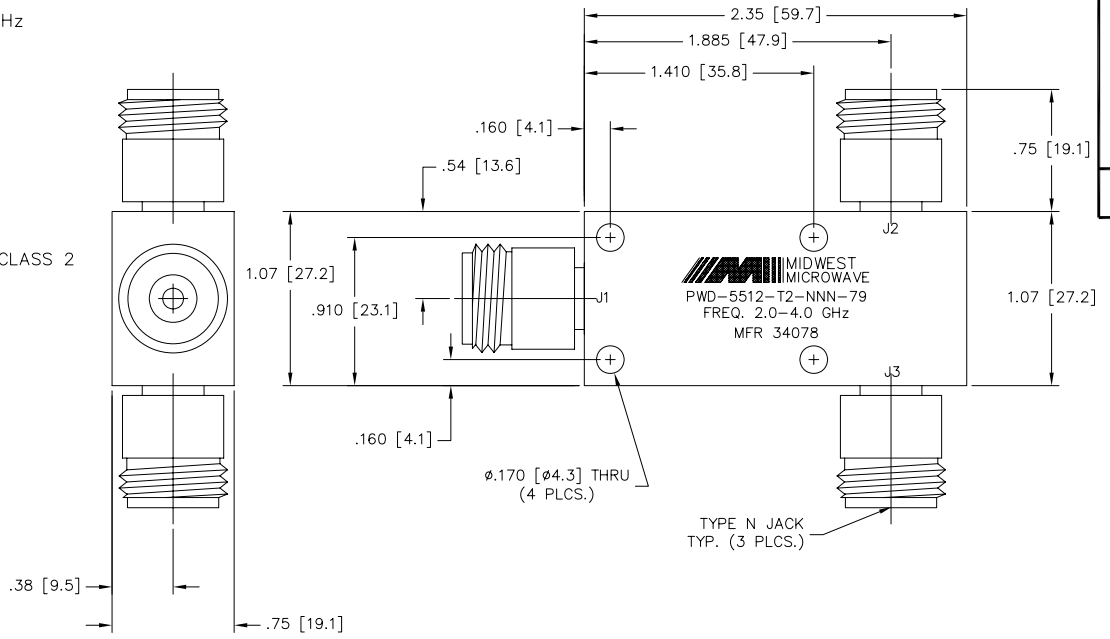
- 1.1 FREQUENCY RANGE: 2.0 to 4.0 GHz
- 1.2 INSERTION LOSS: .40dB MAX.
- 1.3 ISOLATION: 20dB MIN
- 1.4 VSWR (MAX): 1.35:1
- 1.5 OUTPUT UNBALANCE:
- 1.5.1 AMPLITUDE: 0.20dB MAX.
- 1.5.2 PHASE: 2° MAX.
- 1.6 MAX. INPUT POWER: 3 WATTS
- 1.7 OPERATING TEMP. RANGE: -55°C to +125°C

2.0 FINISH

- 2.1 GREY PER MIL-E-15090 TYPE II, CLASS 2
OVER MIL-C-5541 CLASS 3A
MEETS MIL-F-14072
MEETS MIL-E-5400

- 3.0 MARKING: MARK UNIT AS SHOWN.
SLK-08136-82-05

- 4.0 DIMENSIONS IN PARENTHESIS ARE IN MILLIMETERS.



MODEL NUMBER
PWD-5512-T2-NNN-79
REV. 1

DATE	11/4/02
DESCRIPTION	RELEASED
REV.	1

UNLESS OTHERWISE NOTED DIMENSIONS ARE IN INCHES AND TOLERANCES ARE: 3 PLACE DECIMALS ±.005 2 PLACE DECIMALS ±.02 FRACTIONS ±1/64 PARALLELITY: T.I.R. FLATNESS: T.I.R. CONCENTRICITY: T.I.R. ANGLES AND PERPENDICULARITY: ±1°	FSCM NO. 34078	MIDWEST MICROWAVE
	NOTICE: The information contained in this drawing is proprietary and must not be used without the permission of Midwest Microwave	
TITLE POWER DIVIDER		DRAWING NUMBER PWD-5512-T2-NNN-79
DRAWN/DATE S. ORLOV 10/31/02		ENG/DATE B. GALLAGHER 10/31/02
CHECKED/DATE		APPROVED/DATE
SCALE: 2=1		SHEET 1 of 1