

## Excellent Integrated System Limited

Stocking Distributor

Click to view price, real time Inventory, Delivery & Lifecycle Information:

[Cinch Connectivity Solutions](#)

[PWD-5514-T2-SMA-79](#)

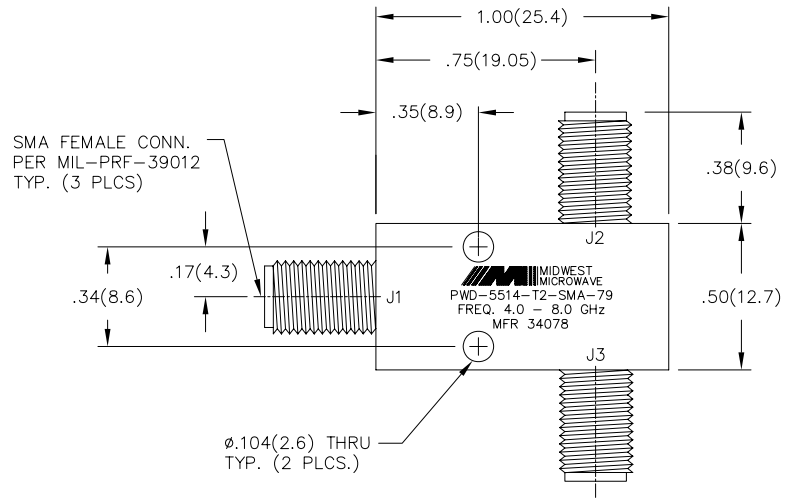
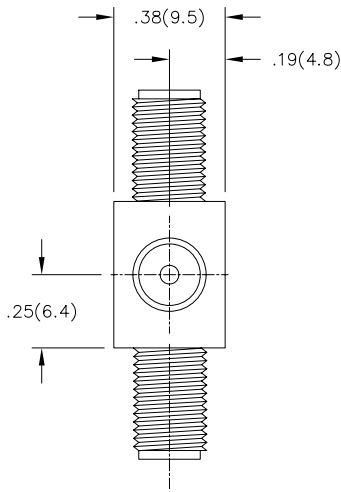
For any questions, you can email us directly:

[sales@integrated-circuit.com](mailto:sales@integrated-circuit.com)

- NOTES:
- 1.0 ELECTRICAL SPECIFICATIONS:
  - 1.1 FREQUENCY RANGE: 4.0 to 8.0 GHz
  - 1.2 INSERTION LOSS: 0.5dB
  - 1.3 ISOLATION: 20dB MIN.
  - 1.4 VSWR (MAX): 1.35:1
  - 1.5 OUTPUT UNBALANCE:
  - 1.5.1 AMPLITUDE: 0.2dB MAX.
  - 1.5.2 PHASE: 3° MAX.
  - 1.6 MAXIMUM INPUT POWER: 3 WATTS

- 2.0 FINISH:
- 2.1 GREY PER MIL-E-15090 TYPE II, CLASS 2 OVER MIL-C-5541 CLASS 3A MEETS MIL-F-14072 MEETS MIL-E-5400
- 2.2 MARKING: MARK UNIT AS SHOWN (REF.: SLK-08062-82-01)

- 3.0 DIMENSIONS IN PARENTHESIS ARE IN MILLIMETERS.
- 4.0 WEIGHT: 23 GRAMS MAX.



MODEL NUMBER  
PWD-5514-T2-SMA-79  
REV. 1

|             |          |
|-------------|----------|
| DATE        | 9/28/01  |
| DESCRIPTION | RELEASED |
| REV.        | 1        |

|   |   |                                    |                                      |
|---|---|------------------------------------|--------------------------------------|
| UNLESS OTHERWISE NOTED DIMENSIONS ARE IN INCHES AND TOLERANCES ARE:<br>3 PLACE DECIMALS ±.005<br>2 PLACE DECIMALS ±.02<br>FRACTIONS ±1/64<br>PARALLELITY: T.I.R.<br>FLATNESS: T.I.R.<br>CONCENTRICITY: T.I.R.<br>ANGLES AND PERPENDICULARITY: ±1° | FIG. NO.<br><b>34078</b>  | MIDWEST MICROWAVE                  |                                      |
|   | NOTICE: The information contained in this drawing is proprietary and must not be used without the permission of Midwest Microwave |                                    | TITLE<br>POWER DIVIDER               |
|   | DRAWN/DATE<br>S. ORLOV<br>9/28/01   | ENG./DATE<br>P. GOODMAN<br>9/28/01 | DRAWING NUMBER<br>PWD-5514-T2-SMA-79 |
|   | CHECKED/DATE  | APPROVED/DATE                      | SCALE: 3=1 SHEET 1 of 1              |