

Excellent Integrated System Limited

Stocking Distributor

Click to view price, real time Inventory, Delivery & Lifecycle Information:

[Cinch Connectivity Solutions](#)

[PWD-5517-T2-SMA-79](#)

For any questions, you can email us directly:

sales@integrated-circuit.com

NOTES: electronic components

1.0 ELECTRICAL SPECIFICATIONS:

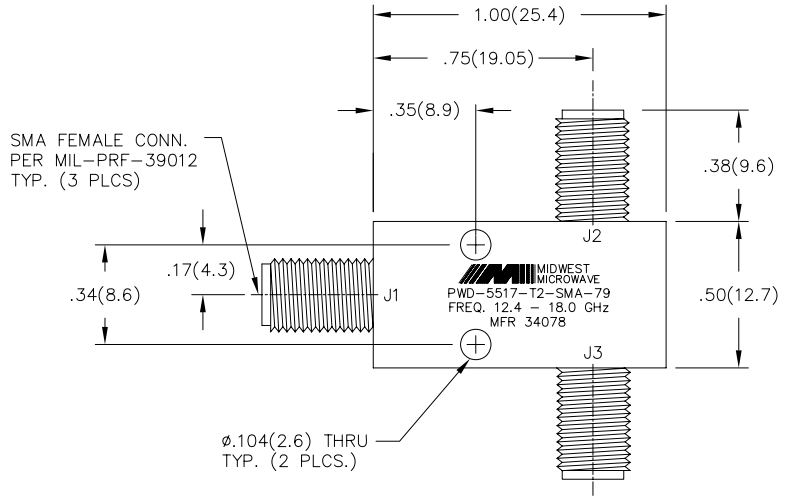
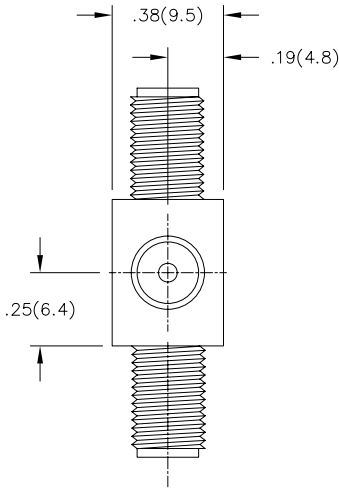
- 1.1 FREQUENCY RANGE: 12.4 to 18.0 GHz
- 1.2 INSERTION LOSS: 0.5dB
- 1.3 ISOLATION: 20dB MIN.
- 1.4 VSWR (MAX): 1.50:1
- 1.5 OUTPUT UNBALANCE:
 - 1.5.1 AMPLITUDE: 0.3dB MAX.
 - 1.5.2 PHASE: 5° MAX.
- 1.6 MAXIMUM INPUT POWER: 3 WATTS

2.0 FINISH:

- 2.1 GREY PER MIL-E-15090 TYPE II, CLASS 2 OVER MIL-C-5541 CLASS 3A MEETS MIL-F-14072 MEETS MIL-E-5400
- 2.2 MARKING: MARK UNIT AS SHOWN (REF.: SLK-08062-82-03)

3.0 DIMENSIONS IN PARENTHESIS ARE IN MILLIMETERS.

4.0 WEIGHT: 23 GRAMS MAX.



SMA FEMALE CONN. PER MIL-PRF-39012 TYP. (3 PLCS)

MIDWEST MICROWAVE
PWD-5517-T2-SMA-79
FREQ. 12.4 - 18.0 GHz
MFR 34078

MODEL NUMBER
PWD-5517-T2-SMA-79
REV. 1

DATE	8/16/01
DESCRIPTION	RELEASED
REV.	1

UNLESS OTHERWISE NOTED DIMENSIONS ARE IN INCHES AND TOLERANCES ARE: 3 PLACE DECIMALS ±.005 2 PLACE DECIMALS ±.02 FRACTIONS ±1/64 PARALLELITY: T.I.R. FLATNESS: T.I.R. CONCENTRICITY: T.I.R. ANGLES AND PERPENDICULARITY: ±1°	FSCM NO. 34078	MIDWEST MICROWAVE
	NOTICE: The information contained in this drawing is proprietary and must not be used without the permission of Midwest Microwave	
	TITLE POWER DIVIDER	
	DRAWN/DATE L. BROWN 10/17/97	ENG/DATE P. GOODMAN 8/16/01
	CHECKED/DATE	APPROVED/DATE
	DRAWING NUMBER PWD-5517-T2-SMA-79	
	SCALE: 3=1	SHEET 1 of 1