

## **Excellent Integrated System Limited**

Stocking Distributor

Click to view price, real time Inventory, Delivery & Lifecycle Information:

[Cinch Connectivity Solutions](#)  
[SHT-2174-F0-NNN-02](#)

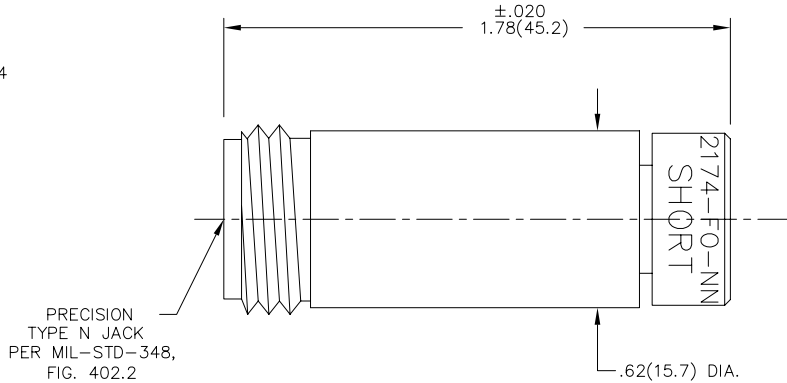
For any questions, you can email us directly:  
[sales@integrated-circuit.com](mailto:sales@integrated-circuit.com)

- NOTES:
- 1.0 MATERIALS:
    - 1.1 CONNECTOR HOUSING: STAINLESS STEEL PER ASTM-A582, TYPE 303.
    - 1.2 TERMINATION HSG.: HALF HARD BRASS PER ASTM B16
    - 1.3 CENTER CONTACT: BERYLLIUM COPPER ROD ALLOY C172, PER ASTM-B196.

- 2.0 PLATING:
  - 2.1 TERMINATION HOUSING: GOLD PER MIL-G-45204 TYPE I, GRADE C, CLASS 0.
  - 2.2 CENTER CONTACT: GOLD PER MIL-G-45204, TYPE II, CLASS 2
  - 2.3 CONNECTOR HOUSING: PASSIVATED PER MIL-F-14072 AND QQ-P-35

- 3.0 MARKING: MARK UNIT AS SHOWN  
SHT-2174-F0-NNN-02  
SHORT  
THE WORD "SHORT" SHOULD BE AS BIG & AS BOLD AS POSSIBLE

4.0 DIMENSIONS IN PARENTHESIS ARE IN MILLIMETERS.



PRECISION TYPE N JACK PER MIL-STD-348, FIG. 402.2

REV.	DESCRIPTION	DATE
1	RELEASED	1/5/95
A	ECN 14348	3/9/95
A1	ADDED TITLEBLOCK	7/21/95

UNLESS OTHERWISE NOTED DIMENSIONS ARE IN INCHES AND TOLERANCES ARE: 3 PLACE DECIMALS ±.005 2 PLACE DECIMALS ±.02 FRACTIONS ±1/64 PARALLELITY: T.J.R. _____ FLATNESS: T.J.R. _____ CONCENTRICITY: T.J.R. _____ ANGLES AND PERPENDICULARITY: ±1°	FSCM NO. <b>34078</b>	<b>MIDWEST MICROWAVE</b>
	NOTICE: The information contained in this drawing is proprietary and must not be used without the permission of Midwest Microwave	
TITLE TYPE N JACK SHORT CIRCUIT TERMINATION		DRAWING NUMBER SHT-2174-F0-NNN-02
DRAWN/DATE A.BEATTY 12/27/94		ENG./DATE A.OSGA 1/4/95
CHECKED/DATE M.HOLLMANN 1/4/95		APPROVED/DATE
SCALE: 3=1		SHEET 1 of 1