

Excellent Integrated System Limited

Stocking Distributor

Click to view price, real time Inventory, Delivery & Lifecycle Information:

[Cinch Connectivity Solutions](#)

[TRM-2052-0C-7MM-02](#)

For any questions, you can email us directly:

sales@integrated-circuit.com

NOTES:

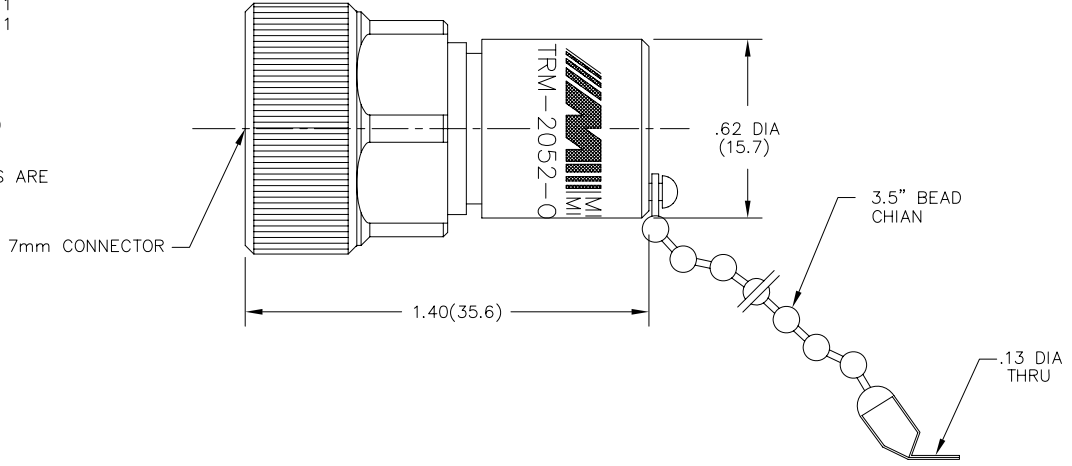
1.0 SPECIFICATIONS:

- 1.1 FREQUENCY RANGE: DC to 18.0 GHz
- 1.2 MAXIMUM INPUT POWER: 2 WATTS AVERAGE AT +25°C DERATED LINEARLY TO 0.5 WATTS AT +125°C
- 1.3 OPERATING TEMP. RANGE: -55°C to +125°C
- 1.4 IMPEDANCE: 50 OHMS
- 1.5 VSWR (MAX.):
 - DC to 4.0 GHz: 1.05:1
 - 4.0 to 12.0 GHz: 1.10:1
 - 12.0 to 18.0 GHz: 1.15:1

2.0 MARKING

- 2.1 MARK UNIT AS SHOWN (REF.: INK-02611-27-10)

3.0 DIMENSIONS IN PARENTHESIS ARE IN MILLIMETERS.



REV.	DESCRIPTION	DATE
-	RELEASED	3/25/92
-1	ADDED TITLEBLOCK	10/26/05

UNLESS OTHERWISE NOTED DIMENSIONS ARE IN INCHES AND TOLERANCES ARE: 3 PLACE DECIMALS ±.005 2 PLACE DECIMALS ±.02 FRACTIONS ±1/64 PARALLELITY: T.I.R. FLATNESS: T.I.R. CONCENTRICITY: T.I.R. ANGLES AND PERPENDICULARITY: ±1'	FSCM NO. 34078		MIDWEST MICROWAVE	
	NOTICE: The information contained in this drawing is proprietary and must not be used without the permission of Midwest Microwave		TITLE TERMINATION	
	DRAWN/DATE A. BEATY 3/20/92	ENG./DATE G. KOZAK 3/25/92	DRAWING NUMBER TRM-2052-0C-7MM-02	
	CHECKED/DATE	APPROVED/DATE	SCALE: 3=1	SHEET 1 of 1