

Excellent Integrated System Limited

Stocking Distributor

Click to view price, real time Inventory, Delivery & Lifecycle Information:

[Mallory Sonalert Products](#)

[RSB1](#)

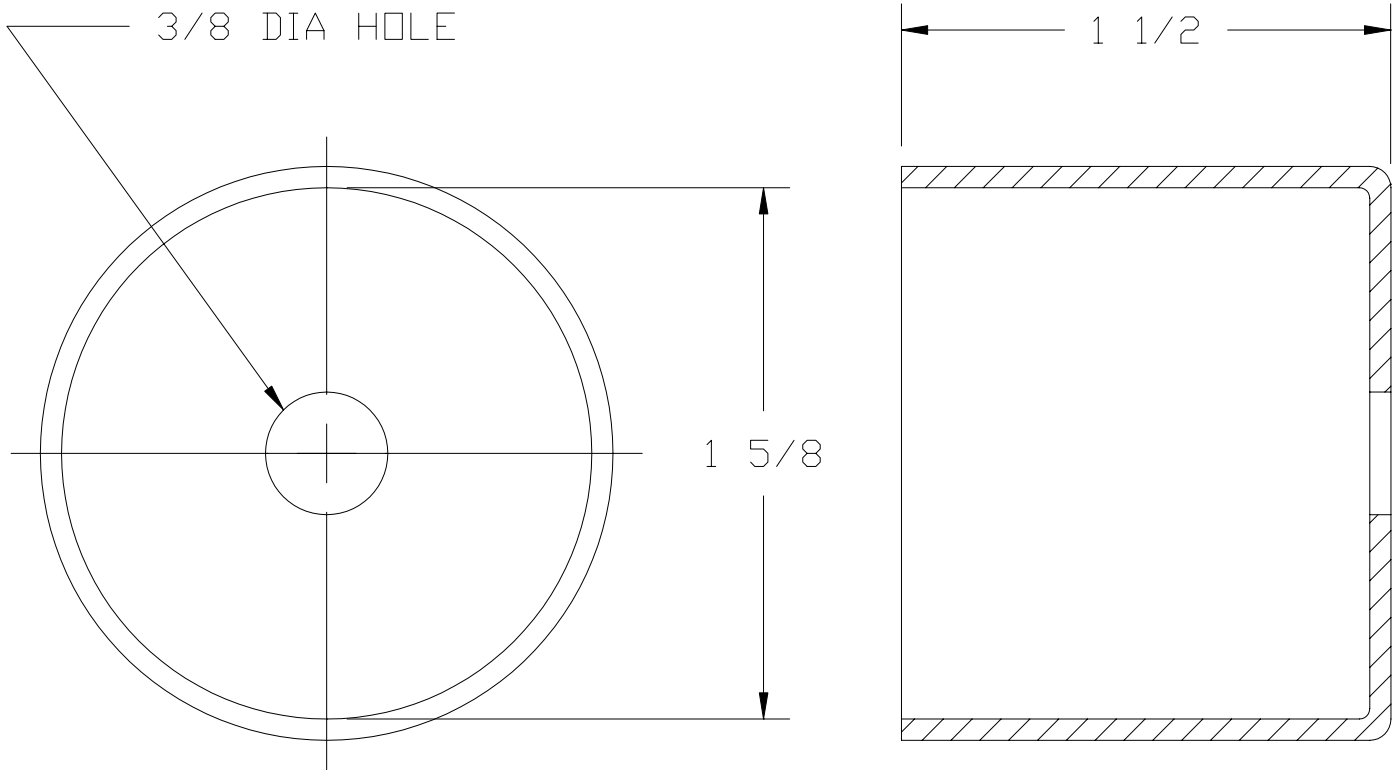
For any questions, you can email us directly:

sales@integrated-circuit.com

MALLORY Mallory Sonalert Products Inc.
Sonalert[®] Accessory Drawing

Part # **RSB1**
Revision **A**

Insulating Boot



Recommended especially for 110Vac & 250Vac models, or any other classic ('SC') Sonalert[®] model where terminal insulation is desired.
Material: Vinyl Color: Black