

Excellent Integrated System Limited

Stocking Distributor

Click to view price, real time Inventory, Delivery & Lifecycle Information:

[Mallory Sonalert Products](#)
[SC416](#)

For any questions, you can email us directly:

sales@integrated-circuit.com

MALLORY

Mallory Sonalert Products Inc.

Part # **SC416**

Sales Outline Drawing

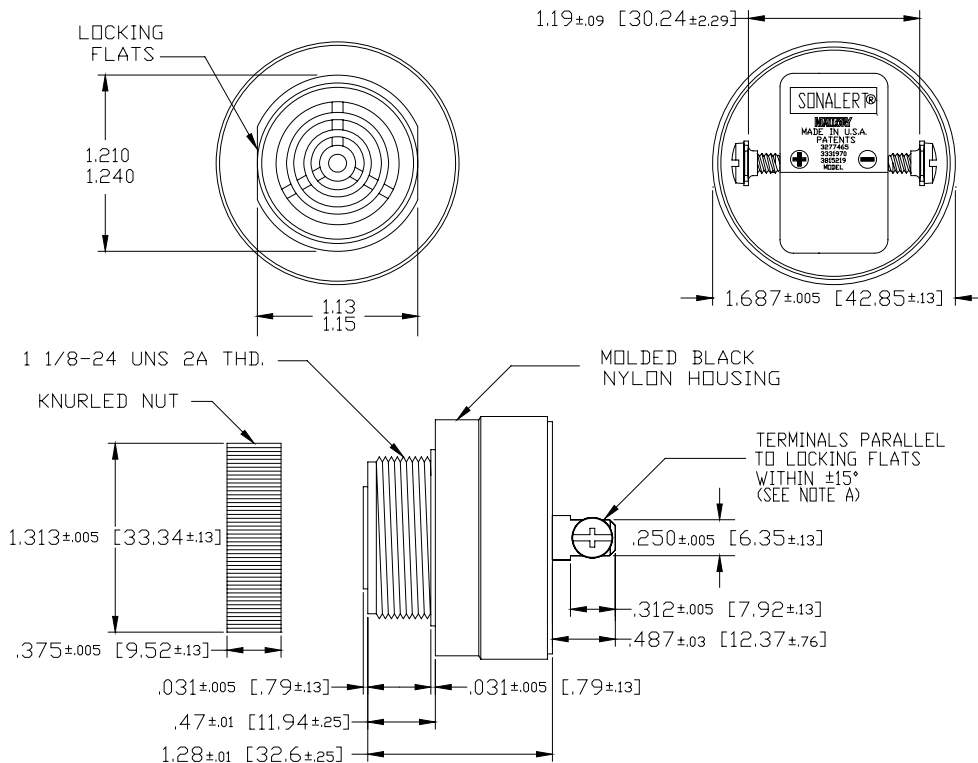
Revision **D**

Specifications:

Sound level Category	Medium Sound Level
Mode of Operation	Continuous tone
Mounting	Panel (see note B)
Voltage Rating	4 to 16 Vdc
Frequency	2900 Hz \pm 500 Hz
Loudness (Min. Voltage)	68 dB(A) min. @ 2 FT and 4 Vdc
Loudness (Max Voltage)	80 dB(A) min. @ 2FT and 16 Vdc
Current Draw	4 mA Max @ 4 Vdc
Current Draw	14 mA Max @ 16 Vdc
Storage Temperature	-40°C to +85°C
Operating Temperature	-30°C to +65°C
Weight (Typical)	1.5 oz (42 g)
Housing	6/6 Nylon and Color Black
Options	For other options contact factory

Dimensions: Inches (mm)

UL Recognized 



NOTE A: TERMINALS-.032 BRASS TIN PLATED, TAPPED FOR #6-32 SCREW. TWO #6-32 NICKEL PLATED BRASS SCREWS INCLUDED. WILL ACCEPT 1/4" QUICK CONNECT.

NOTE B: MOUNTING- REMOVE BLACK PLASTIC NUT AND INSERT THREADED FRONT THROUGH 1.25" HOLE PUNCHED IN PANEL, IF ORIENTATION IS NEEDED, NOTE LOCKING FLATS ON DRAWING. SCREW NUT BACK ON. DO NOT OVERTIGHTEN.