

Excellent Integrated System Limited

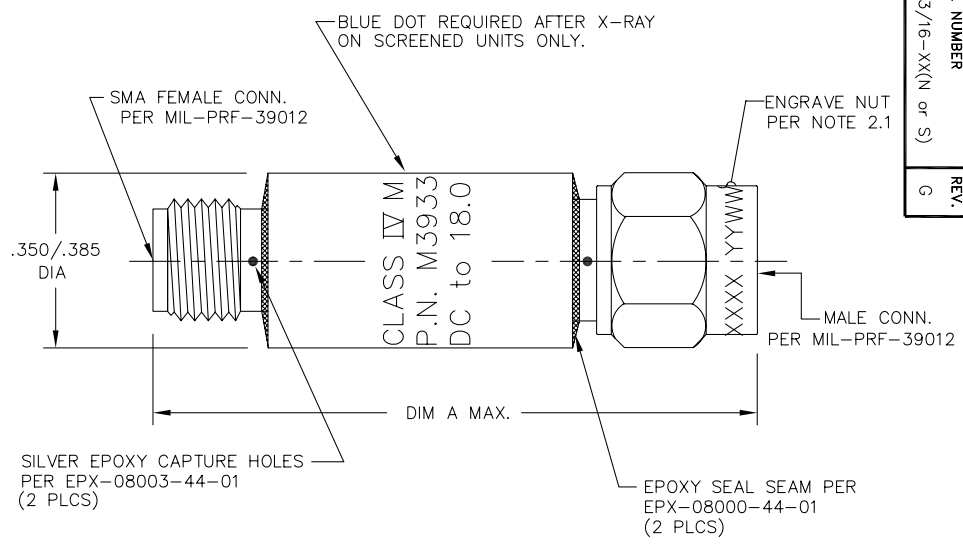
Stocking Distributor

Click to view price, real time Inventory, Delivery & Lifecycle Information:

[Bel Fuse Inc.](#)
[M3933/16-25N](#)

For any questions, you can email us directly:
sales@integrated-circuit.com

- NOTES:
- 1.0 SPECIFICATIONS:
 - 1.1 FREQUENCY RANGE: DC to 18.0 GHz
 - 1.2 IMPEDANCE: 50 OHMS NOMINAL
 - 1.3 VSWR MAX.:
 - DC to 4.0 GHz: 1.15:1
 - 4.0 to 8.0 GHz: 1.20:1
 - 8.0 to 12.4 GHz: 1.25:1
 - 12.4 to 18.0 GHz: 1.35:1
 - 1.4 ATTENUATION & ACCURACY: SEE TABLE
 - 1.5 MAXIMUM INPUT POWER
 - 1.5.1 2 WATTS AVG. AT +25°C DERATED LINEARLY TO 0.5 WATTS AT +125°C
 - 1.5.2 500 WATTS PEAK
 - 1.6 OPERATING TEMP. RANGE: -55°C to +125°C
 - 2.0 MARKING:
 - 2.1 ENGRAVE SERIAL NO. AND DATE CODE ON NUT AS SHOWN.
 - 2.2 MARK BODY AS SHOWN.
 (REF.: INK-09003-27-XX) FOR SCREENED.
 (REF.: INK-09004-27-XX) FOR NON-SCREENED.
 - 3.0 TESTING:
 - TEST IN CONJUNCTION WITH
 ATP-07839-60-01 FOR SCREENED UNITS.
 ATP-09210-60-01 FOR NON-SCREENED UNITS.



- 4.0 BAG MARKING:
 - SEE MODEL NO.
 - MODEL M3933/16-XX
 - ATTENUATOR FIXED COAXIAL LINE
 - 2 WATTS AVERAGE INPUT POWER
 - FREQ. RANGE: DC-18.0 GHz
 - MFR 34078
 - LOT NO. _____
 - DATE CODE: YYWW
 - YEAR & WEEK

4.1 SERIAL NUMBERS MUST BE MARKED ON BAGS OR TEST DATA POSITIONED IN BAG SO THAT SERIAL NUMBERS CAN BE EASILY READ.

REV.	DESCRIPTION	DATE
I	RELEASED	12/11/91
A	ECN 11851	5/22/92
B	ECN 12989	10/5/93
C	ECN 13483	4/8/94
D	ECN 14231	1/16/95
E	ECN 16867	2/3/99
F	ECN 18867	12/12/02
G	ECN 20266	1/6/05

UNLESS OTHERWISE NOTED DIMENSIONS ARE IN INCHES AND TOLERANCES ARE: 3 PLACE DECIMALS ±.005 2 PLACE DECIMALS ±.02 FRACTIONS ±1/64 PARALLELITY: T.I.R. _____ FLATNESS: T.I.R. _____ CONCENTRICITY: T.I.R. _____ ANGLES AND PERPENDICULARITY: ±1°	FORM NO. 34078	MIDWEST MICROWAVE
	NOTICE: The information contained in this drawing is proprietary and must not be used without the permission of Midwest Microwave TITLE ATTENUATOR	
DRAWN/DATE A.BEATTY 12/10/91	ENG./DATE G.KOZAK 12/11/91	DRAWING NUMBER M3933/16-XX(N or S)
CHECKED/DATE A.BEATTY 12/12/91	APPROVED/DATE T.GORDON 12/11/91	SCALE: 5=1 SHEET 1 of 2

MMI MODEL NO. M3933/16-XX	ATTEN (dB)	DEVIATION	DIM A MAX.	WEIGHT (Oz. MAX.)
		DC-18 GHz		
M3933/16-01	3	±0.3	1.24	0.5
M3933/16-02	6	±0.3	1.24	0.5
M3933/16-03	10	±0.5	1.24	0.5
M3933/16-04	20	±0.7	1.24	0.5
M3933/16-05	1	±0.4	1.24	0.5
M3933/16-06	2	±0.4	1.24	0.5
M3933/16-07	4	±0.3	1.24	0.5
M3933/16-08	5	±0.3	1.24	0.5
M3933/16-09	7	±0.5	1.24	0.5
M3933/16-10	8	±0.5	1.24	0.5
M3933/16-11	9	±0.5	1.24	0.5
M3933/16-12	30	±1.0	1.85	0.8
M3933/16-13	40	±1.0	1.85	0.8
M3933/16-16	0	±0.4	1.24	0.5
M3933/16-17	0.5	±0.4	1.24	0.5
M3933/16-18	1.5	±0.4	1.24	0.5
M3933/16-19	2.5	±0.4	1.24	0.5
M3933/16-20	3.5	±0.3	1.24	0.5
M3933/16-21	4.5	±0.3	1.24	0.5
M3933/16-22	5.5	±0.3	1.24	0.5
M3933/16-23	6.5	±0.3	1.24	0.5
M3933/16-24	7.5	±0.5	1.24	0.5
M3933/16-25	8.5	±0.5	1.24	0.5
M3933/16-26	9.5	±0.5	1.24	0.5
M3933/16-27	10.5	±0.5	1.24	0.5
M3933/16-28	11	±0.5	1.24	0.5
M3933/16-29	11.5	±0.5	1.24	0.5
M3933/16-30	12	±0.5	1.24	0.5
M3933/16-31	12.5	±0.5	1.24	0.5

MMI MODEL NO. M3933/16-XX	ATTEN (dB)	DEVIATION	DIM A MAX.	WEIGHT (Oz. MAX.)
		DC-18 GHz		
M3933/16-32	13	±0.5	1.24	0.5
M3933/16-33	13.5	±0.5	1.24	0.5
M3933/16-34	14	±0.5	1.24	0.5
M3933/16-35	14.5	±0.5	1.24	0.5
M3933/16-36	15	±0.5	1.24	0.5
M3933/16-37	15.5	±0.5	1.24	0.5
M3933/16-38	16	±0.7	1.24	0.5
M3933/16-39	16.5	±0.7	1.24	0.5
M3933/16-40	17	±0.7	1.24	0.5
M3933/16-41	17.5	±0.7	1.24	0.5
M3933/16-42	18	±0.7	1.24	0.5
M3933/16-43	18.5	±0.7	1.24	0.5
M3933/16-44	19	±0.7	1.24	0.5
M3933/16-45	19.5	±0.7	1.24	0.5
M3933/16-46	20.5	±0.7	1.24	0.5
M3933/16-47	21	±0.7	1.24	0.5
M3933/16-48	21.5	±0.7	1.24	0.5
M3933/16-49	22	±0.7	1.24	0.5
M3933/16-50	22.5	±0.7	1.24	0.5
M3933/16-51	23	±0.7	1.24	0.5
M3933/16-52	23.5	±0.7	1.24	0.5
M3933/16-53	24	±0.7	1.24	0.5
M3933/16-54	24.5	±0.7	1.24	0.5
M3933/16-55	25	±0.7	1.24	0.5
M3933/16-56	28	±0.7	1.24	0.7
M3933/16-57	32	±1.0	1.85	0.8
M3933/16-58	36	±1.0	1.85	0.8
M3933/16-59	44	±1.0	1.85	0.8
M3933/16-60	45	±1.0	1.85	0.8

DATE	1/6/05
DESCRIPTION	RELEASED
REV.	1

UNLESS OTHERWISE NOTED DIMENSIONS ARE IN INCHES AND TOLERANCES ARE: 3 PLACE DECIMALS ±.005 2 PLACE DECIMALS ±.02 FRACTIONS ±1/64 PARALLELITY: T.I.R. _____ FLATNESS: T.I.R. _____ CONCENTRICITY: T.I.R. _____ ANGLES AND PERPENDICULARITY: ±1°	FSCM NO. 34078	MIDWEST MICROWAVE
	NOTICE: The information contained in this drawing is proprietary and must not be used without the permission of Midwest Microwave	
TITLE ATTENUATOR		DRAWING NUMBER M3933/16-XX(N or S)
DRAWN/DATE A.BEATTY 12/10/91		ENG/DATE G.KOZAK 12/11/91
CHECKED/DATE A.BEATTY 12/12/91		APPROVED/DATE T.GORDON 12/11/91
SCALE: 5=1		SHEET 2 of 2