

Excellent Integrated System Limited

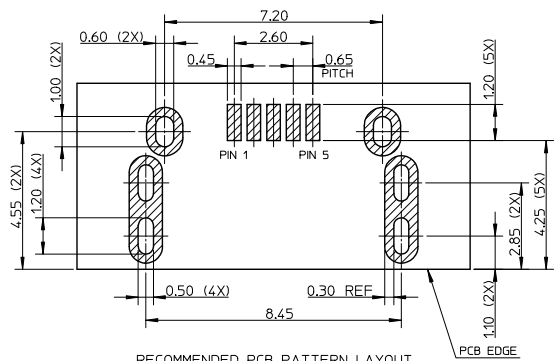
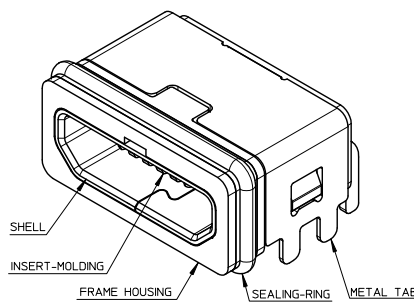
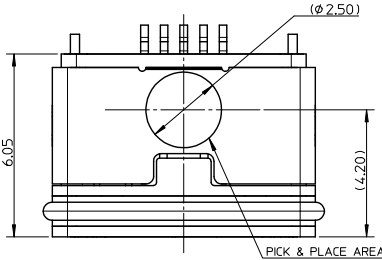
Stocking Distributor

Click to view price, real time Inventory, Delivery & Lifecycle Information:

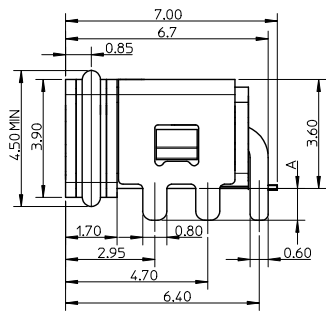
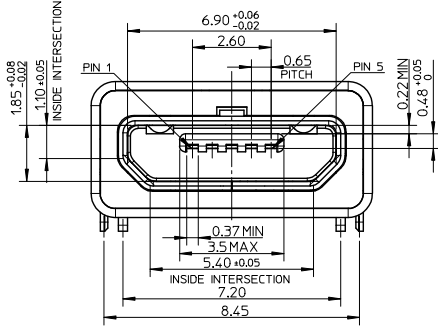
[Molex Connector Corporation](#)
[1054431101](#)

For any questions, you can email us directly:
sales@integrated-circuit.com

10 9 8 7 6 5 4 3 2 1



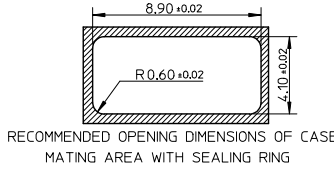
RECOMMENDED PCB PATTERN LAYOUT
GENERAL TOLERANCE: ±0.05



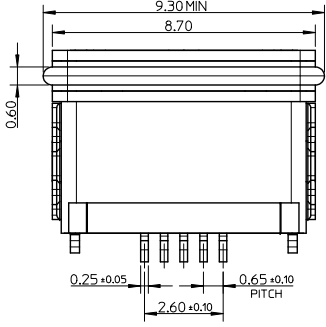
NOTES:

- MATERIAL:
HOUSING: LCP, BLACK, UL94V-0;
TERMINAL: COPPER ALLOY, THICKNESS: 0.15mm;
SHELL: STAINLESS STEEL, THICKNESS: 0.30mm;
METAL TAB: STAINLESS STEEL, THICKNESS: 0.25mm;
SEALING RING: SILICON RUBBER.
- PLATING:
TERMINAL: CONTACT AREA: GOLD FLASH OVER MINIMUM 0.75MICRON Pd/Ni,
SOLDER TAIL AREA: GOLD FLASH; UNDER PLATING: NICKEL 2.0MICRON MINIMUM.
SHELL / METAL TAB: 2.0MICRON MINIMUM MATTE TIN OVER
1.27MICRON MINIMUM NICKEL UNDER PLATING.
- TAIL COPLANARITY 0.08mm MAXIMUM.
- PRODUCT SPECIFICATION: PK-105296-002.
- PACKAGE SPECIFICATION: PS-105296-001.
- PRODUCTS MEET IP67 TEST REQUEST.
- COMPLIANT TO RoHS DIRECTIVE 2011/65/EU AND ELV 2000/53/EC.

105443-1111	0.55±0.08
105443-1101	1.05±0.12
PART NUMBER	DIM A



RECOMMENDED OPENING DIMENSIONS OF CASE
MATING AREA WITH SEALING RING



5	GND
4	ID
3	D+
2	D-
1	VBUS
PIN	NAME
PIN ASSIGNMENT	

ADD PART NUMBER	2015/12/03
EC NO: SH2016-0313	2016/06/01
DRWN:XQZHANG	2016/06/02
CHKD:XQZHANG	
APPR:AYIN	
REV	DESCRIPTION

QUALITY SYMBOLS	GENERAL TOLERANCES (UNLESS SPECIFIED)
▽=0	4 PLACES ± --- ± ---
▽=0	3 PLACES ± --- ± ---
▽=0	2 PLACES ± 0.15 ± ---
▽=0	1 PLACE ± 0.25 ± ---
	0 PLACE ± --- ± ---
	ANGULAR ± 3°
	DRAFT WHERE APPLICABLE MUST REMAIN WITHIN DIMENSIONS

DIMENSION STYLE	SCALE	DESIGN UNITS	THIRD ANGLE PROJECTION
MM ONLY	1:1	METRIC	
DRAWN BY	DATE	TITLE	
XQZHANG	2015/02/12	SALES DRAWING FOR USB, MICRO-B WATERPROOF TYPE	
CHECKED BY	DATE		
XQZHANG	2015/02/12		
APPROVED BY	DATE		
AYIN	2015/07/14		
MATERIAL NO.	DOCUMENT NO.		
SEE TABLE	SD-105443-110		
SIZE		SHEET NO. 1 OF 1	
A3		THIS DRAWING CONTAINS INFORMATION THAT IS PROPRIETARY TO MOLEX INCORPORATED AND SHOULD NOT BE USED WITHOUT WRITTEN PERMISSION	

9 8 7 6 5 4 3 2 1