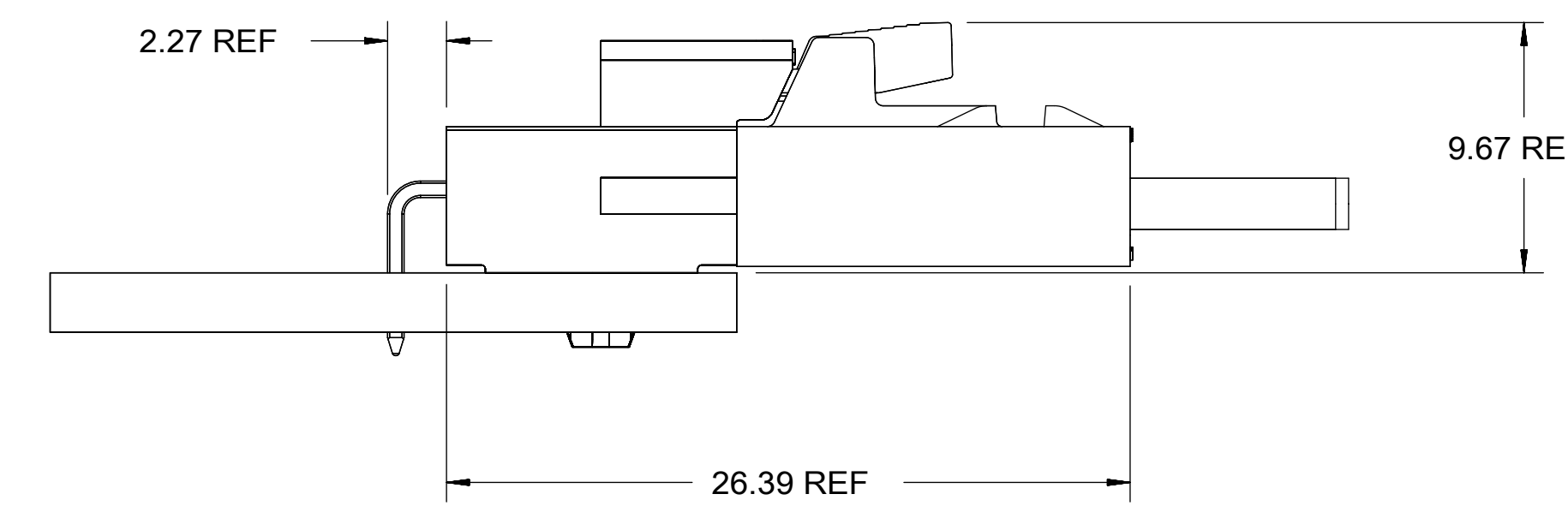
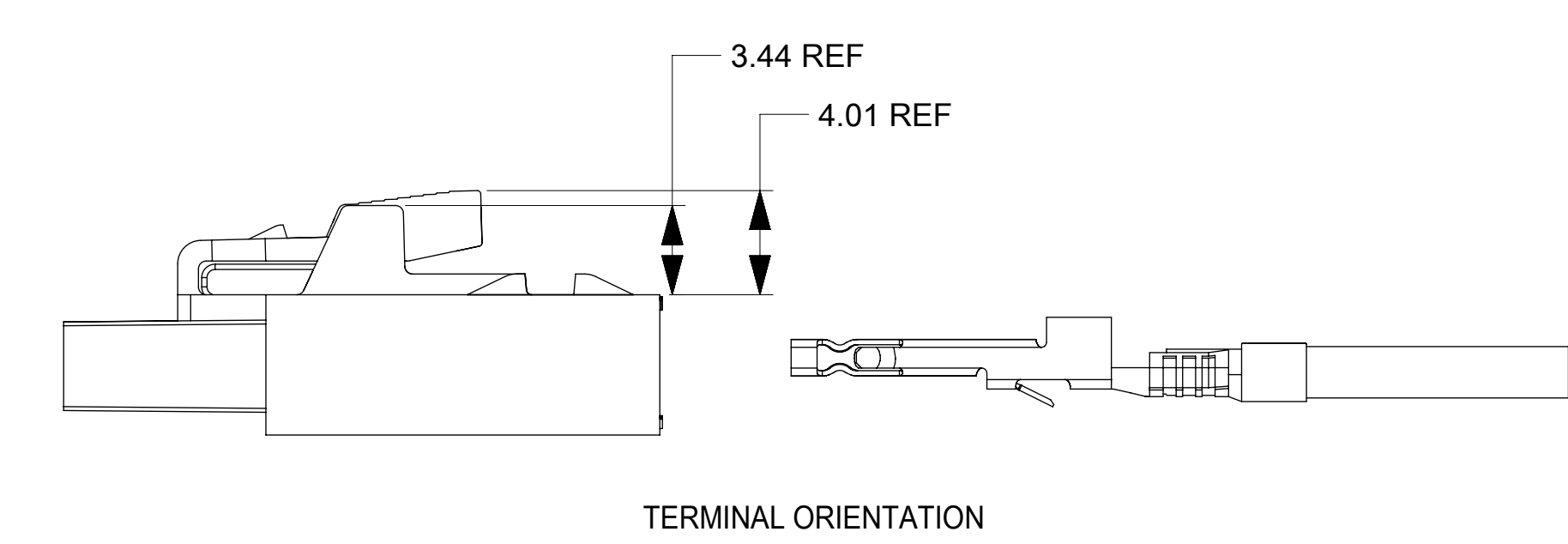
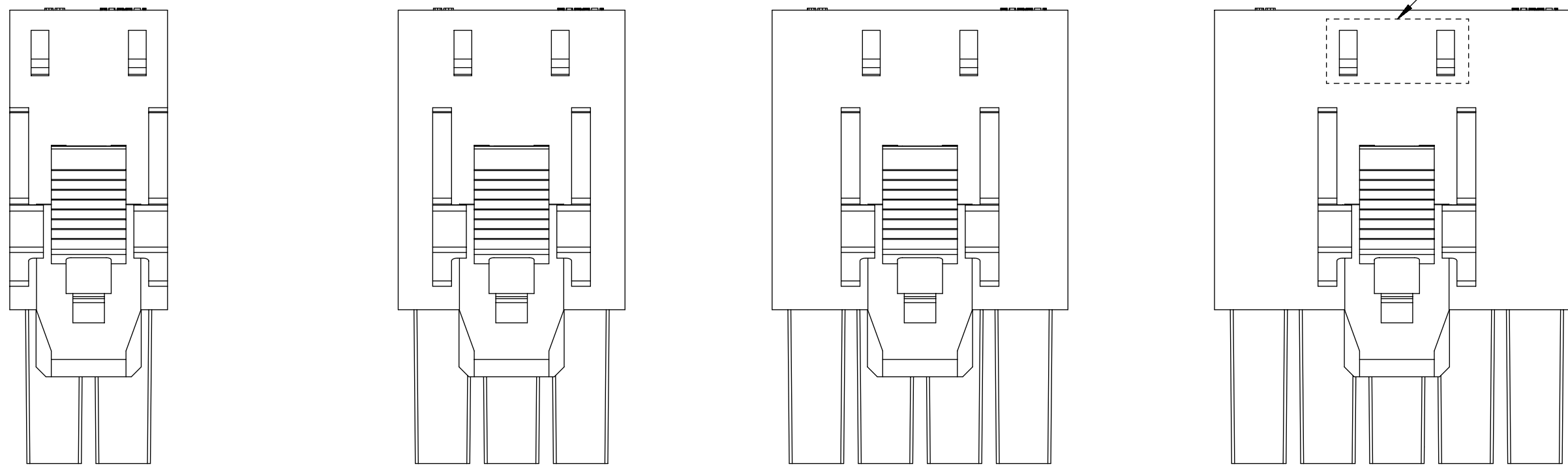
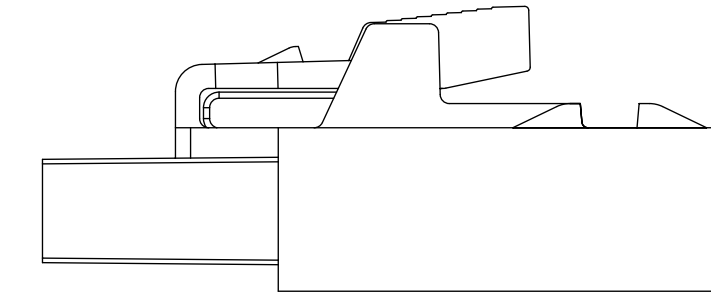
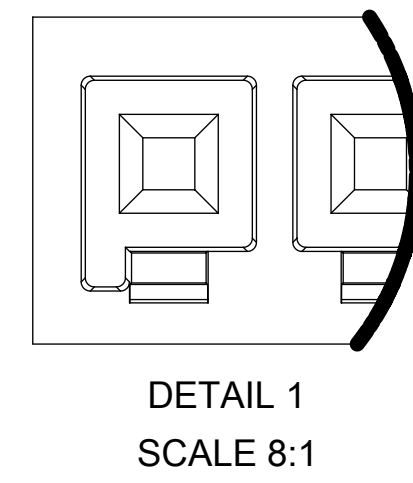
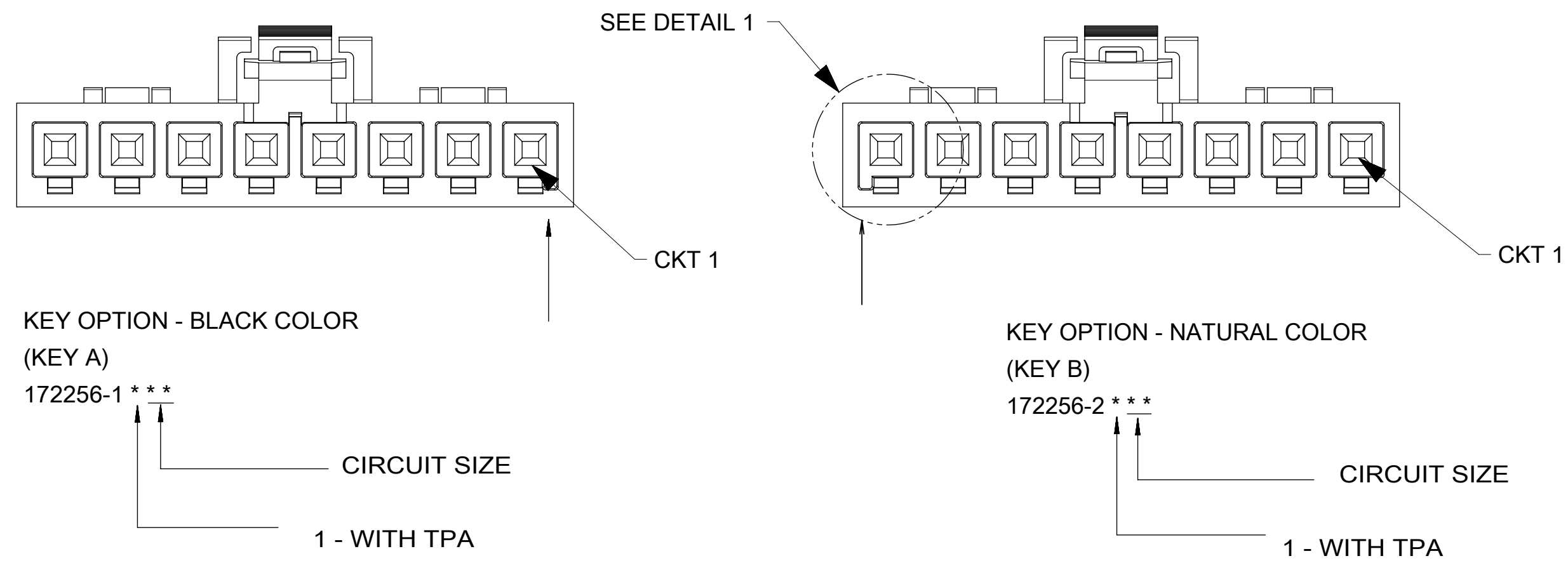


WITH TPA
FEATURE
SCALE 2:1

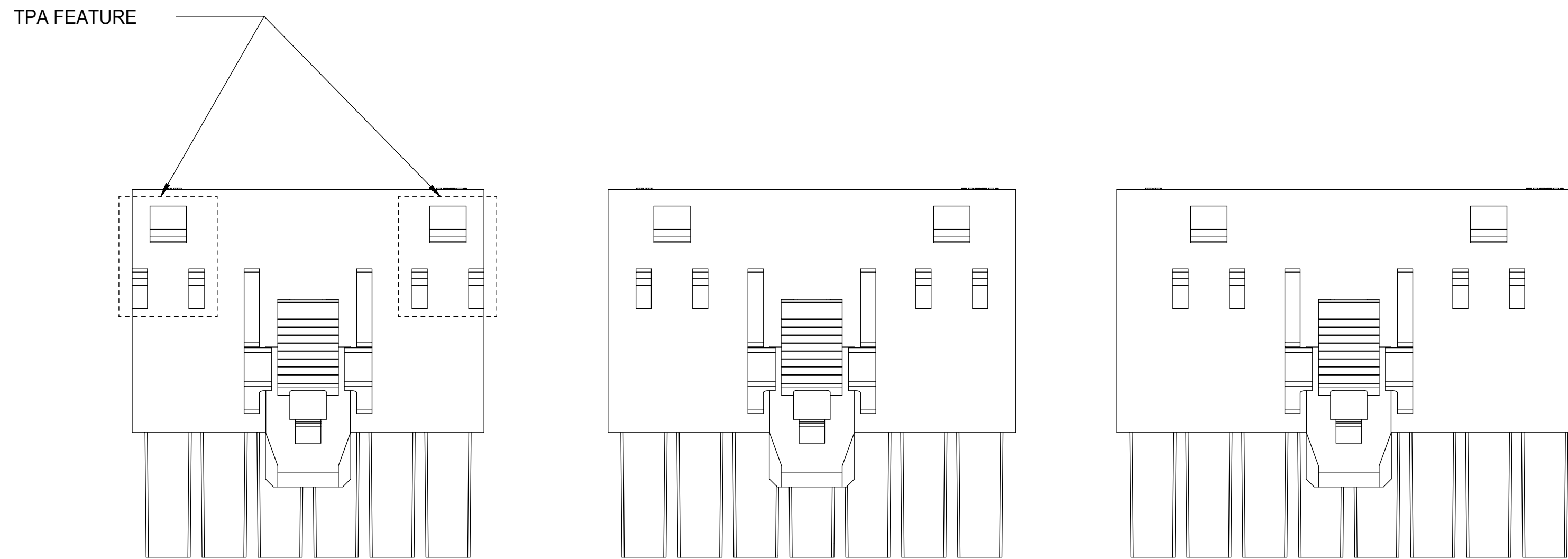


- NOTES:
1. MATERIAL :
OPTION 1: NYLON UL94 V-O BLACK
OPTION 2: NYLON UL94 V-O NATURAL
 2. PARTS TO BE PACKAGED PER PK-172323-0010
 3. PRODUCT SPECIFICATION PS-172323-0001
 4. PART MATES WITH MOLEX R/A HEADER ASSEMBLY 172310 AND VERTICAL HEADER ASSEMBLY 172286, 172287 SERIES.
 5. TO USE WITH 172253 SERIES TERMINALS
 6. TO USE WITH 172264 TPA
 7. PARTS CONFORM TO CLASS "B" REQUIREMENTS OF COSMETIC SPECIFICATION PS-45499-002
 8. APPLICATION SPECIFICATION AS-172323-0001

| | | | | | | | | |
|---|---|-----------------|--|------------------------|---|----------|-----------------|--------------|
| QUALITY SYMBOLS F = 0 E = 0 D = 0 C = 0 B = 0 A = 0 A7 | THIS DRAWING CONTAINS INFORMATION THAT IS PROPRIETARY TO MOLEX ELECTRONIC TECHNOLOGIES, LLC AND SHOULD NOT BE USED WITHOUT WRITTEN PERMISSION | | | | <p>molex[®]</p> <p>ULTRA-FIT RECEPTACLE 2-8 CKTS SINGLE ROW</p> <p>PRODUCT CUSTOMER DRAWING</p> | | | |
| | 2016/03/31 | 2016/03/31 | GENERAL TOLERANCES (UNLESS SPECIFIED) | DIMENSION UNITS | SCALE | DRWN BY | DATE | |
| | EC NO: 103949 DRWN: PPerez03 CHKD: REV: APPR: RHODGE | ANGULAR TOL ± ° | | MM | 4:1 | DROSCA | 2014/03/06 | |
| | | 4 PLACES ± | DRAFT WHERE APPLICABLE MUST REMAIN WITHIN DIMENSIONS | 3 PLACES ± | CHKD BY | DATE | | |
| | | 2 PLACES ± 0.25 | | 1 PLACES ± 0.5 | APP R BY | DATE | | |
| | 0 PLACES ± | | 0 PLACES ± | JCOMERCI | 2014/04/24 | SERIES | MATERIAL NUMBER | |
| | | | DRAWING SIZE | THIRD ANGLE PROJECTION | 172256 | CUSTOMER | | |
| | | | D | THIRD ANGLE PROJECTION | DOCUMENT NUMBER | DOC TYPE | DOC PART | SHEET NUMBER |
| | | | | | SD-172256-0001 | PSD | 000 | 1 OF 2 |



2 CKT 3 CKT 4 CKT 5 CKT



6 CKT 7 CKT 8 CKT

TPA LATCH OPTION

| WITH TPA ATTACH FEATURE | | | | | |
|-------------------------|-----|---------|--------------|------------|-------|
| PART NO. | UL | COLOR | CIRCUIT SIZE | KEY OPTION | DIM B |
| 172256-1102 | V-0 | BLACK | 2 | KEY A | 8.00 |
| 172256-1103 | V-0 | BLACK | 3 | KEY A | 11.50 |
| 172256-1104 | V-0 | BLACK | 4 | KEY A | 15.00 |
| 172256-1105 | V-0 | BLACK | 5 | KEY A | 18.50 |
| 172256-1106 | V-0 | BLACK | 6 | KEY A | 22.00 |
| 172256-1107 | V-0 | BLACK | 7 | KEY A | 25.50 |
| 172256-1108 | V-0 | BLACK | 8 | KEY A | 29.00 |
| 172256-2102 | V-0 | NATURAL | 2 | KEY B | 8.00 |
| 172256-2103 | V-0 | NATURAL | 3 | KEY B | 11.50 |
| 172256-2104 | V-0 | NATURAL | 4 | KEY B | 15.00 |
| 172256-2105 | V-0 | NATURAL | 5 | KEY B | 18.50 |
| 172256-2106 | V-0 | NATURAL | 6 | KEY B | 22.00 |
| 172256-2107 | V-0 | NATURAL | 7 | KEY B | 25.50 |
| 172256-2108 | V-0 | NATURAL | 8 | KEY B | 29.00 |

| | | | | | | | |
|---|---|--------------------------|--|-------|---|---|--|
| QUALITY SYMBOLS F = 0 E = 0 D = 0 C = 0 B = 0 A = 0 1 = 0 2 = 0 3 = 0 | THIS DRAWING CONTAINS INFORMATION THAT IS PROPRIETARY TO MOLEX ELECTRONIC TECHNOLOGIES, LLC AND SHOULD NOT BE USED WITHOUT WRITTEN PERMISSION | | | | GENERAL TOLERANCES (UNLESS SPECIFIED) DIMENSION UNITS: MM SCALE: 4:1 | | ULTRA-FIT RECEPTACLE 2-8 CKTS SINGLE ROW PRODUCT CUSTOMER DRAWING |
| | DRWN BY: PPEREZ03 CHKD: RHODGE REV APPR: | 2016/03/31 2016/03/31 | DRWN BY: DROSCA DATE: 2014/03/06 CHKD BY: | DATE: | APPR BY: JCOMERCI DATE: 2014/04/24 | SERIES: 172256 MATERIAL NUMBER: SD-172256-0001 CUSTOMER: GENERAL MARKET | |
| | 4 PLACES ± 3 PLACES ± 2 PLACES ± 0.25 1 PLACE ± 0.5 0 PLACES ± | | DRAFT WHERE APPLICABLE MUST REMAIN WITHIN DIMENSIONS | | DRAWING SIZE: D THIRD ANGLE PROJECTION | DOCUMENT NUMBER: PSD DOC PART: 000 SHEET NUMBER: 2 OF 2 | |
| | EC NO: 103949 DRWN: PPEREZ03 CHKD: RHODGE REV APPR: | | A7 | | | | |