

Excellent Integrated System Limited

Stocking Distributor

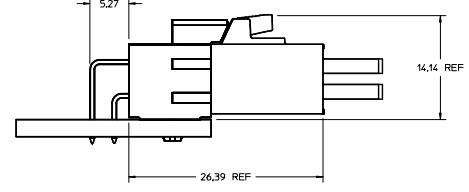
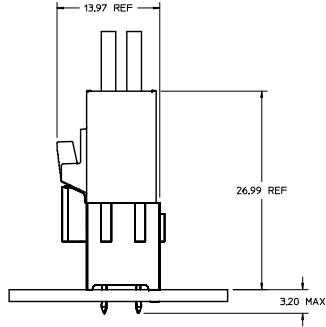
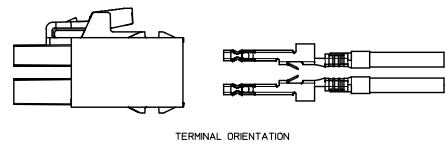
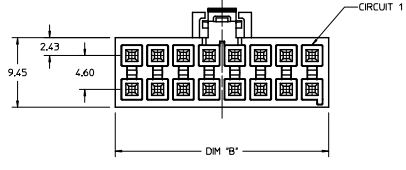
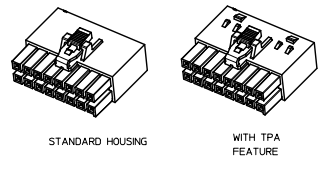
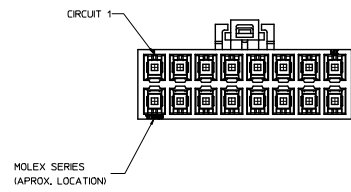
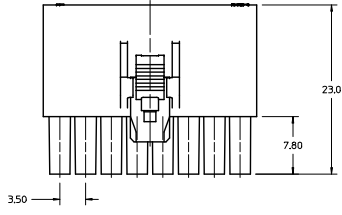
Click to view price, real time Inventory, Delivery & Lifecycle Information:

[Molex Connector Corporation](#)
[1722581010](#)

For any questions, you can email us directly:

sales@integrated-circuit.com

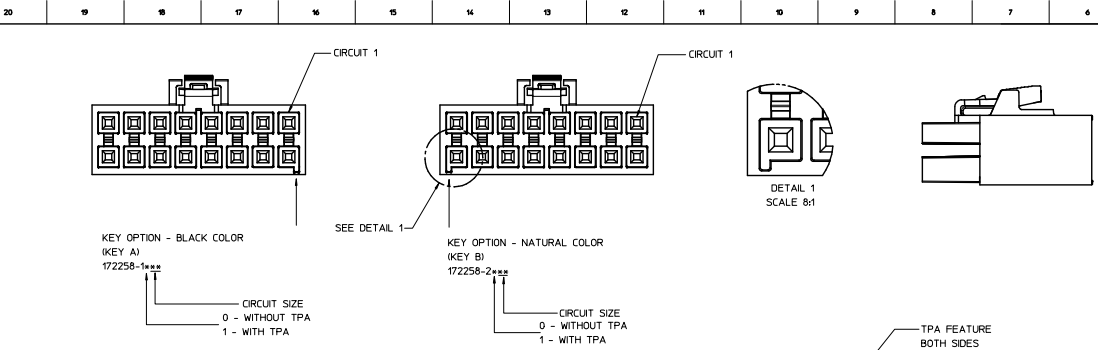
20 19 18 17 16 15 14 13 12 11 10 9 8 7 6 5 4 3 2 1



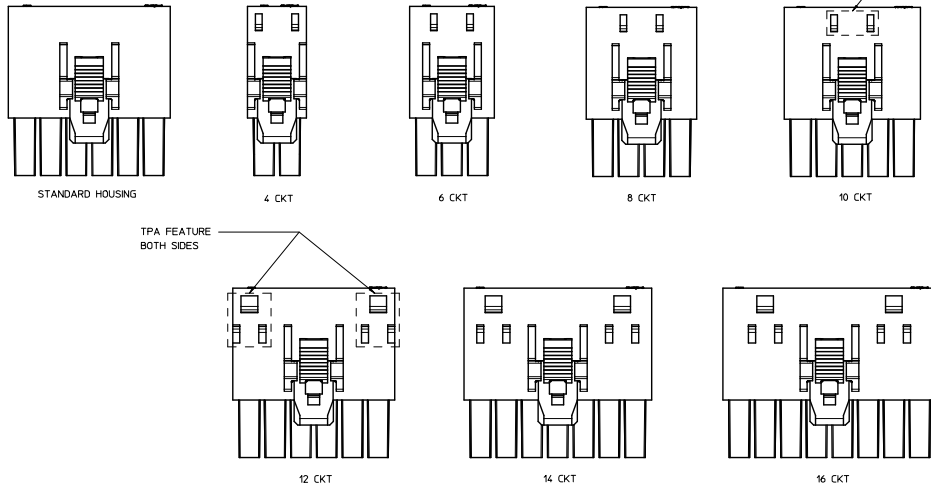
- NOTES:
- MATERIAL :
OPTION 1: PA4T NYLON V-0 BLACK
OPTION 2: PA4T NYLON V-0 NATURAL
 - PARTS TO BE PACKAGED PER PK-172323-0010
 - PRODUCT SPECIFICATION PS-172323-0001
 - PART MATES WITH MOLEX R/A HEADER ASSEMBLY 172316 AND VERTICAL HEADER ASSEMBLY 172298, 172299 SERIES.
 - TO USE WITH TERMINAL 172253 SERIES
 - TO USE WITH 172264 TPA
 - PARTS CONFORM TO CLASS 'B' REQUIREMENTS OF COSMETIC SPECIFICATION PS-45499-002
 - APPLICATION SPECIFICATION: AS-172323-0001

X-RELEASE EC NO. LUP2015-403 DRAWN/DROSLA CHKD: APPR/PHOGE REV:	2015/01/14	2015/01/15	QUALITY SYMBOLS	GENERAL TOLERANCES (UNLESS SPECIFIED)	DRWENSON STYLE	SCALE	DESIGN UNITS	THIRD ANGLE PROJECTION
			4 PLACES ±0 3 PLACES ±0 2 PLACES ±0.25 1 PLACE ±0.5 0 PLACE ±	mm INCH +--- ±--- +--- ±--- +--- ±--- +--- ±--- +--- ±---	MM ONLY	4:1	METRIC	DRAWN BY DATE DROSLA 2014/03/07 CHECKED BY DATE APPROVED BY DATE RHODGE 2014/10/14
			ANGULAR ±1/2° DRAFT WHERE APPLICABLE MUST REMAIN WITHIN DIMENSIONS	MATERIAL NO. SEE CHART SIZE D THIS DRAWING CONTAINS INFORMATION THAT IS PROPRIETARY TO MOLEX INCORPORATED AND SHOULD NOT BE USED WITHOUT WRITTEN PERMISSION	TITLE ULTRA-FIT RECEPTACLE 4-16 CKTS DUAL ROW			
	A6							

IS:Frame_0_P_Alt.T Rev. 5 2015/01/15



STANDARD HOUSING					
PART NO.	UL	COLOR	CIRCUIT SIZE	KEY OPTION	DM B
172258-1004	V-0	BLACK	4	KEY A	8.00
172258-1006	V-0	BLACK	6	KEY A	11.50
172258-1008	V-0	BLACK	8	KEY A	15.00
172258-1010	V-0	BLACK	10	KEY A	18.50
172258-1012	V-0	BLACK	12	KEY A	22.00
172258-1014	V-0	BLACK	14	KEY A	25.50
172258-1016	V-0	BLACK	16	KEY A	29.00
172258-2004	V-0	NATURAL	4	KEY B	8.00
172258-2006	V-0	NATURAL	6	KEY B	11.50
172258-2008	V-0	NATURAL	8	KEY B	15.00
172258-2010	V-0	NATURAL	10	KEY B	18.50
172258-2012	V-0	NATURAL	12	KEY B	22.00
172258-2014	V-0	NATURAL	14	KEY B	25.50
172258-2016	V-0	NATURAL	16	KEY B	29.00



WITH TPA ATTACH FEATURE					
PART NO.	UL	COLOR	CIRCUIT SIZE	KEY OPTION	DM B
172258-1104	V-0	BLACK	4	KEY A	8.00
172258-1106	V-0	BLACK	6	KEY A	11.50
172258-1108	V-0	BLACK	8	KEY A	15.00
172258-1110	V-0	BLACK	10	KEY A	18.50
172258-1112	V-0	BLACK	12	KEY A	22.00
172258-1114	V-0	NATURAL	14	KEY A	25.50
172258-1116	V-0	BLACK	16	KEY A	29.00
172258-2104	V-0	NATURAL	4	KEY B	8.00
172258-2106	V-0	NATURAL	6	KEY B	11.50
172258-2108	V-0	NATURAL	8	KEY B	15.00
172258-2110	V-0	NATURAL	10	KEY B	18.50
172258-2112	V-0	NATURAL	12	KEY B	22.00
172258-2114	V-0	NATURAL	14	KEY B	25.50
172258-2116	V-0	NATURAL	16	KEY B	29.00



TPA LATCH OPTION

<p>SEE PAGE 1 EC NO. UC2705-403 DRAWN/DROSLA 2015/01/14 CHKD. RHODGE APPROVED BY DATE 2015/01/15</p>	QUALITY SYMBOLS	GENERAL TOLERANCES (UNLESS SPECIFIED)	DIMENSION STYLE	SCALE	DESIGN UNITS	THIRD ANGLE PROJECTION																		
	<p>∇=0 ∇=0 ∇=0</p>	<table border="1"> <tr><th></th><th>mm</th><th>INCH</th></tr> <tr><td>4 PLACES</td><td>±.005</td><td>±.0004</td></tr> <tr><td>3 PLACES</td><td>±.008</td><td>±.0003</td></tr> <tr><td>2 PLACES</td><td>±0.025</td><td>±.0010</td></tr> <tr><td>1 PLACE</td><td>±0.5</td><td>±.0040</td></tr> <tr><td>0 PLACE</td><td>±.005</td><td>±.0002</td></tr> </table>		mm	INCH	4 PLACES	±.005	±.0004	3 PLACES	±.008	±.0003	2 PLACES	±0.025	±.0010	1 PLACE	±0.5	±.0040	0 PLACE	±.005	±.0002	MM ONLY	4:1	METRIC	☐
		mm	INCH																					
	4 PLACES	±.005	±.0004																					
3 PLACES	±.008	±.0003																						
2 PLACES	±0.025	±.0010																						
1 PLACE	±0.5	±.0040																						
0 PLACE	±.005	±.0002																						
<p>APPROVED BY DATE 2014/10/14</p>	<p>ANGULAR ±1/2°</p>	<p>DRAWN BY DATE 2014/03/07</p> <p>CHECKED BY DATE</p> <p>APPROVED BY DATE</p> <p>RHODGE</p>	<p>SCALE 4:1</p> <p>DESIGN UNITS METRIC</p> <p>THIRD ANGLE PROJECTION</p>	<p>ULTRA-FIT RECEPTACLE 4-16 CKTS DUAL ROW</p>	<p>molex</p>	<p>SHEET NO. 2 OF 2</p>																		
<p>SEE PAGE 1</p>	<p>DRAFT WHERE APPLICABLE MUST REMAIN WITHIN DIMENSIONS</p>	<p>SIZE D</p>	<p>THIS DRAWING CONTAINS INFORMATION THAT IS PROPRIETARY TO MOLEX INCORPORATED AND SHOULD NOT BE USED WITHOUT WRITTEN PERMISSION</p>	<p>DOCUMENT NO. SD-172258-0001</p>	<p>molex</p>	<p>SHEET NO. 2 OF 2</p>																		