

Excellent Integrated System Limited

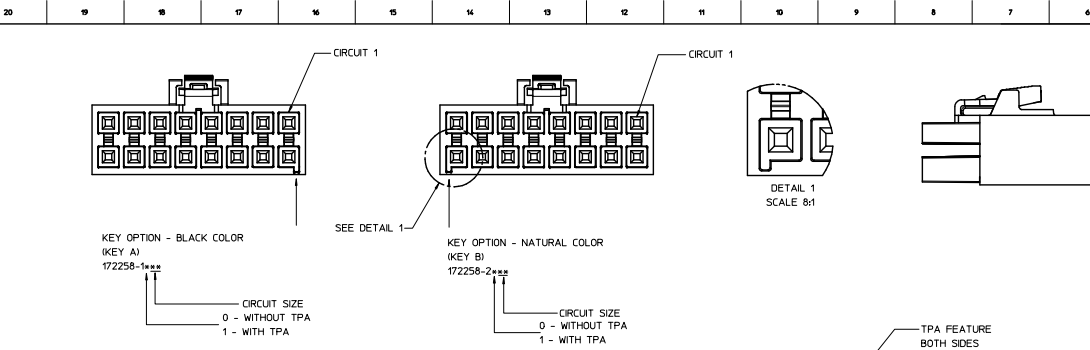
Stocking Distributor

Click to view price, real time Inventory, Delivery & Lifecycle Information:

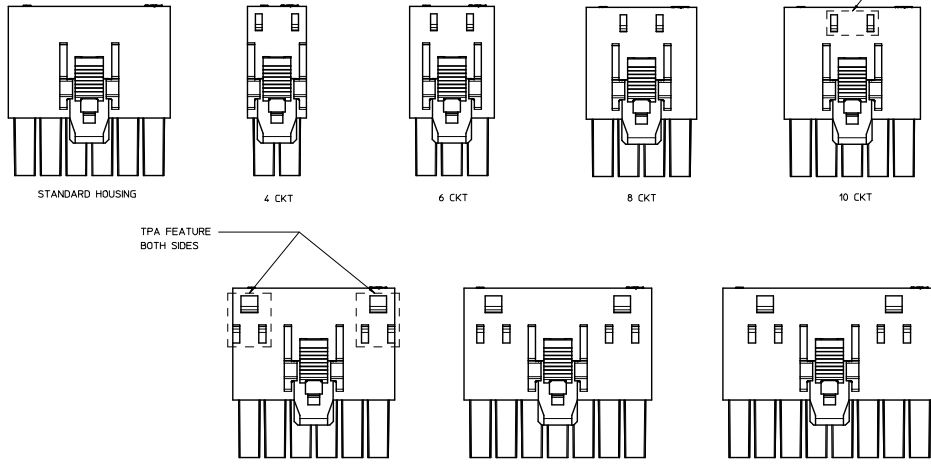
[Molex Connector Corporation](#)
[1722582016](#)

For any questions, you can email us directly:

sales@integrated-circuit.com



STANDARD HOUSING					
PART NO.	UL	COLOR	CIRCUIT SIZE	KEY OPTION	DM B
172258-1004	V-0	BLACK	4	KEY A	8.00
172258-1006	V-0	BLACK	6	KEY A	11.50
172258-1008	V-0	BLACK	8	KEY A	15.00
172258-1010	V-0	BLACK	10	KEY A	18.50
172258-1012	V-0	BLACK	12	KEY A	22.00
172258-1014	V-0	BLACK	14	KEY A	25.50
172258-1016	V-0	BLACK	16	KEY A	29.00
172258-2004	V-0	NATURAL	4	KEY B	8.00
172258-2006	V-0	NATURAL	6	KEY B	11.50
172258-2008	V-0	NATURAL	8	KEY B	15.00
172258-2010	V-0	NATURAL	10	KEY B	18.50
172258-2012	V-0	NATURAL	12	KEY B	22.00
172258-2014	V-0	NATURAL	14	KEY B	25.50
172258-2016	V-0	NATURAL	16	KEY B	29.00



WITH TPA ATTACH FEATURE					
PART NO.	UL	COLOR	CIRCUIT SIZE	KEY OPTION	DM B
172258-1104	V-0	BLACK	4	KEY A	8.00
172258-1106	V-0	BLACK	6	KEY A	11.50
172258-1108	V-0	BLACK	8	KEY A	15.00
172258-1110	V-0	BLACK	10	KEY A	18.50
172258-1112	V-0	BLACK	12	KEY A	22.00
172258-1114	V-0	NATURAL	14	KEY A	25.50
172258-1116	V-0	BLACK	16	KEY A	29.00
172258-2104	V-0	NATURAL	4	KEY B	8.00
172258-2106	V-0	NATURAL	6	KEY B	11.50
172258-2108	V-0	NATURAL	8	KEY B	15.00
172258-2110	V-0	NATURAL	10	KEY B	18.50
172258-2112	V-0	NATURAL	12	KEY B	22.00
172258-2114	V-0	NATURAL	14	KEY B	25.50
172258-2116	V-0	NATURAL	16	KEY B	29.00

TPA LATCH OPTION

SEE PAGE 1 EC NO. UC2705-403 DRAWN/DROSLA CHCK. A6 APPROVED DATE 2015/01/15	QUALITY SYMBOLS	GENERAL TOLERANCES (UNLESS SPECIFIED)	DIMENSION STYLE	SCALE	DESIGN UNITS	THIRD ANGLE PROJECTION
	∇=0 ∇=0 ∇=0	mm INCH 4 PLACES ±--- ±--- 3 PLACES ±--- ±--- 2 PLACES ±0.25 ±--- 1 PLACE ±0.5 ±--- 0 PLACE ±--- ±---	mm ONLY DRAWN BY DATE DROSLA 2014/03/07 CHECKED BY DATE APPROVED BY DATE RHODGE 2014/10/14 MATERIAL NO.	4:1	METRIC	ULTRA-FIT RECEPTACLE 4-16 CKTS DUAL ROW
	ANGULAR ±1/2° DRAFT WHERE APPLICABLE MUST REMAIN WITHIN DIMENSIONS	SEE PAGE 1 SIZE D THIS DRAWING CONTAINS INFORMATION THAT IS PROPRIETARY TO MOLEX INCORPORATED AND SHOULD NOT BE USED WITHOUT WRITTEN PERMISSION	DOCUMENT NO. SD-172258-0001	SHEET NO. 2 OF 2		
	molex					