

Excellent Integrated System Limited

Stocking Distributor

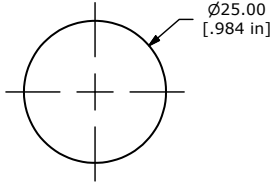
Click to view price, real time Inventory, Delivery & Lifecycle Information:

[E-Switch](#)
[PV8F2T0SS-355](#)

For any questions, you can email us directly:

sales@integrated-circuit.com

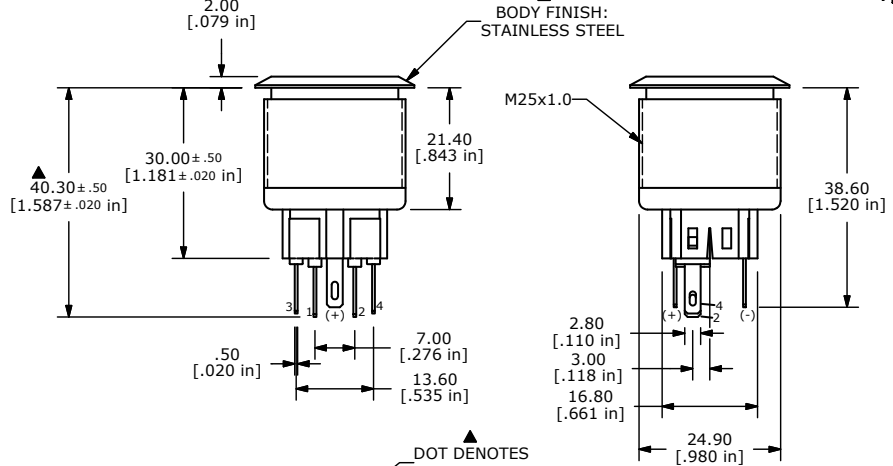
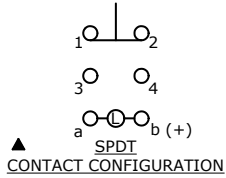
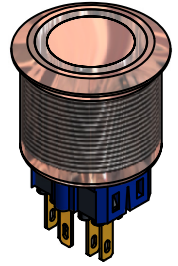
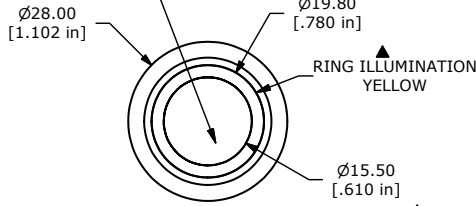
SHEET 1 OF 1



PANEL CUTOUT
 MAX. PANEL THICKNESS 10mm

SWITCH FUNCTION	
POS. 1	POS. 2
1-2	3-4

ACTUATOR FINISH:
 STAINLESS STEEL



- NOTE:
1. ALL DIMENSIONS IN MM [INCH]
 2. GENERAL TOLERANCE: X.X = ± 0.4
 X.XX = ± 0.25
 3. TERMINAL NOS. FOR REF. ONLY
 4. FUNCTION: SPDT
 5. RATING: 2A @ 48VDC
 6. ILLUMINATION VOLTAGE: 24 V
 7. CONTACT RESISTANCE: 50mΩ MAX. @ 1A 12VDC
 8. INSULATION RESISTANCE: 1,000MΩ @ 500VDC
 9. DIELECTRIC STRENGTH: 2,000VAC MIN. FOR 1 MINUTE
 10. ELECTRICAL LIFE: 50,000 CYCLES
 11. OPERATING TEMPERATURE: -20°C TO 70°C
 12. INGRESS PROTECTION: IP65
 13. SUPPLIED HARDWARE: O-RING AND HEXNUT
 13. ▲DENOTES CRITICAL PARAMETER
 13. 2002/95/EC (ROHS) COMPLIANT
 - ▲14. ILLUMINATION COLOR: YELLOW (FORWARD), YELLOW(REVERSE)

TITLE PV8F2T0SS-355				
SCALE 1:1	DATE 11/21/2014	DR RC	DWG 52-PV8F2T0SS355	REV A

A	21725	RELEASE FOR PRODUCTION	11/21/14	rc
REV	PCR NO	DESCRIPTION	DATE	BY

THE INFORMATION CONTAINED IN THIS DOCUMENT IS PROPRIETARY TO E-SWITCH AND IS NOT TO BE COPIED OR TRANSFERRED