

## Excellent Integrated System Limited

Stocking Distributor

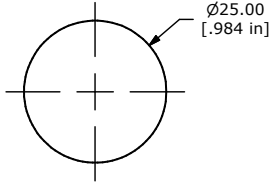
Click to view price, real time Inventory, Delivery & Lifecycle Information:

[E-Switch](#)  
[PV8F2Y0SS-314](#)

For any questions, you can email us directly:

[sales@integrated-circuit.com](mailto:sales@integrated-circuit.com)

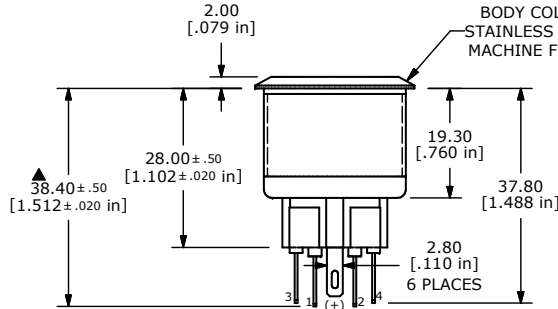
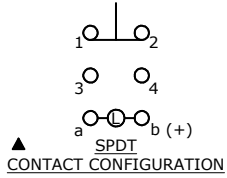
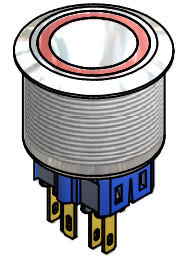
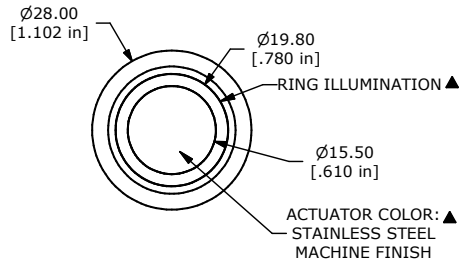
SHEET 1 OF 1



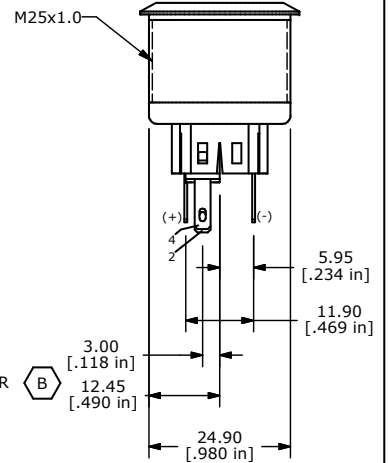
PANEL CUTOUT  
 MAX. PANEL THICKNESS 10mm

SWITCH FUNCTION ▲	
POS. 1	POS. 2
ON	(ON)
1-2	3-4

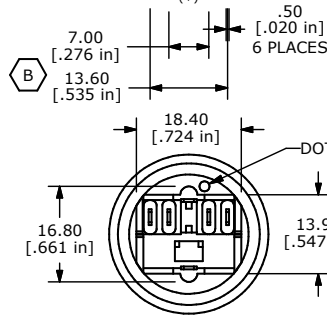
(ON) = MOMENTARY



BODY COLOR: ▲  
 STAINLESS STEEL  
 MACHINE FINISH



- NOTE:
1. ALL DIMENSIONS IN MM [INCH]
  2. GENERAL TOLERANCE: X.X = ± 0.4  
X.XX = ± 0.25
  3. TERMINAL NOS. FOR REF. ONLY
  4. FUNCTION: SPDT
  5. RATING: 2A @ 48VDC
  6. ILLUMINATION VOLTAGE: 12 V
  7. CONTACT RESISTANCE: 50mΩ MAX. @ 1A 12VDC
  8. INSULATION RESISTANCE: 1,000MΩ @ 500VDC
  9. DIELECTRIC STRENGTH: 2,000VAC MIN. FOR 1 MINUTE
  10. ELECTRICAL LIFE: 50,000 CYCLES
  11. OPERATING TEMPERATURE: -20°C TO 55°C (B)
  12. INGRESS PROTECTION: IP65
  13. ▲ DENOTES CRITICAL PARAMETER
  13. 2011/65/EU (ROHS) COMPLIANT
  14. ILLUMINATION COLOR: RED (FORWARD), RED (REVERSE)



B	20835	50°C WAS 70°C, ADD TERMINAL DIMS	10/19/12	EBP
A	20180	RELEASE FOR PRODUCTION	9/27/11	BGL
REV	PCR NO	DESCRIPTION	DATE	BY

TITLE PV8F2Y0SS-314				
SCALE 1:1	DATE 9/27/2011	DR BGL	DWG 52-PV8F2Y0SS314	REV B

THE INFORMATION CONTAINED IN THIS DOCUMENT IS PROPRIETARY TO E-SWITCH AND IS NOT TO BE COPIED OR TRANSFERRED