

## Excellent Integrated System Limited

Stocking Distributor

Click to view price, real time Inventory, Delivery & Lifecycle Information:

[Molex Connector Corporation](#)  
[0436400901](#)

For any questions, you can email us directly:

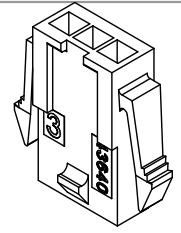
[sales@integrated-circuit.com](mailto:sales@integrated-circuit.com)

ASSEMBLY ITEM NUMBER	PART CHARACTERISTICS NUMBER OF POSITION
43640-0200	02
43640-0300	03
43640-0400	04
43640-0500	05
43640-0600	06
43640-0700	07
43640-0800	08
43640-0900	09
43640-1000	10
43640-1100	11
43640-1200	12

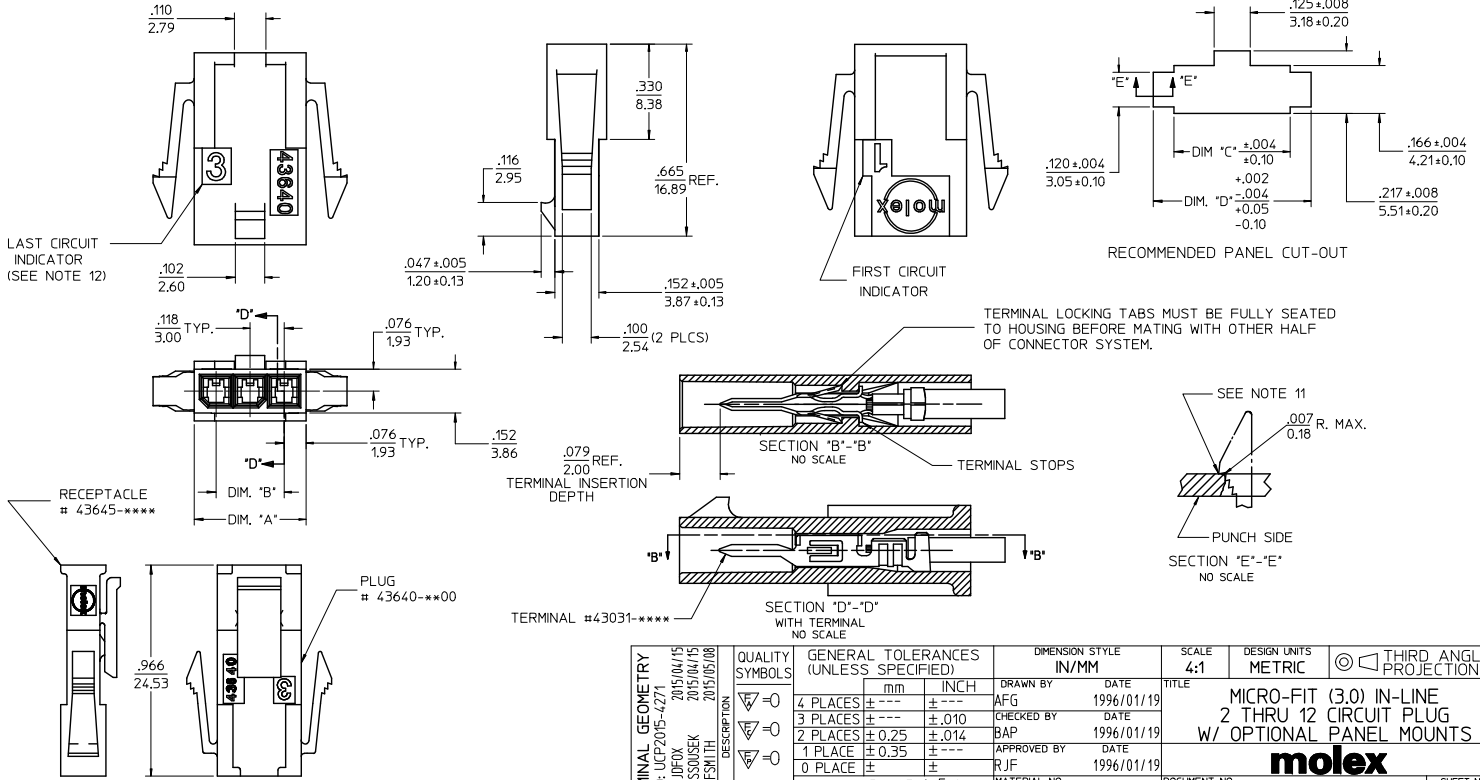
CKT. NO.	DIM. 'A'	DIM. 'B'	DIM. 'C'	DIM. 'D'
2	.270/6.85	.118/3.00	.284/7.21	.429/10.90
3	.388/9.85	.236/6.00	.402/10.21	.547/13.89
4	.506/12.85	.354/9.00	.520/13.21	.665/16.89
5	.624/15.85	.472/12.00	.638/16.21	.783/19.89
6	.742/18.85	.591/15.00	.756/19.21	.901/22.89
7	.860/21.85	.709/18.00	.874/22.20	1.019/25.88
8	.978/24.85	.827/21.00	.992/25.20	1.137/28.88
9	1.096/27.85	.945/24.00	1.110/28.20	1.255/31.88
10	1.215/30.85	1.063/27.00	1.229/31.22	1.373/34.87
11	1.333/33.85	1.181/30.00	1.347/34.22	1.491/37.87
12	1.451/36.85	1.299/33.00	1.465/37.22	1.609/40.87

NOTES:

- HOUSING MATERIAL: UNFILLED NYLON, RATED UL94V-0 COLOR IS BLACK. (HALOGEN-FREE)
- FINISH: NONE
- PRODUCT SPECIFICATION: PS-43650
- PACKAGING SPECIFICATION: PK-43640-003
- THIS HOUSING MATES WITH MICRO-FIT RECEPTACLE #43645-\*\*\*\*.
- THIS HOUSING IS DESIGNED IN METRIC
- THIS HOUSING TO BE USED WITH MOLEX MALE TERMINAL #43031-\*\*\*\*.
- PLUG DESIGNED FOR .062/1.57 TO .090/2.30 THICK STAMPED PANEL OR PRINTED CIRCUIT BOARD.
- SEE SECTION "D"-D" FOR TERMINAL ORIENTATION IN HOUSING.
- SEE SHEET 2 FOR PLUG WITHOUT PANEL MOUNTS.
- PANEL MOUNT FEATURES MUST LOCK ON SIDE OPPOSITE PUNCH SIDE FOR OPTIMUM RETENTION.
- LAST CIRCUIT INDICATOR IS NOT PRESENT ON 2 CIRCUIT HOUSING.
- THIS PART CONFORMS TO CLASS B REQUIREMENTS OF COSMETIC SPECIFICATION PS-45499-002.



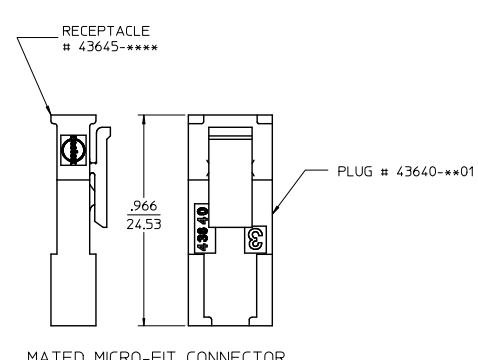
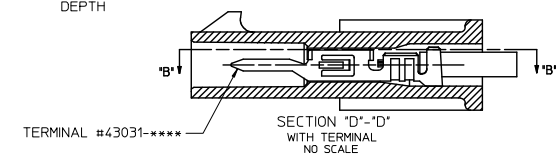
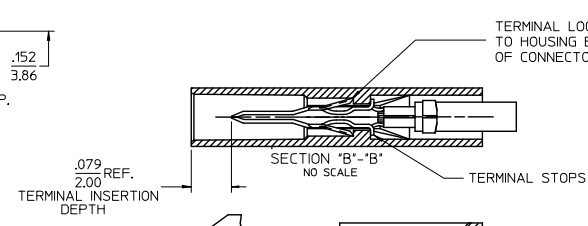
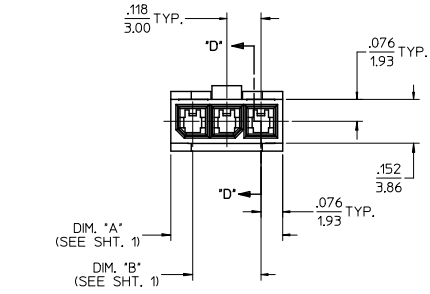
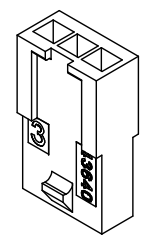
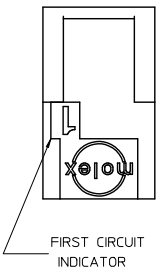
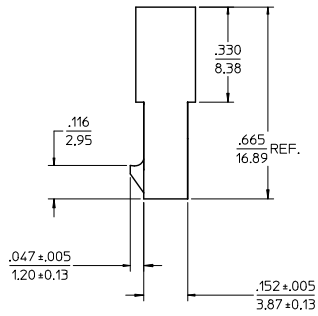
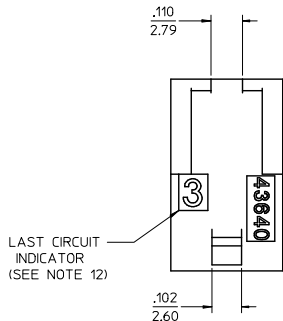
PLUG WITH PANEL MOUNTS



MATED MICRO-FIT CONNECTOR

TERMINAL GEOMETRY	QUALITY SYMBOLS	GENERAL TOLERANCES (UNLESS SPECIFIED)		DIMENSION STYLE		SCALE	DESIGN UNITS	THIRD ANGLE PROJECTION
		mm	INCH	IN/MM	DATE			
EC NO: UCP2015-4271	DESCRIPTION	4 PLACES ± .010	± .010	DRAWN BY	1996/01/19	4:1	METRIC	MICRO-FIT (3.0) IN-LINE 2 THRU 12 CIRCUIT PLUG W/ OPTIONAL PANEL MOUNTS
DRW: DPOX	2015/04/15	3 PLACES ± 0.25	± .014	CHECKED BY	DATE			
CHK: J300SEK	2015/04/15	2 PLACES ± 0.35	± .014	BAP	1996/01/19			
APP: RSMTH	2015/05/08	1 PLACE ± 0.35	± .014	APPROVED BY	DATE			
F5	REV	0 PLACE ±	±	RJF	1996/01/19	MATERIAL NO.	DOCUMENT NO.	SHEET NO.
		ANGULAR ± 5 °		SEE CHART		SD-43640-****		1 OF 2
		DRAFT WHERE APPLICABLE MUST REMAIN WITHIN DIMENSIONS		THIS DRAWING CONTAINS INFORMATION THAT IS PROPRIETARY TO MOLEX INCORPORATED AND SHOULD NOT BE USED WITHOUT WRITTEN PERMISSION				

ASSEMBLY ITEM NUMBER	PART CHARACTERISTICS NUMBER OF POSITION
43640-0201	02
43640-0301	03
43640-0401	04
43640-0501	05
43640-0601	06
43640-0701	07
43640-0801	08
43640-0901	09
43640-1001	10
43640-1101	11
43640-1201	12



TERMINAL GEOMETRY	QUALITY SYMBOLS	GENERAL TOLERANCES (UNLESS SPECIFIED)		DIMENSION STYLE		SCALE	DESIGN UNITS	THIRD ANGLE PROJECTION
		mm	INCH	IN/MM				
4 PLACES ±.010	▽=0	±.010	±.010	DRAWN BY	DATE	4:1	METRIC	MICRO-FIT (3.0) IN-LINE 2 THRU 12 CIRCUIT PLUG W/ OPTIONAL PANEL MOUNTS
3 PLACES ±.010	▽=0	±.010	±.010	AFG	1996/01/19			
2 PLACES ±.025	▽=0	±.025	±.014	CHECKED BY	DATE			
1 PLACE ±.035	▽=0	±.035	±.014	BAP	1996/01/19			
0 PLACE ±	▽=0	±	±	APPROVED BY	DATE	MATERIAL NO.		DOCUMENT NO. SD-43640-****
ANGULAR ± 5°				RJF	1996/01/19	SHEET NO. 2 OF 2		
DRAFT WHERE APPLICABLE MUST REMAIN WITHIN DIMENSIONS		SEE CHART		THIS DRAWING CONTAINS INFORMATION THAT IS PROPRIETARY TO MOLEX INCORPORATED AND SHOULD NOT BE USED WITHOUT WRITTEN PERMISSION				