

Excellent Integrated System Limited

Stocking Distributor

Click to view price, real time Inventory, Delivery & Lifecycle Information:

[Amphenol Commercial Products](#)
[12401562E4#2A](#)

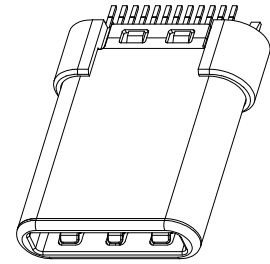
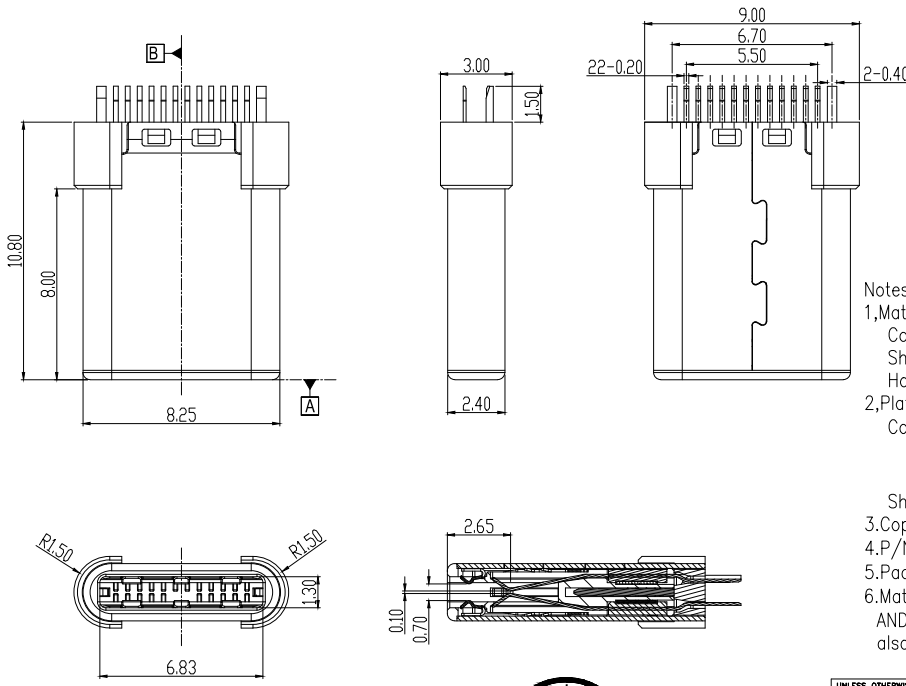
For any questions, you can email us directly:

sales@integrated-circuit.com

This document is the property of Amphenol Corporation and is delivered on the express condition that it is not to be disseminated, reproduced or used, in whole or in part, for manufacture or sale by anyone other than Amphenol Corporation without its prior consent. All rights are granted in discrete or to use any information in this document.

REVISONS		DATE	APPROVED
SYM	ECN	DESCRIPTION	
A	1411****	NEW RELEASE	Tom

REFERENCE DRAWING



- Notes:
- Material :
 - Contacts : copper alloy
 - Shell : stainless steel
 - Housing : LCP polymer UL94V-0, black.
 - Plating :
 - Contacts : contact area 30u" Au, solder tail 100u" Matte Tin, all area 50u" Nickel plating.
 - Shell : Nickel Plating
 - Coplanarity : 0.08Max.
 - P/N : C12401562E4#2A.
 - Packaging type: carrier tape.
 - Material should be fulfilled Amphenol spec# SSN002 AND Customer Requirements, for halogen free products, also need to meet SSN004



UNLESS OTHERWISE SPECIFIED TOLERANCES		APPROVAL	DATE
U.S.	METRIC	DRAWN	Saon.Zheng 12/17/14
.X	+/-	CHECKED	Welson.Liu 12/17/14
.XX	+/-	CHECKED	
.XXX	+/-		
FRACTIONS			
ANGLES	+/-		
FOR MATERIALS AND FINISHES SEE NOTES		DRAWING FILE :	
REMOVE SHARP EDGES		ANGLE OF PROJECTION	
DIMENSIONS		TITLE	
U.S.	INCHES-	USB TYPE C PLUG	
(METRIC)	(MM)	SIZE	DRAWING NO.
		A3	12401562E4#2A
		SCALE	NONE
		SHEET	1 OF 1
		REV.	A