

Excellent Integrated System Limited

Stocking Distributor

Click to view price, real time Inventory, Delivery & Lifecycle Information:

[LEMO](#)
[HEN.2F.319.XLLPY](#)

For any questions, you can email us directly:

sales@integrated-circuit.com

HEN.2F.319.XLLPY

SUMMARY

Wires

Low	19
High	0
Coax	0
Triax	0
Quad	0
Fiber	0
Fluidic	0



Download

[Request a quote](#)

[Catalog](#)

Series	2F
Termination type	
IP rating	68
Cable Ø	0.00 - 0.00 mm
Matching parts	xxx

TECHNICAL DETAILS

Mechanics

Shell Style/Model	HE*: Fixed receptacle, nut fixing, for printed circuit (back panel mounting)
Keying	3 keys (beta=165, gamma=30, plug: male contacts, receptacle: female contacts)
Housing Material	Environment friendly aluminium (nickel plated, anthracite color) shell and nut, other pieces bronze/brass
Cable Fixing	∅0 - 0 mm
Variant	P : Watertight

Performance

Configuration	2F.319 : 19 Low Voltage
Insulator	L: PEEK (UL 94 / V-0/3.2, depends on material thickness)
Rated Current	5 Amps

Specifications

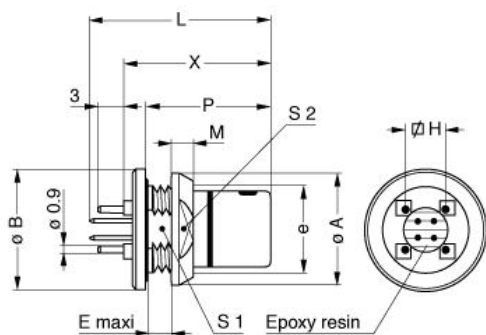
Contact Type:	Solder
Max. Matings:	5000
Contact Dia.:	0.7 mm (0.028in)
Bucket Dia.:	0.8 mm (0.031in)
Max. Solid Conductor:	0.34 mm ² (AWG 22)
Max. Stranded Conductor:	0.34 mm ² (AWG 22)
R (max):	6.1 mOhm

Others

Endurance (Shell): 1000 mating cycles
 Temp (min / max): -15°C / +100°C
 Humidity (max): <=95% [at 60 deg C /140 F]
 Vibration: 15 g [10 Hz - 2000 Hz]
 Shock Resistance: 100 g [6 ms]
 Climatrical Category: 15/200/21 (Aluminium shell)
 Pressure: 5 bars
 IP Rating: 68

DRAWINGS

Draws



Dimensions



	A	B	E	H	L	M	P	S1	S2	X	e
mm.	20	20	3	8.89	21.6	4	14.5	14.5	17	16.5	M16x1.0
in.	0,79	0,79	0,12	0,35	0,85	0,16	0,57	0,57	0,67	0,65	



RECOMMENDED BY LEMO

Tools

None

Cables

CMN.19.T22.079QGZE	TPR (medical)	Grey	
CMN.19.T22.080PGCE	PVC	GREY	

CMN.19.T22.080PGZE		Grey	
CMN.19.T22.080PNCE	PVC	Black	
CMN.19.T22.080PNZE			