

Excellent Integrated System Limited

Stocking Distributor

Click to view price, real time Inventory, Delivery & Lifecycle Information:

[LEMO](#)
[PKG.M0.2GL.LZ](#)

For any questions, you can email us directly:
sales@integrated-circuit.com

SUMMARY

Wires

Low	2
High	0
Coax	0
Triax	0
Quad	0
Fiber	0
Fluidic	0

Series	P
Termination type	Female solder
IP rating	50
Cable Ø	0.00 - 0.00 mm
Matching parts	PAG.M0.2GL.AC65G



Download

- [Request a quote](#)
- [Catalog](#)

TECHNICAL DETAILS

Mechanics

Shell Style/Model	PK*: Fixed receptacle with two nuts (back panel mounting)
Keying	1 key (alpha=0; Plug: male contact; Receptacle: female contact)
Housing Material	PSU (Polysulfone), gray
Cable Fixing	∅ 0 - 0 mm
Variant	Z : without front nut

Performance

Configuration	1P.M02 : 2 Low Voltage
Insulator	
Rated Current	10 Amps

Specifications

Contact Type:	Solder
Max. Matings:	2000
Contact Dia.:	1.3 mm (0.0512in)
Bucket Dia.:	1.1 mm (0.04in)
Max. Solid Conductor:	0.5 mm ² (AWG 20)
Max. Stranded Conductor:	0.5 mm ² (AWG 20)
R (max):	3.5 mOhm
Test voltage (kV rms) Contact-contact:	1.2

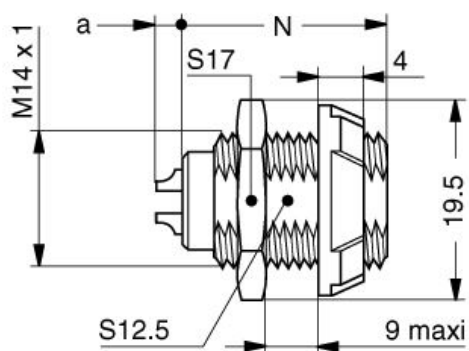
Air clearance min. (mm) or Creepage distance min. (mm): 1.3

Others

F ret (min): 50 N
 F ret (max): 150 N
 IP Rating: 50

DRAWINGS

Draws



Dimensions

	A	Lmax	N
mm.	19.5	25	22.2
in.	0,77	0,98	0,87

RECOMMENDED BY LEMO

Tools

None

Cables