

## **Excellent Integrated System Limited**

Stocking Distributor

Click to view price, real time Inventory, Delivery & Lifecycle Information:

[Bourns Inc.](#)  
[TEL-NOTEKIT-1](#)

For any questions, you can email us directly:

[sales@integrated-circuit.com](mailto:sales@integrated-circuit.com)

# BOURNS® TEL-NOTES

Mobile Broadband Power Supplies



## REMOTE RADIO HEAD DC POWER SUPPLY Overvoltage Protection for Mobile Broadband Infrastructure

### Objective

The DC supply to a remote radio head requires robust and extremely reliable surge protection. Sensitive electronics must be protected from severe overvoltage conditions. The Bourns® SMD Power TVS Diode offers bidirectional overvoltage protection for DC power supplies through a reliable clamping action.

### Solution

1 Power TVS (PTVS) Diode: PTVS3-076C-SH

### Features & Benefits

The highlighted device supports a standoff voltage of 76 V. Surge voltages are clamped at a low level above this voltage. The device is RoHS compliant\* and handles repeated surges with a peak of 3 kA (per IEC 61000-4-5, 8/20 μs). The reduced inductance of the SMD package leads results in superior clamping performance.

*Note: Additional voltage and current ratings are available.*

\*RoHS Directive 2002/95/EC Jan. 27, 2003 including annex and RoHS Recast 2011/65/EU June 8, 2011.

### Product

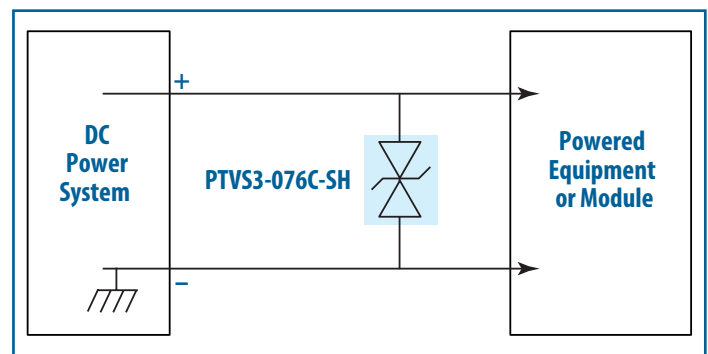


PTVS3-076C-SH

### Design Kit



TEL-NOTEKIT-1



*The schematic shown here illustrates the application protection and does not constitute the complete circuit design. Customers should verify actual device performance in their specific applications.*



For more information, go to:

[www.bourns.com](http://www.bourns.com)

or email: [protection@bourns.com](mailto:protection@bourns.com)

Americas: Tel +1-951 781-5500  
 Fax +1-951 781-5700

EMEA: Tel +36 88 520 390  
 Fax +36 88 520 211

Asia-Pacific: Tel +886-2 256 241 17  
 Fax +886-2 256 241 16

COPYRIGHT© 2015 • BOURNS, INC. • 05/15 • PSG • XX/K1537  
 "Bourns" is a registered trademarks of Bourns, Inc.  
 in the U.S. and other countries.