

Excellent Integrated System Limited

Stocking Distributor

Click to view price, real time Inventory, Delivery & Lifecycle Information:

[TE Connectivity AMP Connectors](#)
[520243-4](#)

For any questions, you can email us directly:

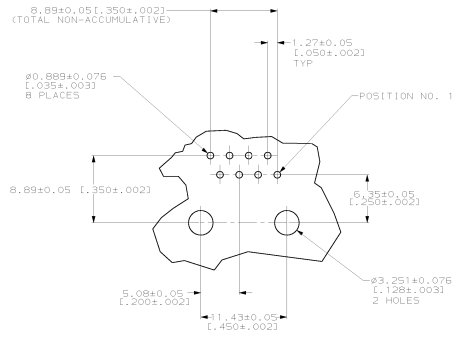
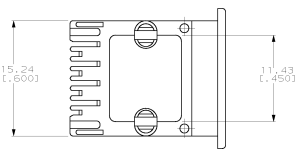
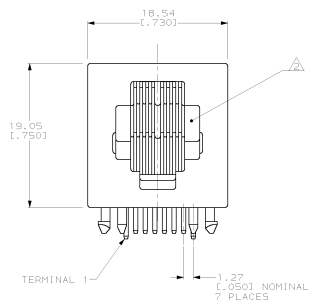
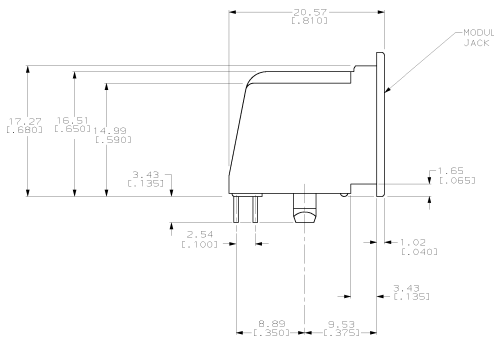
sales@integrated-circuit.com



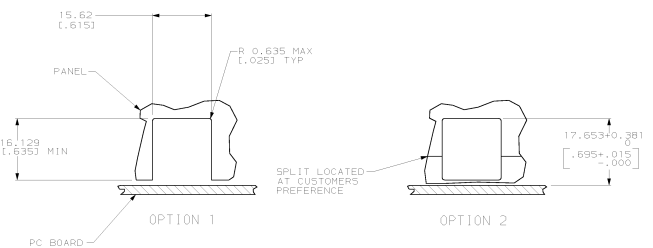
Distributor of TE Connectivity AMP Connectors: Excellent Integrated System Limited

Datasheet of 520243-4 - CONN MOD JACK 8P8C R/A UNSHLD

REV	DATE	DESCRIPTION	BY	CHK	APP
AA	22				
1		SUPERSEDED, -3, EC: 0574-0046-99			



PRINTED CIRCUIT BOARD LAYOUT
VIEW SHOWN FROM CIRCUIT SIDE



PANEL CUTOUT
SCALE 2:1

⚠ MATERIAL: HOUSING - PBT POLYESTER, BLACK.
TERMINAL - 0.36 (L.014) THICK PHOS BRONZE
PLATED WITH 1.27µm (L.00050) THICK HARD
GOLD IN LOCALIZED GOLD PLATE AREA 8.3.81µm
(L.000150) THICK TIN-LEAD IN SOLDER AREA
OVER 1.27µm (L.00050) THICK NICKEL UNDERPLATE.

⚠ CAVITY CONFORMS TO FCC RULES AND REGULATIONS
PART 6B AND REA BULLETIN IN 345-81, PE-76
SPECIFICATIONS FOR MODULAR TELEPHONE HARDWARE.

SUPERSEDED BY 520243-4		CONTACTS	PART NUMBER
B	520243-4		
6	520243-3		

THIS DRAWING IS A CONTROLLED DOCUMENT		REV	DATE	DESCRIPTION	BY	CHK	APP
REV	DATE	DESCRIPTION	BY	CHK	APP		
1	05/20/04	REVISED	AM				
2	05/20/04	REVISED	AM				
3	05/20/04	REVISED	AM				
4	05/20/04	REVISED	AM				
5	05/20/04	REVISED	AM				
6	05/20/04	REVISED	AM				
7	05/20/04	REVISED	AM				
8	05/20/04	REVISED	AM				
9	05/20/04	REVISED	AM				
10	05/20/04	REVISED	AM				
11	05/20/04	REVISED	AM				
12	05/20/04	REVISED	AM				
13	05/20/04	REVISED	AM				
14	05/20/04	REVISED	AM				
15	05/20/04	REVISED	AM				
16	05/20/04	REVISED	AM				
17	05/20/04	REVISED	AM				
18	05/20/04	REVISED	AM				
19	05/20/04	REVISED	AM				
20	05/20/04	REVISED	AM				
21	05/20/04	REVISED	AM				
22	05/20/04	REVISED	AM				
23	05/20/04	REVISED	AM				
24	05/20/04	REVISED	AM				
25	05/20/04	REVISED	AM				
26	05/20/04	REVISED	AM				
27	05/20/04	REVISED	AM				
28	05/20/04	REVISED	AM				
29	05/20/04	REVISED	AM				
30	05/20/04	REVISED	AM				
31	05/20/04	REVISED	AM				
32	05/20/04	REVISED	AM				
33	05/20/04	REVISED	AM				
34	05/20/04	REVISED	AM				
35	05/20/04	REVISED	AM				
36	05/20/04	REVISED	AM				
37	05/20/04	REVISED	AM				
38	05/20/04	REVISED	AM				
39	05/20/04	REVISED	AM				
40	05/20/04	REVISED	AM				
41	05/20/04	REVISED	AM				
42	05/20/04	REVISED	AM				
43	05/20/04	REVISED	AM				
44	05/20/04	REVISED	AM				
45	05/20/04	REVISED	AM				
46	05/20/04	REVISED	AM				
47	05/20/04	REVISED	AM				
48	05/20/04	REVISED	AM				
49	05/20/04	REVISED	AM				
50	05/20/04	REVISED	AM				
51	05/20/04	REVISED	AM				
52	05/20/04	REVISED	AM				
53	05/20/04	REVISED	AM				
54	05/20/04	REVISED	AM				
55	05/20/04	REVISED	AM				
56	05/20/04	REVISED	AM				
57	05/20/04	REVISED	AM				
58	05/20/04	REVISED	AM				
59	05/20/04	REVISED	AM				
60	05/20/04	REVISED	AM				
61	05/20/04	REVISED	AM				
62	05/20/04	REVISED	AM				
63	05/20/04	REVISED	AM				
64	05/20/04	REVISED	AM				
65	05/20/04	REVISED	AM				
66	05/20/04	REVISED	AM				
67	05/20/04	REVISED	AM				
68	05/20/04	REVISED	AM				
69	05/20/04	REVISED	AM				
70	05/20/04	REVISED	AM				
71	05/20/04	REVISED	AM				
72	05/20/04	REVISED	AM				
73	05/20/04	REVISED	AM				
74	05/20/04	REVISED	AM				
75	05/20/04	REVISED	AM				
76	05/20/04	REVISED	AM				
77	05/20/04	REVISED	AM				
78	05/20/04	REVISED	AM				
79	05/20/04	REVISED	AM				
80	05/20/04	REVISED	AM				
81	05/20/04	REVISED	AM				
82	05/20/04	REVISED	AM				
83	05/20/04	REVISED	AM				
84	05/20/04	REVISED	AM				
85	05/20/04	REVISED	AM				
86	05/20/04	REVISED	AM				
87	05/20/04	REVISED	AM				
88	05/20/04	REVISED	AM				
89	05/20/04	REVISED	AM				
90	05/20/04	REVISED	AM				
91	05/20/04	REVISED	AM				
92	05/20/04	REVISED	AM				
93	05/20/04	REVISED	AM				
94	05/20/04	REVISED	AM				
95	05/20/04	REVISED	AM				
96	05/20/04	REVISED	AM				
97	05/20/04	REVISED	AM				
98	05/20/04	REVISED	AM				
99	05/20/04	REVISED	AM				
100	05/20/04	REVISED	AM				