

## Excellent Integrated System Limited

Stocking Distributor

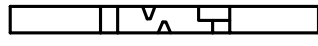
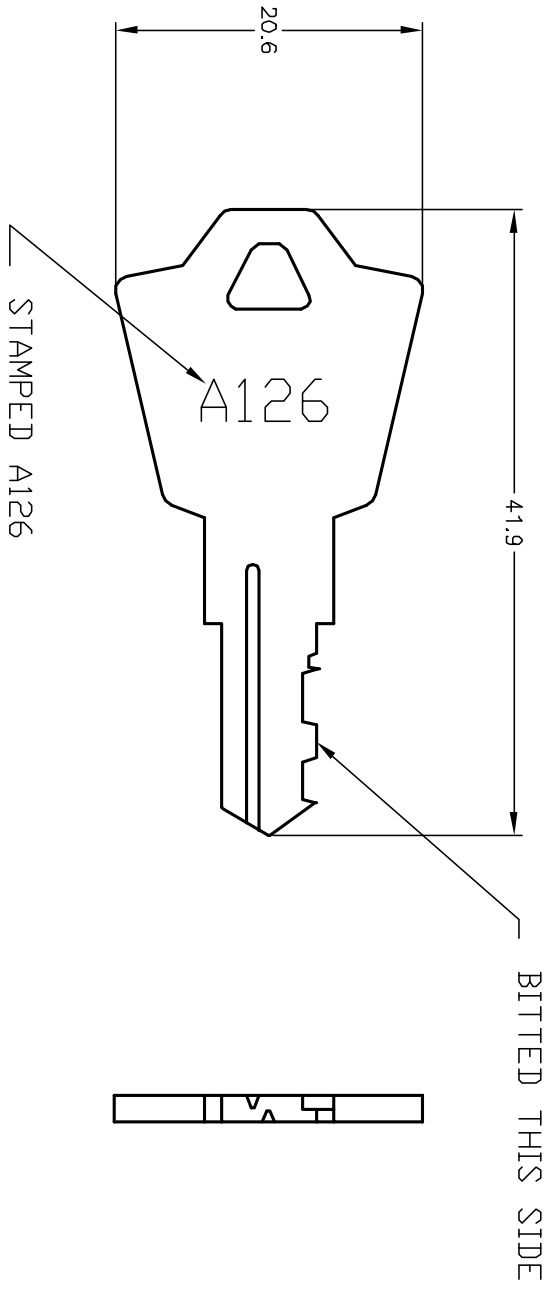
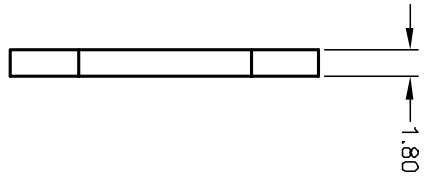
Click to view price, real time Inventory, Delivery & Lifecycle Information:

[E-Switch](#)  
[KOKEYA126](#)

For any questions, you can email us directly:

[sales@integrated-circuit.com](mailto:sales@integrated-circuit.com)

SHEET OF



NOTES:

1. ALL DIMENSIONS IN MM
2. GENERAL TOLERANCE: X.X=±0.4  
X.XX=±0.25
3. MATERIAL: ZINC ALLOY W/NICKLE PLATE.

REV.	ECN No.	DESCRIPTION	DATE	CHKD
A	11769	RELEASED FOR PRODUCTION	10/11/02	CB

TITLE	SCALE	DATE	DR	DWG	REV
K0 KEY A126	2:1	3/02/00	--	K900005	A



THE INFORMATION CONTAINED IN THIS DOCUMENT IS PROPRIETARY TO E-SWITCH AND IS NOT TO BE COPIED OR TRANSMITTED