

Excellent Integrated System Limited

Stocking Distributor

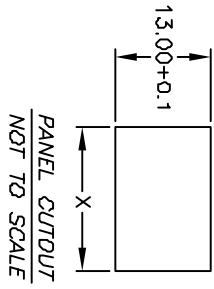
Click to view price, real time Inventory, Delivery & Lifecycle Information:

[E-Switch](#)
[R1966AGRYGRYEFRED](#)

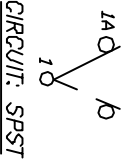
For any questions, you can email us directly:

sales@integrated-circuit.com

PANEL THICKNESS	X dimension
0.75-1.25 [0.30-0.49]	19.2- <i>a</i> 1 [7.56]
1.25-2.0 [0.49-0.79]	19.4- <i>a</i> 1 [7.64]
2.0-3.0 [0.79-1.18]	19.8- <i>a</i> 1 [7.80]



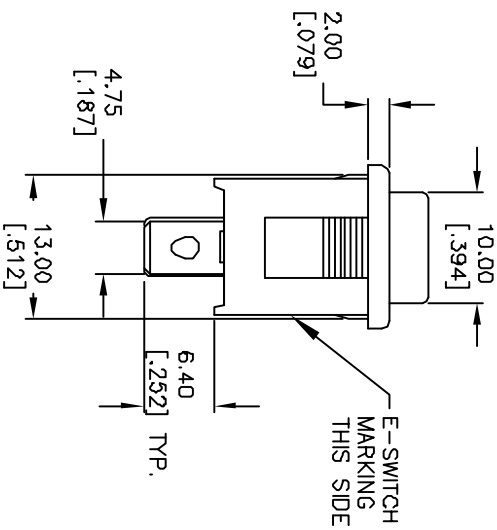
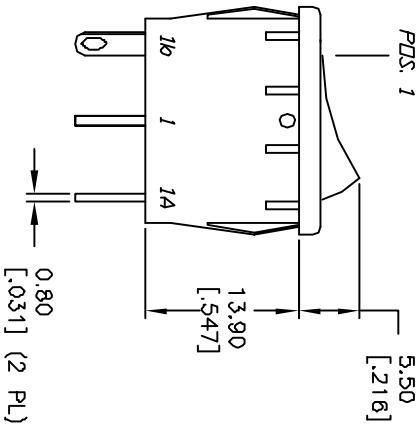
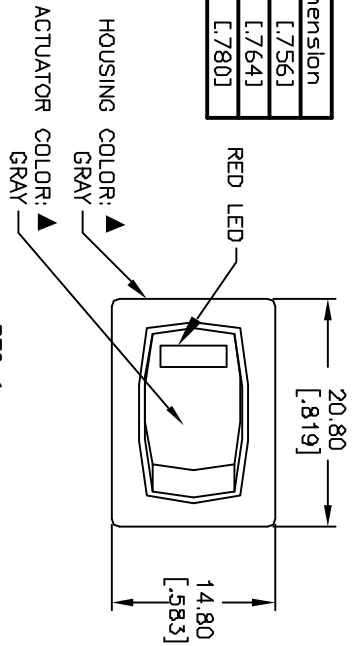
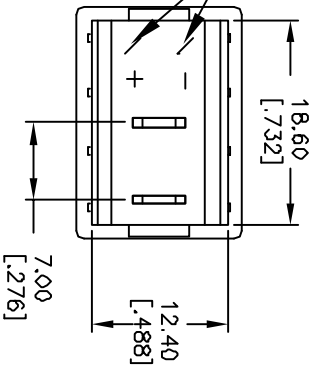
SWITCH FUNCTION	
POS. 1	POS. 2
DN	OFF
1-1a	OPEN



NOTES:

1. ALL DIMENSIONS IN MM [INCH]
2. GENERAL TOLERANCE: X.X=±0.4
X.XX=±0.25
3. TERMINAL NUMBERS FOR REF ONLY
4. RATING: 15A @ 125VAC OR 6A @ 250VAC
5. MATERIALS: (TERMINALS) SILVER PLATED COPPER
(CONTACTS) COIN SILVER, SILVER PLATED.
6. CONTACT RESISTANCE: <20 MEGA
7. ELECTRIC LIFE: 10,000 CYCLES
8. INSULATION RESISTANCE: >1000 MEGA
9. DIELECTRIC STRENGTH: >1500V 1 MINUTE
>3000V BETWEEN POLES
10. ▲ DENOTES CRITICAL PARAMETER.

LED SOLDER TERMINALS
 0.15 x 2.00



RED LED

PARAMETERS	SYMBOL	MAX. TYP.	UNITS
POWER DISSIPATION	P _d	80	mW
AVE FORWARD CURRENT	I _{af}	--	mA
PEAK FORWARD CURRENT	I _{af}	100	mA
REVERSE VOLTAGE	V _r	5	V
FORWARD VOLTAGE	V _f	2.6	1.7 V
REVERSE CURRENT	I _r	100	μA
EMISSION WAVELENGTH	λ _p	660	nm
LUMINOUS INTENSITY	I _v	30	mcđ

REV.	ECN NO.	DESCRIPTION	DATE	CHKD
A	13284	RELEASED FOR PRODUCTION	7/11/03	AR

TITLE	SCALE	DATE	DR	DWG	REV
R1966AGRYGRYEFRED	1.5:1	7/11/03	AR	M301234	A

E-SWITCH®

THE INFORMATION CONTAINED IN THIS DOCUMENT IS PROPRIETARY TO E-SWITCH AND IS NOT TO BE COPIED OR TRANSFERRED