

Excellent Integrated System Limited

Stocking Distributor

Click to view price, real time Inventory, Delivery & Lifecycle Information:

[Tamura](#)
[TIC-L050-14](#)

For any questions, you can email us directly:

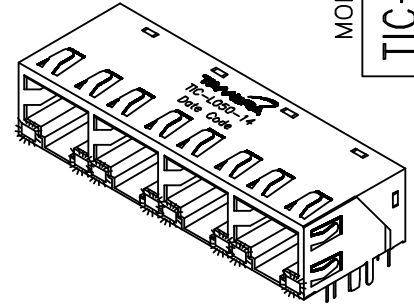
sales@integrated-circuit.com

REV. Status
 PRELIMINARY
 05/28/02 LL

TAMURA RJ45 Integrated Connector
 10/100 Base-TX, 1X4, Through Hole, LEDs, Tap-Down

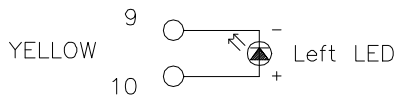
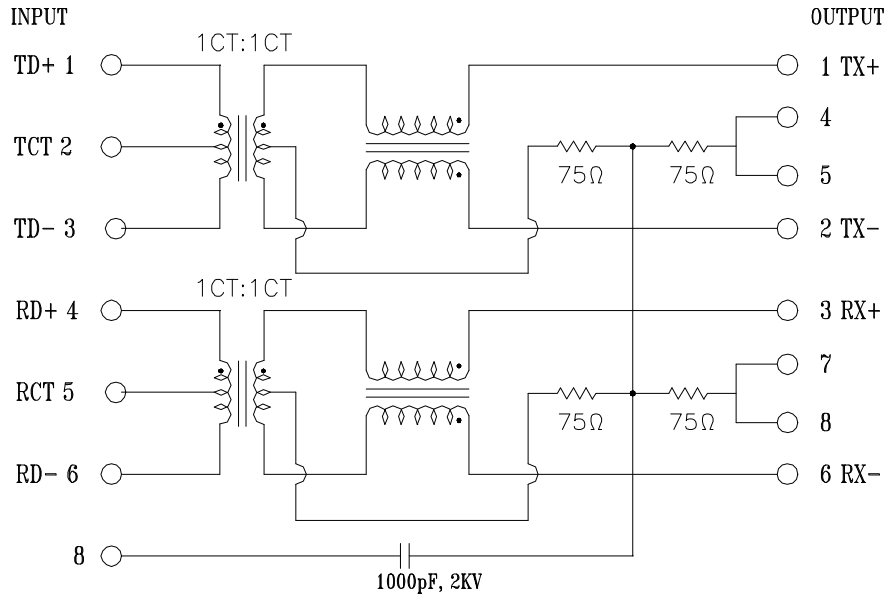
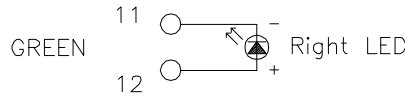
MODEL NUMBER
TIC-L050-14

- Meets IEEE 802.3 and ANSI X3.263
- Operating temperature: 0°C to +70°C
- Storage Temperature: -40°C to +75°C



Package Information			
Weight		Quantity	
weight/pcs (g)	weight/carton (kg)	quantity/tray (pcs)	quantity/carton (pcs)
23.4	4.0	25	100

Electrical Specification @ 25°C								
Insertion Loss (dB Max)	Return Loss (dB Min)		CMRR (dB Min)	Crosstalk (dB Min)	OCV (μ H Min)	Hipot (Vrms)	Impedance (Ω)	
1-100 MHz	1-30 MHz	60 MHz	80 MHz	1-100 MHz	1-100 MHz	8mA Dc Bias	1 minute	
-1	-18	-16	-12	-30	-35	350	1500	100



PREPARED BY:

D. Rund

ENGINEER:

L Le

QUALITY CONTROL:

D. Kelley

APPROVED:

J. Coleman

DWG CONTROL NO.
 P-A1-13064
 ACAD\TTC\A1130641.DWG

REV
 PRE

RJ45
 INTEGRATED CONNECTOR

TAMURA CORPORATION OF AMERICA
 43352 BUSINESS PARK DRIVE, TEMECULA, CA. 92590-6624
 (909) 699-1270 FAX 9096769482

TIC-L050-14

MODEL SPECIFICATION
 DIM: mm(In) SCL: NONE SH: 1 OF 3

PROPRIETARY NOTICE: THIS DRAWING PRINT OR DOCUMENT AND SUBJECT MATTER DISCLOSED HEREIN ARE PROPRIETARY ITEMS TO WHICH TAMURA RETAINS THE EXCLUSIVE RIGHT OF DISSEMINATION, REPRODUCTION, MANUFACTURE AND SALE. THIS DRAWING, PRINT OR DOCUMENT IS SUBMITTED IN CONFIDENCE FOR CONSIDERATION BY THE RECIPIENT ALONE UNLESS PERMISSION FOR FURTHER DISCLOSURE IS EXPRESSLY GRANTED IN WRITING.