

Excellent Integrated System Limited

Stocking Distributor

Click to view price, real time Inventory, Delivery & Lifecycle Information:

[Tamura](#)

[TTC-4106](#)

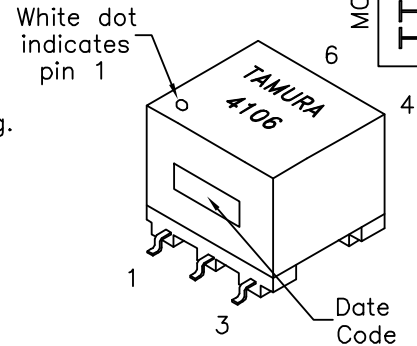
For any questions, you can email us directly:

sales@integrated-circuit.com

REV. Status	ADSL Inductor
REVISION 01/09/02 MP	A. Electrical Specifications (@ 25°C)
REVISION A CHANGED MARKING 05/09/02 MP	1. Primary Open Circuit Inductance; 90μH ±5% @ 10KHz, 0.1Vrms, 100mA DC Measured (1-3) and (4-6)
REVISION B CHANGED A.3 05/28/02 MP	2. DC Resistance; (1-3)=1.0Ω MAX (4-6)=1.0Ω MAX
	3. Turns Ratio; (1-3):(4-6)=1:1.00±1%
	4. Dielectric Strength; 630Vrms 1 second @ Wdg. to Wdg.
	5. Operating Temperature Range; -40°C to +85°C
	B. Marking; 4106, TAMURA and date code
	C. Schematic and Mounting Footprint;
	D. Mechanical Specifications;

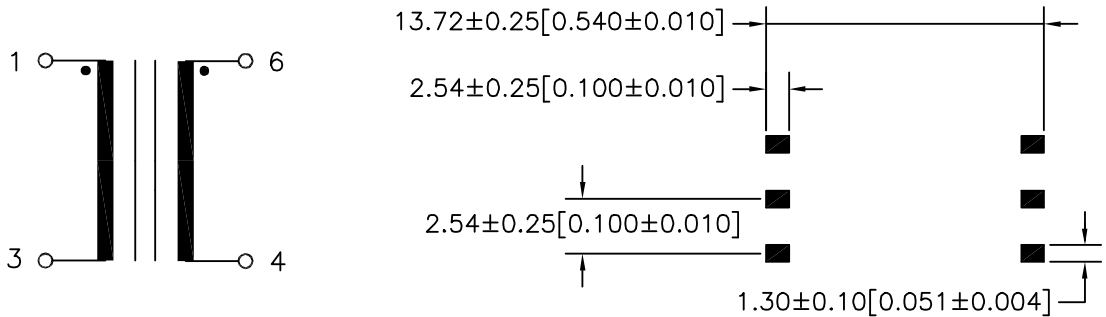
A. Electrical Specifications (@ 25°C)

1. Primary Open Circuit Inductance; 90μH ±5% @ 10KHz, 0.1Vrms, 100mA DC Measured (1-3) and (4-6)
2. DC Resistance; (1-3)=1.0Ω MAX
(4-6)=1.0Ω MAX
3. Turns Ratio; (1-3):(4-6)=1:1.00±1%
4. Dielectric Strength; 630Vrms 1 second @ Wdg. to Wdg.
5. Operating Temperature Range; -40°C to +85°C



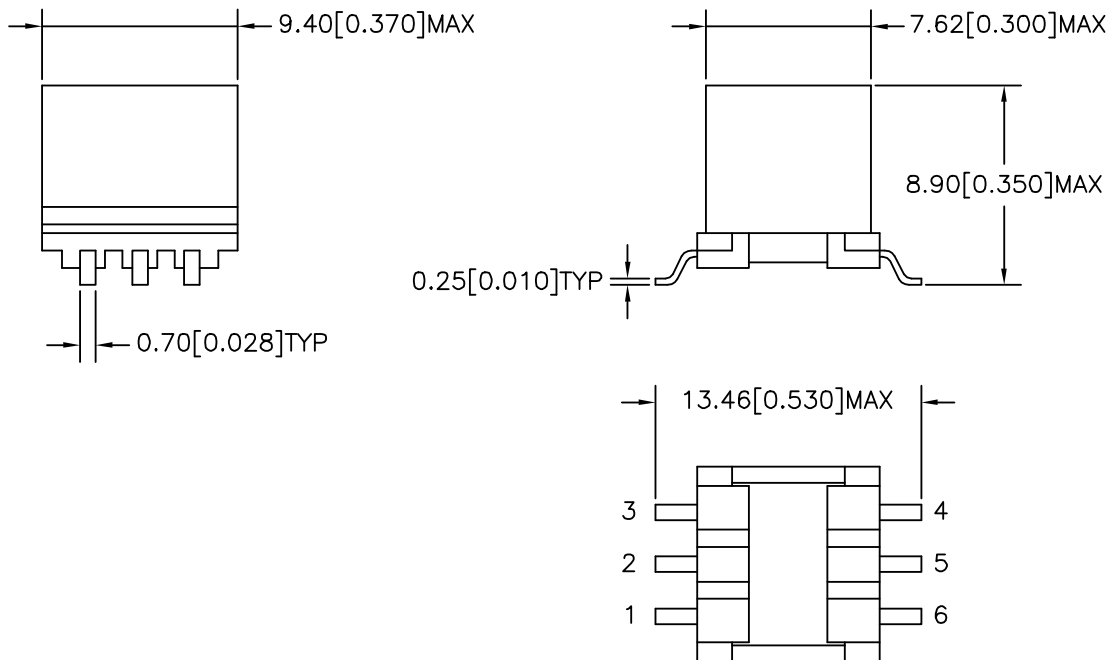
B. Marking; 4106, TAMURA and date code

C. Schematic and Mounting Footprint;



D. Mechanical Specifications;

Suggested Pad Layout



PREPARED BY:

D. Rund

ENGINEER:

M. Pitchai

QUALITY CONTROL:

D. Kelley

APPROVED:

J. Coleman

DWG CONTROL NO. P-A1-12895 ACAD\TTC\A1128951.DWG	REV B
--	----------

ADSL INDUCTOR

TTC-4106

CONTENTS OF THIS DRAWING ARE SUBJECT TO CHANGE WITHOUT PRIOR NOTICE

TAMURA CORPORATION OF AMERICA
43352 BUSINESS PARK DRIVE, TEMECULA, CA. 92590-6624
(909) 699-1270 FAX 9096769482

MODEL SPECIFICATION	DIM: mm(In)	SCL: 3/1	SH: 1 OF 1
---------------------	-------------	----------	------------

PROPRIETARY NOTICE: THIS DRAWING PRINT OR DOCUMENT AND SUBJECT MATTER DISCLOSED HEREIN ARE PROPRIETARY ITEMS TO WHICH TAMURA RETAINS THE EXCLUSIVE RIGHT OF DISSEMINATION, REPRODUCTION, MANUFACTURE AND SALE. THIS DRAWING, PRINT OR DOCUMENT IS SUBMITTED IN CONFIDENCE FOR CONSIDERATION BY THE RECIPIENT ALONE UNLESS PERMISSION FOR FURTHER DISCLOSURE IS EXPRESSLY GRANTED IN WRITING.

MODEL NUMBER
TTC-4106