

## Excellent Integrated System Limited

Stocking Distributor

Click to view price, real time Inventory, Delivery & Lifecycle Information:

[Tamura](#)  
[TTC-5008](#)

For any questions, you can email us directly:

[sales@integrated-circuit.com](mailto:sales@integrated-circuit.com)



REV. Status

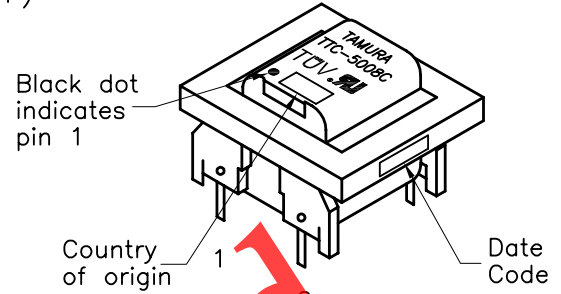
- REVISION –  
12/10/01 MP
- REVISION A  
CHANGED  
DIMENSIONS  
03/10/04 MP
- REVISION B  
ADDED "C"  
CLASS TO  
MARKING NOTE  
AND RoHS  
05/11/06 MP

TELECOMMUNICATION MODEM COUPLING TRANSFORMER COMPATIBLE WITH V.90 TECHNOLOGIES

- A. Electrical Specifications (@ 25°C)
1. Pri Source Impedance; 600Ω
  2. Sec Load Impedance; 374Ω
  3. Insertion Loss;  
2.5dB MAX, 1KHz, 0dBm
  4. Frequency Response (relative to 1 KHz)  
±0.20dB 200Hz to 4KHz @ 0dBm
  5. Longitudinal Balance;  
60dB MIN @ 200Hz to 1KHz  
40dB MIN @ 1KHz to 4KHz
  6. Return Loss; 25dB MIN @ 1KHz, 0dBm (29dB TYP)
  7. DC Resistance;  
(1-2)= 108Ω ±15%  
(3-4)= 120Ω ±15%
  8. Turns Ratio; (1-2):(4-3) = 1:1.00±2%
  9. Dielectric Strength;  
1875Vrms 1 second Pri to Sec
  10. Total Harmonic Distortion:  
-86dB MAX @ 600Hz, -10dBm (-90dB TYP)



MODEL NUMBER  
**TTC-5008**

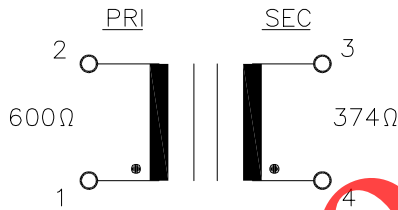


B. Marking; TTC-5008C, TAMURA, date code and country of origin.  
"C" designates UL approved family classification

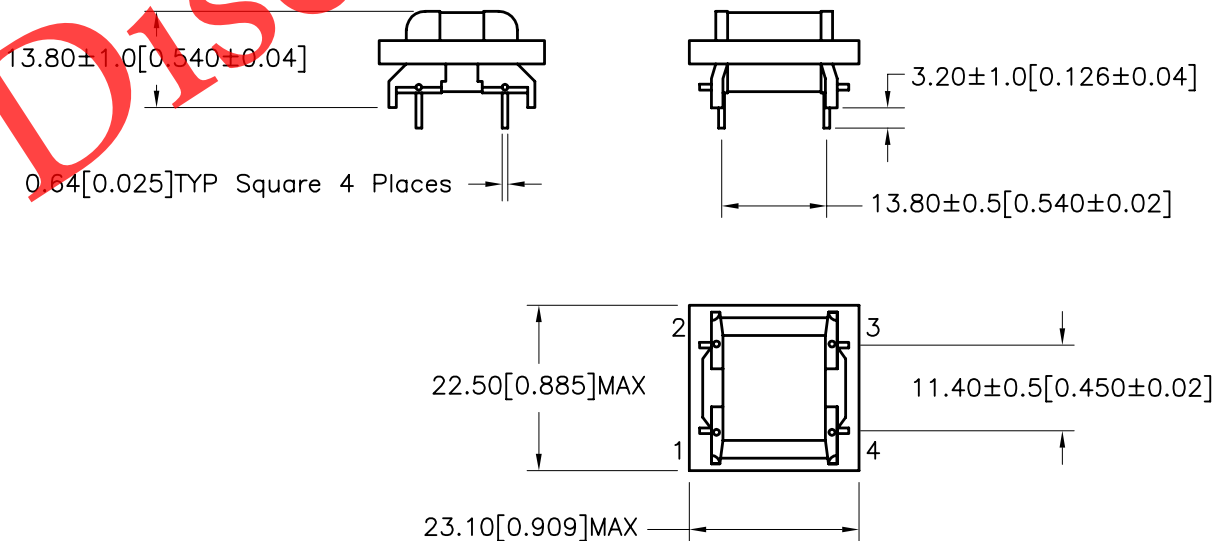
C. Safety: UL 1950 3rd Edition, UL60950, EN60950



D. Schematic Diagram



E. Mechanical Specifications



PREPARED BY:  
K. BRENNAN

ENGINEER:  
M. PITCHAI

DWG CONTROL NO. P-A1-12310  
ACAD\TTC\A1123101.DWG

REV B

MODEM COUPLING TRANSFORMER

**TTC-5008**

QUALITY CONTROL:  
T. CLEM

CONTENTS OF THIS DRAWING ARE SUBJECT TO CHANGE WITHOUT PRIOR NOTICE

**TAMURA CORPORATION OF AMERICA**  
 43352 BUSINESS PARK DRIVE, TEMECULA, CA. 92590-6624  
 (951) 699-1270 FAX 9516769482

MODEL SPECIFICATION

DIM: mm [in] SCL: 1/1 SH: 1 OF 1

APPROVED:  
Y. SEKIGUCHI

PROPRIETARY NOTICE: THIS DRAWING PRINT OR DOCUMENT AND SUBJECT MATTER DISCLOSED HEREIN ARE PROPRIETARY ITEMS TO WHICH TAMURA RETAINS THE EXCLUSIVE RIGHT OF DISSEMINATION, REPRODUCTION, MANUFACTURE AND SALE. THIS DRAWING, PRINT OR DOCUMENT IS SUBMITTED IN CONFIDENCE FOR CONSIDERATION BY THE RECIPIENT ALONE UNLESS PERMISSION FOR FURTHER DISCLOSURE IS EXPRESSLY GRANTED IN WRITING.