

Excellent Integrated System Limited

Stocking Distributor

Click to view price, real time Inventory, Delivery & Lifecycle Information:

[Tamura](#)
[TTC-8124](#)

For any questions, you can email us directly:
sales@integrated-circuit.com

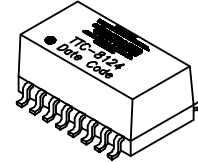
REV. Status

PRELIMINARY
01/09/01 LL



10 Base-T LAN Magnetic Module Single Port, 16 pin SMD

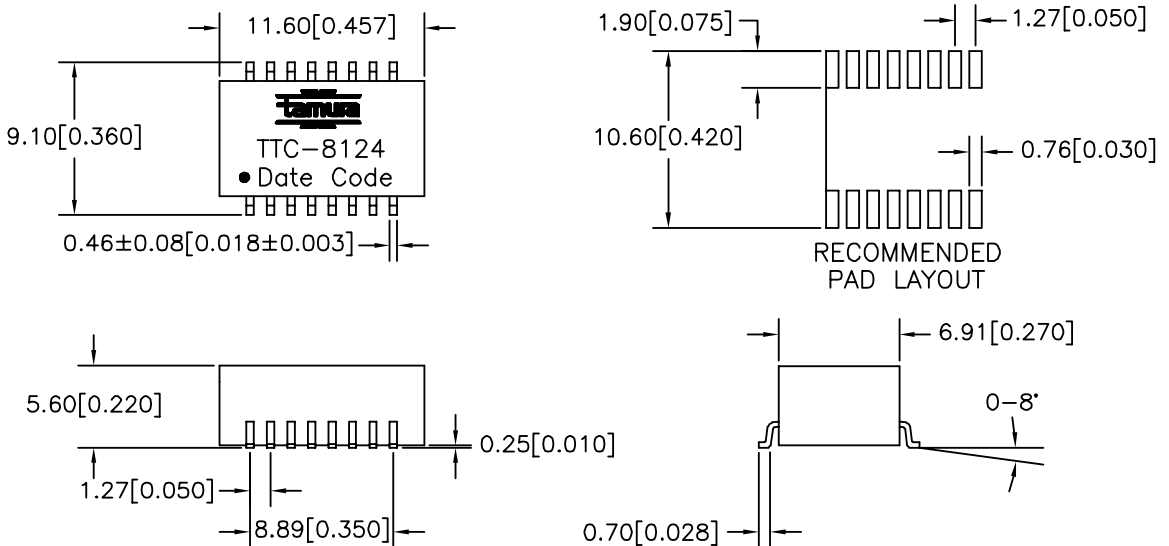
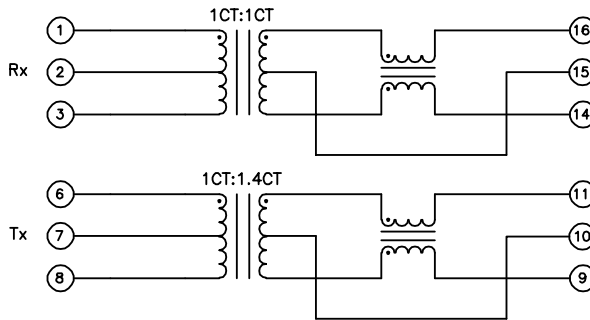
- Complies with IEEE 802.3 Standard
- Surface Mount Device withstands IR reflow profile process
- Operating temperature: 0°C to 70°C
- Enhanced Common Mode Attenuation



MODEL NUMBER
TTC-8124

PRELIMINARY

Electrical Specification @ 25°C				
DCR	OCL	Hipot	Leakage L	C _{ww}
(Ω Max)	(μH Min)	(Vrms)	(μH Max)	(pF Max)
(1-3), (6-8)	100KHz 0.1Vrms	60 sec	100KHz 0.1Vrms	100KHz 0.1Vrms
0.3	200	1500	0.5	20



PREPARED BY:

D. Rund

ENGINEER:

L. Le

QUALITY CONTROL:

D. Kelley

APPROVED:

J. Coleman

NOTE: Unless otherwise specified, all dimensions are mm[in] with tolerance of ±0.25[0.010]

DWG CONTROL NO. P-A1-12706 ACAD\TTC\A1127061.DWG	REV PRE	10 Base-T LAN Magnetic Module Single Port, 16 pin SMD	TTC-8124	
CONTENTS OF THIS DRAWING ARE SUBJECT TO CHANGE WITHOUT PRIOR NOTICE			MODEL SPECIFICATION	
TAMURA CORPORATION OF AMERICA 43352 BUSINESS PARK DRIVE, TEMECULA, CA. 92590-6624 (909) 699-1270 FAX 9096769482			DIM: mm(In)	SCL: none
PROPRIETARY NOTICE: THIS DRAWING PRINT OR DOCUMENT AND SUBJECT MATTER DISCLOSED HEREIN ARE PROPRIETARY ITEMS TO WHICH TAMURA RETAINS THE EXCLUSIVE RIGHT OF DISSEMINATION, REPRODUCTION, MANUFACTURE AND SALE. THIS DRAWING, PRINT OR DOCUMENT IS SUBMITTED IN CONFIDENCE FOR CONSIDERATION BY THE RECIPIENT ALONE UNLESS PERMISSION FOR FURTHER DISCLOSURE IS EXPRESSLY GRANTED IN WRITING.			SH: 1 OF 1	