

Excellent Integrated System Limited

Stocking Distributor

Click to view price, real time Inventory, Delivery & Lifecycle Information:

[Tamura](#)
[TTC-8149](#)

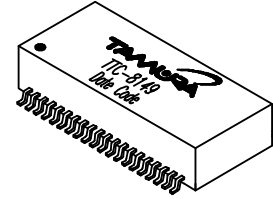
For any questions, you can email us directly:
sales@integrated-circuit.com

REV. Status
 PRELIMINARY
 05/09/01 LL
 PRELIMINARY 1
 ADDED 1:1 TO
 SCHEMATIC
 05/11/01 LL



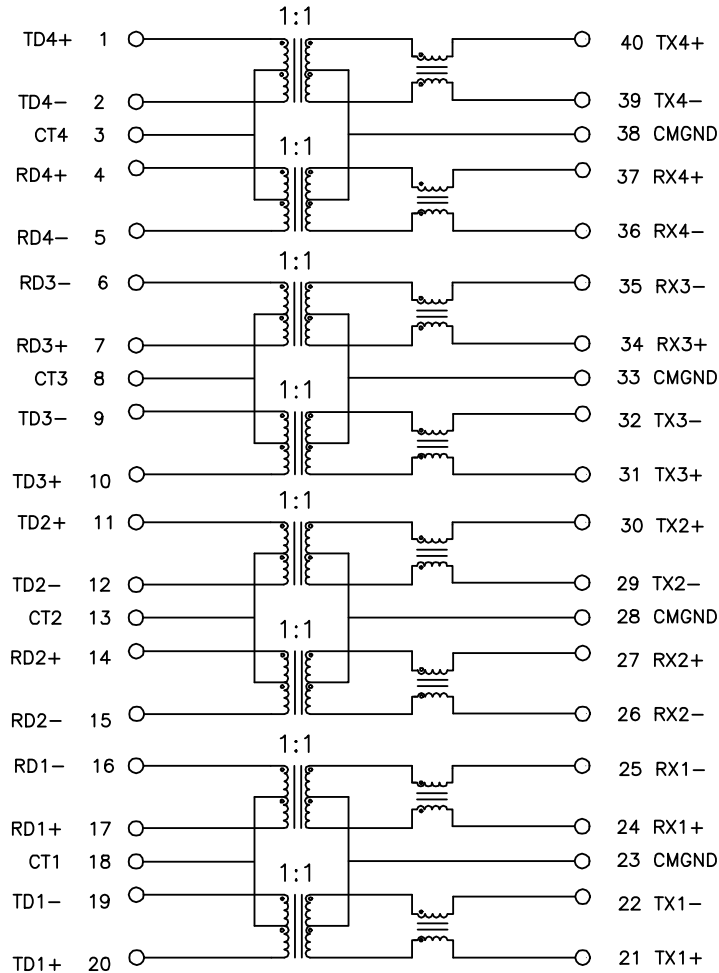
10/100 Base-T QUAD Magnetic Module Multi Port, 40 pin SMD

- For Auto MDI/MDIX Applications
- Complies with IEEE 802.3 Standard
- Surface Mount Device withstands IR reflow profile process
- Operating temperature: 0°C to 70°C
- Enhanced Common Mode Attenuation



MODEL NUMBER
TTC-8149

Electrical Specification @ 25°C							
Insertion Loss (dB Max)	Return Loss (dB Min)			CMRR (dB Min)	Crosstalk (dB Min)	OCL (μH Min)	Hipot (Vrms)
0.1-100 MHz	0.1-30 MHz	60 MHz	80 MHz	0.1-100 MHz	0.1-100 MHz	8mA DC Bias	60 SEC
-1	-18	-14	-12	-35	-35	350	1500



PREPARED BY:

D. Rund

ENGINEER:

L. Le

QUALITY CONTROL:

D. Kelley

APPROVED:

D. Kelley

DWG CONTROL NO.
 P-A1-12806
 ACAD\TTC\A1128061.DWG

REV
 PR1

10/100 Base-T QUAD Magnetic Module, Multi Port, 40 pin SMD

TAMURA CORPORATION OF AMERICA
 43352 BUSINESS PARK DRIVE, TEMECULA, CA. 92590-6624
 (909) 699-1270 FAX 9096769482

TTC-8149

MODEL SPECIFICATION

DIM: mm(In) SCL: none SH: 1 OF 2

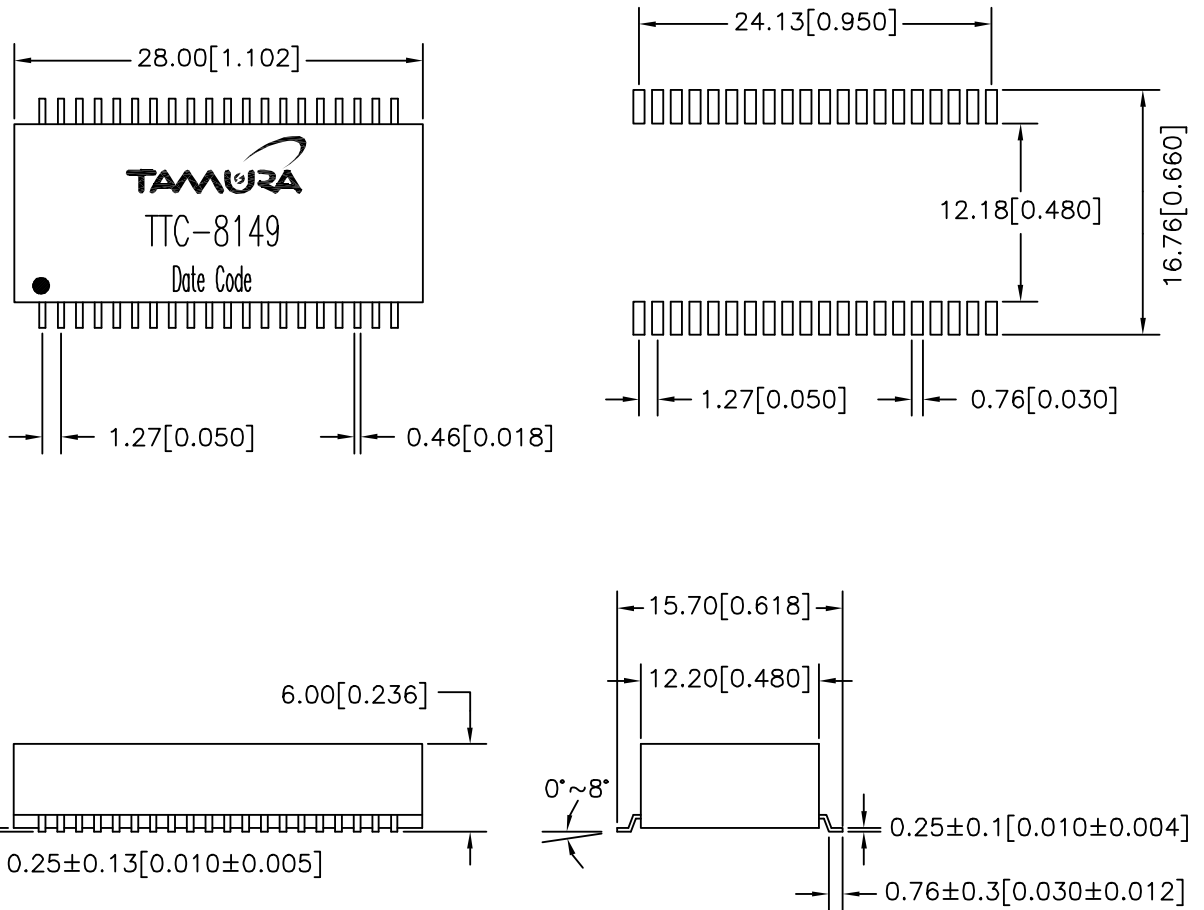
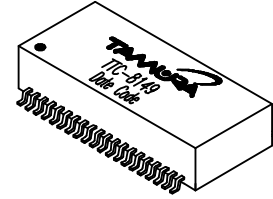
PROPRIETARY NOTICE: THIS DRAWING PRINT OR DOCUMENT AND SUBJECT MATTER DISCLOSED HEREIN ARE PROPRIETARY ITEMS TO WHICH TAMURA RETAINS THE EXCLUSIVE RIGHT OF DISSEMINATION, REPRODUCTION, MANUFACTURE AND SALE. THIS DRAWING, PRINT OR DOCUMENT IS SUBMITTED IN CONFIDENCE FOR CONSIDERATION BY THE RECIPIENT ALONE UNLESS PERMISSION FOR FURTHER DISCLOSURE IS EXPRESSLY GRANTED IN WRITING.

REV. Status
 PRELIMINARY
 05/08/01 LL
 PRELIMINARY 1
 ADDED 1:1 TO
 SCHEMATIC
 05/11/01 LL



10/100 Base-T QUAD Magnetic
 Module Multi Port, 40 pin SMD

MODEL NUMBER
TTC-8149



PREPARED BY:

D. Rund

NOTE: Unless otherwise specified, all dimensions are mm[in] with tolerance of ±0.25[0.010]

ENGINEER:

L. Le

DWG CONTROL NO.
 P-A1-12806
 ACAD\TTC\A1128062.DWG

REV
 PR1

10/100 Base-T QUAD Magnetic
 Module, Multi Port, 40 pin SMD

TTC-8149

QUALITY CONTROL:

D. Kelley

CONTENTS OF THIS DRAWING ARE
 SUBJECT TO CHANGE WITHOUT
 PRIOR NOTICE

TAMURA CORPORATION OF AMERICA
 43352 BUSINESS PARK DRIVE, TEMECULA, CA. 92590-6624
 (909) 699-1270 FAX 9096769482

MODEL SPECIFICATION

DIM: mm(In) SCL: none SH: 2 OF 2

APPROVED:

D. Kelley

PROPRIETARY NOTICE: THIS DRAWING PRINT OR DOCUMENT AND SUBJECT MATTER DISCLOSED HEREIN ARE PROPRIETARY ITEMS TO WHICH TAMURA
 RETAINS THE EXCLUSIVE RIGHT OF DISSEMINATION, REPRODUCTION, MANUFACTURE AND SALE. THIS DRAWING, PRINT OR DOCUMENT IS SUBMITTED IN
 CONFIDENCE FOR CONSIDERATION BY THE RECIPIENT ALONE UNLESS PERMISSION FOR FURTHER DISCLOSURE IS EXPRESSLY GRANTED IN WRITING.