

Excellent Integrated System Limited

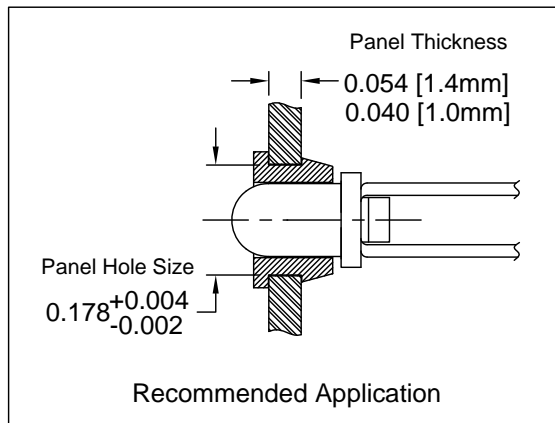
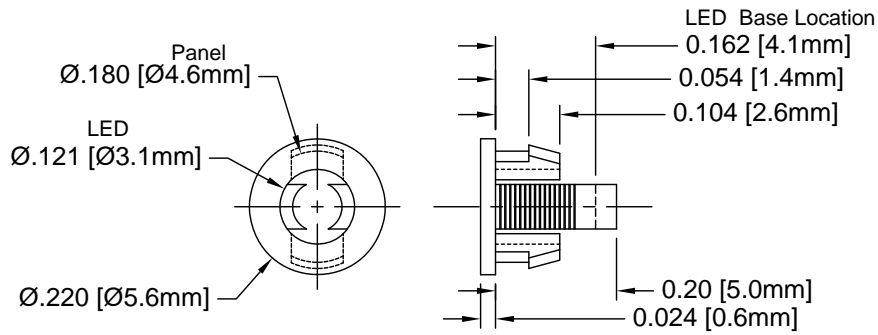
Stocking Distributor

Click to view price, real time Inventory, Delivery & Lifecycle Information:

[Bivar, Inc.](#)
[C-103-SR](#)

For any questions, you can email us directly:
sales@integrated-circuit.com

REV.	DESCRIPTION	DATE	APPROVED
D	Engineering Update w/o Changes	02/24/04	M. C.
E	Removed Material Code	05/28/16	J. C.



2. MATERIAL: NYLON 6/6, 94V-2, BLACK.

1. GENERAL SPECIFICATIONS: BIVAR MOLDED COMPONENT SPECIFICATION BV00-E101.

STANDARD TOLERANCE (UNLESS OTHERWISE SPECIFIED)		 4 THOMAS, IRVINE, CA. 92618 TEL: (949) 951-8808 FAX: (949) 951-3974	
DECIMALS	ANGULAR		
.X ±.1	X° ± 1°	TITLE: T-1 (3mm) LED SELF-RETAINING CLIP	
.XX ±.01			
.XXX ±.005		DESIGNED: D. Green DATE: 05/23/02	PART NO: C-103-SR REVISION: E
CHECKED: M. Chen DATE: 06/03/02		CAGE CODE : 32559 SHEET # 1 OF 1	CAD GENERATED DOCUMENT. DO NOT MEASURE DRAWING.