



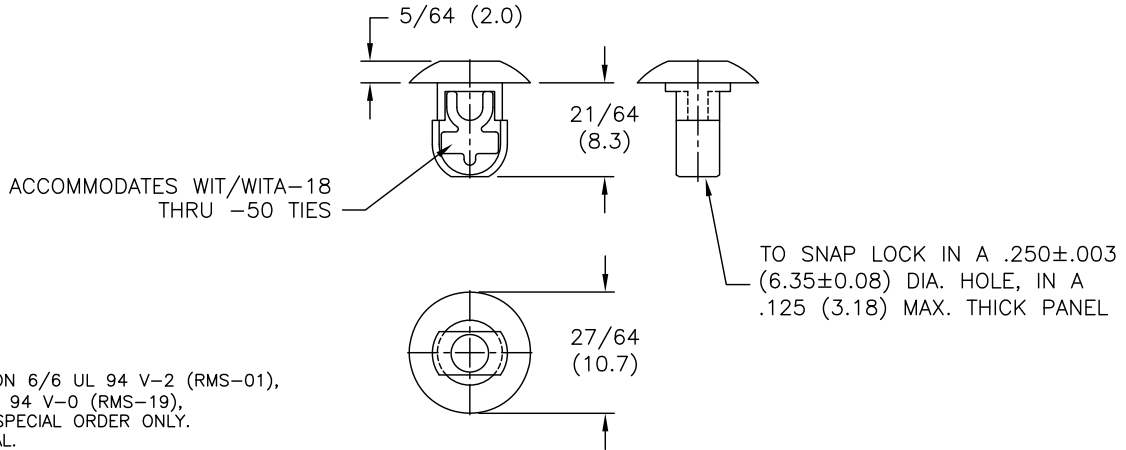
Excellent Integrated System Limited

Stocking Distributor

Click to view price, real time Inventory, Delivery & Lifecycle Information:

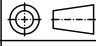

[Essentra Components \(formerly Richco, Inc.\)](#)
[FTH-9-01-M](#)

For any questions, you can email us directly:
sales@integrated-circuit.com



NOTES:

1. MATERIAL: NYLON 6/6 UL 94 V-2 (RMS-01),
 NYLON 6/6 UL 94 V-0 (RMS-19),
 AVAILABLE BY SPECIAL ORDER ONLY.
 COLOR: NATURAL.
2. MATERIAL: UV STABILIZED NYLON (RMS-46),
 COLOR BLACK.
 AVAILABLE BY SPECIAL ORDER.
 TO ORDER REPLACE "-01" WITH "-UVB"
3. PACKAGING QUANTITIES ARE REFLECTED AS THE SUFFIX "-LETTER".
 EXAMPLE: FTH-9-01-M FOR 1000 PCS.
 -C = 100 PCS
 -M = 1000 PCS

G	ADDED NOTE 3. SEE CO 200661	SK 05.12.11	TITLE: FLAT TIE HOLDER				DWG IN IN (MM)	
F	SEE CO 200570 FOR CHANGES	SK 08.04.10	FILE # FTH-9			FINAL		
E	SEE CO 200091 FOR CHANGES	SK 12.18.07	TOLERANCES UNLESS NOTED	MAT'L: SEE NOTES	DWN: P.B.	APP:		
D	SEE ECN #1124 FOR CHANGES	SK 01.24.06	.XX=±.010	RE: RICHCO, INC.	DT: 06-29-94	DT:	PART #	PRINT TYPE
C	CHANGED FILE NO.	SM 05.17.02	.XXX=±.005		RICHCO INC. PO BOX 804238, CHICAGO, 60680 (773) 539-4060		FTH-9-01	CA
B	FR NYLON (RMS-19) ADDED	J.L. 01.07.00	FRAC=±1/64					
A	CONVERTED TO ACAD	PB 06.29.94	ANG=±1°					
REV	DESCRIPTION	ENGR DATE						