

Excellent Integrated System Limited

Stocking Distributor

Click to view price, real time Inventory, Delivery & Lifecycle Information:

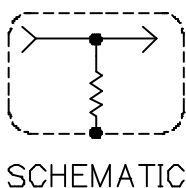
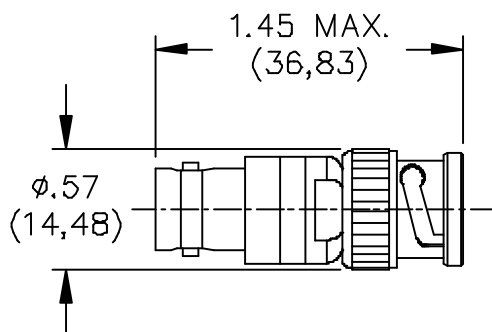
[Pomona Electronics](#)
[4119-50](#)

For any questions, you can email us directly:

sales@integrated-circuit.com

Pomona[®]

Model 4119 BNC Feed-Thru Termination



MODEL NO.	* RESISTANCE VALUE Ω
4119-50	50
4119-75	75
4119-93	93
4119-600	600

MATERIALS:

Body and Fittings: Brass, Alloy 360, 1/2 Hard.

Center Contact: Male – Brass, Alloy 360, 1/2 Hard.

Female – Beryllium Copper per Cond. Ht.

Outer Contact: Beryllium Copper, Cond. Ht.

Dielectric: Teflon per L-P-403.

Gasket/Seals: Silicone rubber per zz-r-765, Class 11a, Grade 50.

Finish:

Body and Fittings: Tarnish Resistant.

Center Contact: Male – Gold plated.

Outer Contact: Tarnish Resistant.

Marking: "Pomona Elect. 4119-*" and resistance value marked on label.

Specifications: 2%, 2 Watt, Carbon-film resistor deposited over Ceramic Core.

VSWR: 1.1 Max. from D.C. to 250 MHz.

1.2 Max. from 250 MHz to 500 MHz.

RATINGS:

Operating Temperature: +102°C (+216°F) Max.

ORDERING INFORMATION: Model 4119-*

* = Resistance value (see table above)

All dimensions are in inches. Tolerances (except noted): .xx = ±.02" (.51 mm), .xxx = ±.005" (.127 mm).

All specifications are to the latest revisions. Specifications are subject to change without notice.

Registered trademarks are the property of their respective companies. Made in USA