

Excellent Integrated System Limited

Stocking Distributor

Click to view price, real time Inventory, Delivery & Lifecycle Information:

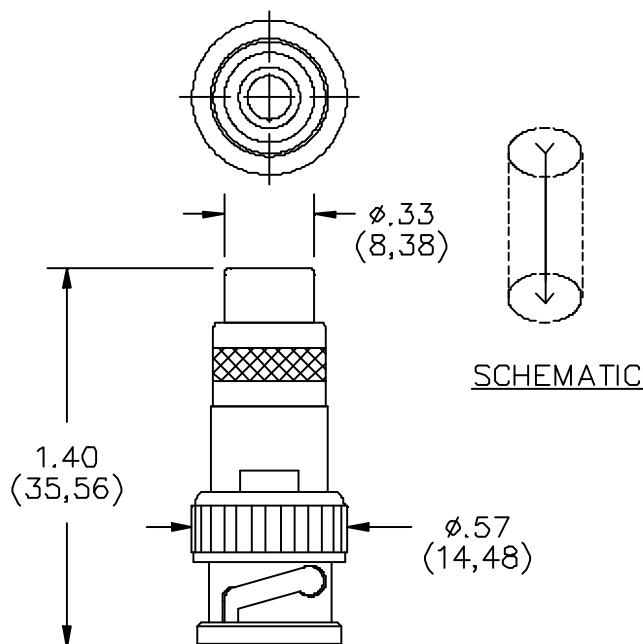
[Pomona Electronics](#)
[4054](#)

For any questions, you can email us directly:

sales@integrated-circuit.com

Pomona®

Model 4054
Adapter – Phono Jack to BNC Male



FEATURES:

- Permits phono plug to be used with equipment having BNC females.
- All metal construction to insure proper shielding.

MATERIALS:

Upper Conn: Phono Jack.

Material: Brass.

Finish: Nickel plated.

Lower Conn: BNC Male.

Finish: Body and fittings, tarnish resistant.

Center Contact: Gold Plated per requirements of MIL-C-39012.

Nominal Impedance: 50 Ohms.

Marking: "POMONA 4054"

RATINGS:

Operating Temperature: +125°C (+257°F) Max.

Operating Voltage: 500 Max.

ORDERING INFORMATION: Model 4054

All dimensions are in inches. Tolerances (except noted): .xx = ±.02" (.51 mm), .xxx = ±.005" (.127 mm).

All specifications are to the latest revisions. Specifications are subject to change without notice.

Registered trademarks are the property of their respective companies. Made in USA