

Excellent Integrated System Limited

Stocking Distributor

Click to view price, real time Inventory, Delivery & Lifecycle Information:

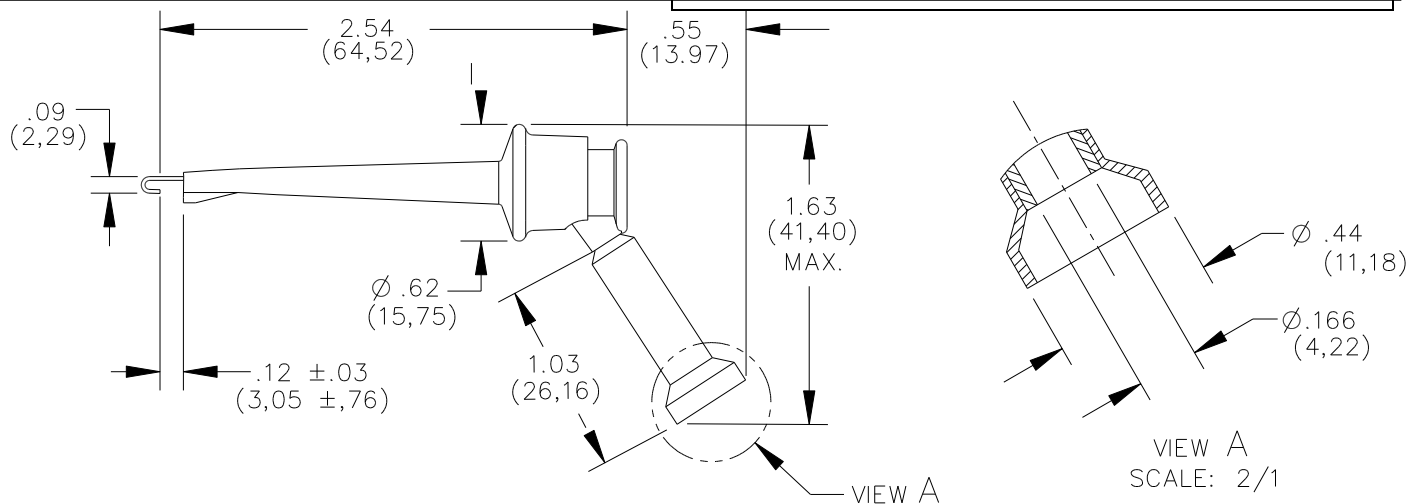
[Pomona Electronics](#)
[4723-0](#)

For any questions, you can email us directly:

sales@integrated-circuit.com

Pomona®

Model 4723
Minigrabber® With Banana Jack



FEATURES:

- This Minigrabber test clip has a standard banana jack built right into the plunger.
- Excellent for attaching the Grabber test clip directly to the end of a banana plug patch cord.

MATERIALS:

Contact: Beryllium Copper per QQ-C-533, Alloy 165, ¼ HM.

Spring Stainless steel #302

Banana Jack: Brass per QQ-B-626, Alloy 360, ½ Hard.

Finish:

Contact: Gold plated per MIL-G-45204, Type I, Class 00

Banana Jack: Nickel plated per QQ-N-290, Class 1, 200/300 microinches.

Insulation:

Glass filled Nylon.

Marking: "POMONA ELECTRONICS, CALIF." "4723" "MINIGRABBER®".

RATINGS:

Operating Temperature: +102°C. (+216°F.) Max.

Operating Voltage: Hand-held testing: 30VAC/60VDC Max.

Current: 5 Amperes

ORDERING INFORMATION: Model 4723-*

*=Color, -0 Black, -2 Red,

Ordering Example: 4723-2 Adapter Color is Red.

All dimensions are in inches. Tolerances (except noted): .xx = ±.02" (.51 mm), .xxx = ±.005" (.127 mm).

All specifications are to the latest revisions. Specifications are subject to change without notice.

Registered trademarks are the property of their respective companies. Made in USA