

## Excellent Integrated System Limited

Stocking Distributor

Click to view price, real time Inventory, Delivery & Lifecycle Information:

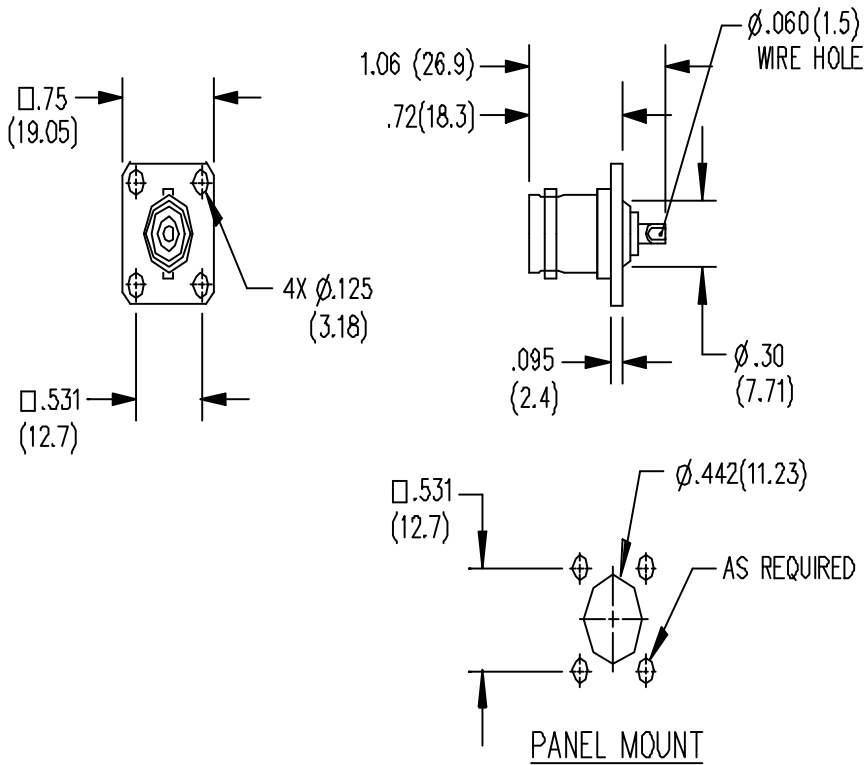
[Pomona Electronics](#)  
[2451](#)

For any questions, you can email us directly:

[sales@integrated-circuit.com](mailto:sales@integrated-circuit.com)

Pomona®

**Model 2451  
BNC Female Panel Receptacle**



**MATERIALS:**

Body and Fittings: Brass, Tarnish Resistant Plating

Center Contact: Gold Plated Beryllium Copper

Dielectric: PTFE

Finish: Body and Fittings: Tarnish Resistant

Center Contact: Gold Plated

**RATING:**

Nominal Impedance: 50 Ohms

Operating Temperature: -65°C to +165°C

**ORDERING INFORMATION:** Model 2451

All dimensions are in inches. Tolerances (except noted): .xx =  $\pm .02$ " (.51 mm), .xxx =  $\pm .005$ " (.127 mm).

All specifications are to the latest revisions. Specifications are subject to change without notice.

Registered trademarks are the property of their respective companies. Made in USA