

Excellent Integrated System Limited

Stocking Distributor

Click to view price, real time Inventory, Delivery & Lifecycle Information:

[STMicroelectronics](#)
[M48T128Y-70PM1](#)

For any questions, you can email us directly:

sales@integrated-circuit.com



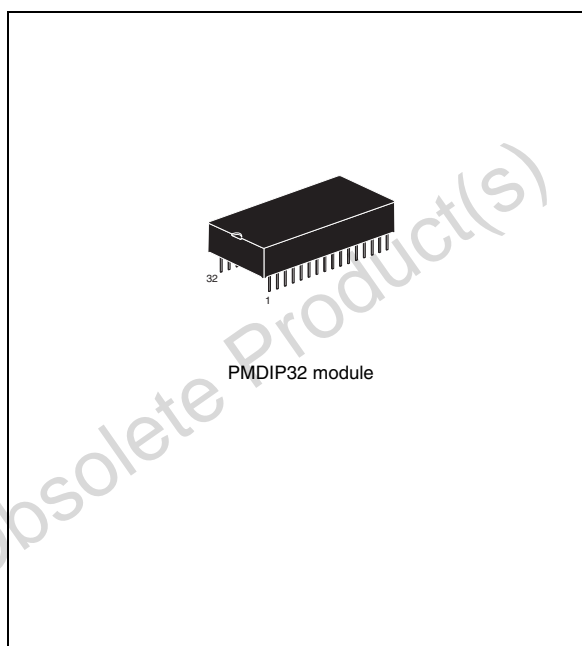
M48T128Y

5.0 V, 1 Mbit (128 Kb x 8) TIMEKEEPER[®] SRAM

Not recommended for new design

Features

- Integrated, ultra low power SRAM, real-time clock, power-fail control circuit, battery, and crystal
- BCD coded year, month, day, date, hours, minutes, and seconds
- Automatic power-fail chip deselect and WRITE protection
- WRITE protect voltage
 $V_{CC} = 4.5 \text{ to } 5.5 \text{ V}$; $4.1 \text{ V} \leq V_{PFD} \leq 4.5 \text{ V}$
 (V_{PFD} = power-fail deselect voltage)
- Conventional SRAM operation; unlimited WRITE cycles
- Software-controlled clock calibration for high accuracy applications
- 10 years of data retention and clock operation in the absence of power
- Self-contained battery and crystal in the DIP package
- Pin and function compatible with JEDEC standard 128 K x 8 SRAMs
- RoHS compliant
 - Lead-free second level interconnect



Contents

| | | |
|----------|-----------------------------------------------------------|-----------|
| 1 | Description | 5 |
| 2 | Operation modes | 7 |
| 2.1 | READ mode | 8 |
| 2.2 | WRITE mode | 9 |
| 2.3 | Data retention mode | 10 |
| 3 | Clock operations | 11 |
| 3.1 | Reading the clock | 11 |
| 3.2 | Setting the clock | 11 |
| 3.3 | Stopping and starting the oscillator | 11 |
| 3.4 | Calibrating the clock | 12 |
| 3.5 | V _{CC} noise and negative going transients | 14 |
| 4 | Maximum ratings | 15 |
| 5 | DC and AC parameters | 16 |
| 6 | Package mechanical data | 19 |
| 7 | Environmental information | 20 |
| 8 | Part numbering | 21 |
| 9 | Revision history | 22 |

List of tables

| | | |
|-----------|-----------------------------------------------------------------------|----|
| Table 1. | Signal names | 5 |
| Table 2. | Operating modes | 7 |
| Table 3. | READ mode AC characteristics | 8 |
| Table 4. | WRITE mode AC characteristics | 10 |
| Table 5. | Register map | 12 |
| Table 6. | Absolute maximum ratings | 15 |
| Table 7. | Operating and AC measurement conditions. | 16 |
| Table 8. | Capacitance | 16 |
| Table 9. | DC characteristics. | 17 |
| Table 10. | Power down/up AC characteristics | 18 |
| Table 11. | Power down/up trip points DC characteristics | 18 |
| Table 12. | PMDIP32 – 32-pin plastic module DIP, package mechanical data. | 19 |
| Table 13. | Ordering information scheme | 21 |
| Table 14. | Document revision history | 22 |

Obsolete Product(s) - Obsolete Product(s)

List of figures

| | | |
|------------|------------------------------------------------------|----|
| Figure 1. | Logic diagram | 5 |
| Figure 2. | DIP connections | 6 |
| Figure 3. | Block diagram | 6 |
| Figure 4. | READ mode AC waveforms | 8 |
| Figure 5. | WRITE enable controlled, WRITE AC waveform | 9 |
| Figure 6. | Chip enable controlled, WRITE AC waveforms | 9 |
| Figure 7. | Crystal accuracy across temperature | 13 |
| Figure 8. | Clock calibration | 13 |
| Figure 9. | Supply voltage protection | 14 |
| Figure 10. | AC testing load circuit | 16 |
| Figure 11. | Power down/up mode AC waveforms | 18 |
| Figure 12. | Recycling symbols | 20 |

Obsolete Product(s) - Obsolete Product(s)

1 Description

The M48T128Y TIMEKEEPER® RAM is a 128 Kb x 8 non-volatile static RAM and real-time clock. The special DIP package provides a fully integrated battery-backed memory and real-time clock solution. The M48T128Y directly replaces industry standard 128 Kb x 8 SRAM.

It also provides the non-volatility of Flash without any requirement for special WRITE timing or limitations on the number of WRITES that can be performed. The 32-pin, 600 mil DIP hybrid houses a controller chip, SRAM, quartz crystal, and a long-life lithium button cell in a single package.

Figure 1. Logic diagram

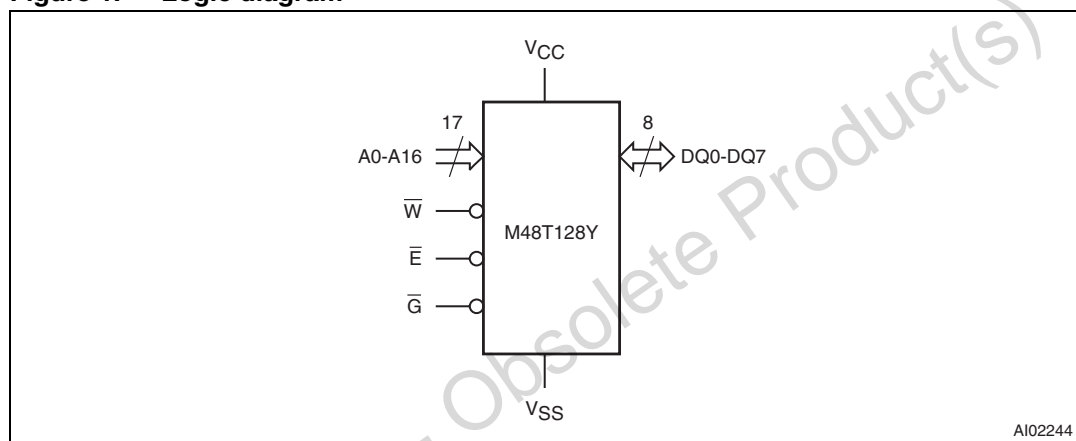


Table 1. Signal names

| | |
|-----------------|--------------------------|
| A0-A16 | Address inputs |
| DQ0-DQ7 | Data inputs / outputs |
| \bar{E} | Chip enable |
| \bar{G} | Output enable |
| \bar{W} | WRITE enable |
| V _{CC} | Supply voltage |
| V _{SS} | Ground |
| NC | Not connected internally |

Description

M48T128Y

Figure 2. DIP connections

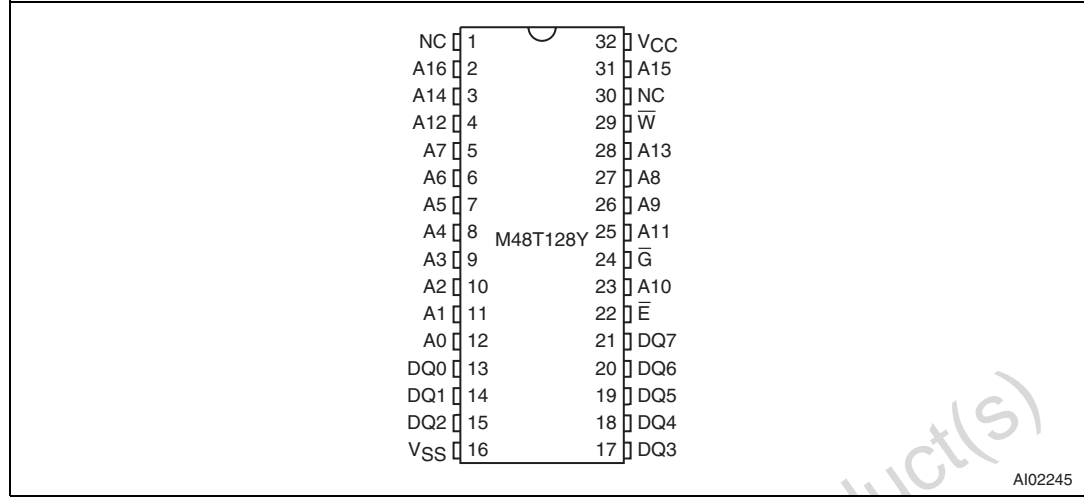
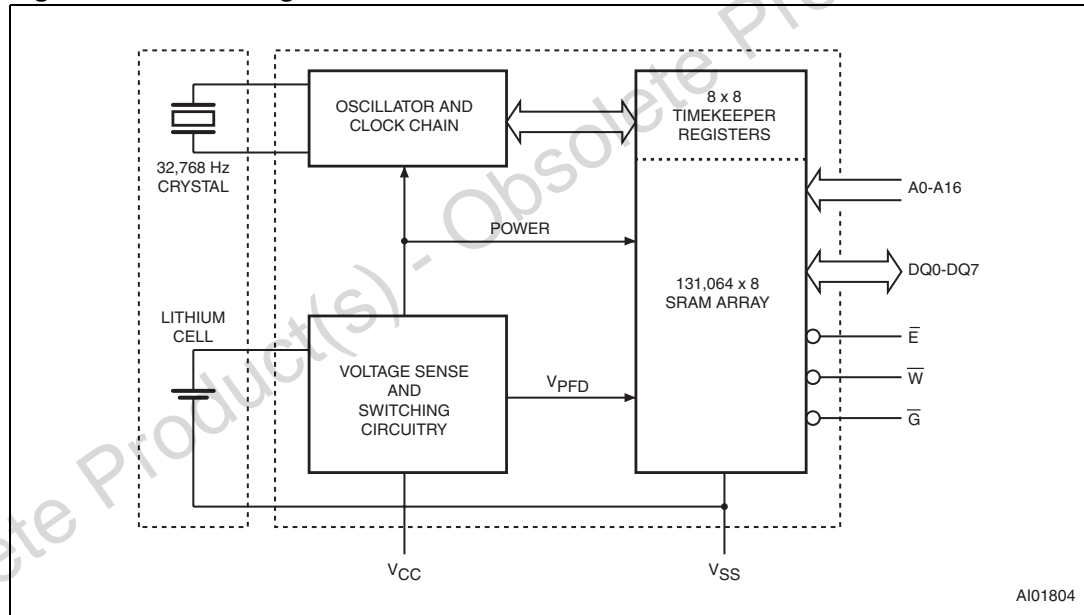


Figure 3. Block diagram



2 Operation modes

Figure 3 on page 6 illustrates the static memory array and the quartz controlled clock oscillator. The clock locations contain the year, month, date, day, hour, minute, and second in 24 hour BCD format. Corrections for 28, 29 (leap year - valid until 2100), 30, and 31 day months are made automatically. Byte 1FFF8h is the clock control register. This byte controls user access to the clock information and also stores the clock calibration setting. The seven clock bytes (1FFFh - 1FFF8h) are not the actual clock counters, they are memory locations consisting of BiPORT™ READ/WRITE memory cells within the static RAM array. The M48T128Y includes a clock control circuit which updates the clock bytes with current information once per second. The information can be accessed by the user in the same manner as any other location in the static memory array. The M48T128Y also has its own power-fail detect circuit. This control circuitry constantly monitors the supply voltage for an out of tolerance condition. When V_{CC} is out of tolerance, the circuit write protects the TIMEKEEPER® register data and external SRAM, providing data security in the midst of unpredictable system operation. As V_{CC} falls below the battery backup switchover voltage (V_{SO}), the control circuitry automatically switches to the battery, maintaining data and clock operation until valid power is restored.

Table 2. Operating modes

| Mode | V_{CC} | \bar{E} | \bar{G} | \bar{W} | DQ0-DQ7 | Power |
|----------|--------------------------------------------|-----------|-----------|-----------|-----------|---------------------|
| Deselect | 4.5 to 5.5 V | V_{IH} | X | X | High Z | Standby |
| WRITE | | V_{IL} | X | V_{IL} | D_{IN} | Active |
| READ | | V_{IL} | V_{IL} | V_{IH} | D_{OUT} | Active |
| READ | | V_{IL} | V_{IH} | V_{IH} | High Z | Active |
| Deselect | V_{SO} to V_{PFD} (min) ⁽¹⁾ | X | X | X | High Z | CMOS standby |
| Deselect | $\leq V_{SO}$ ⁽¹⁾ | X | X | X | High Z | Battery backup mode |

1. See Table 11 on page 18 for details.

Note: $X = V_{IH}$ or V_{IL} ; V_{SO} = battery backup switchover voltage.

Operation modes

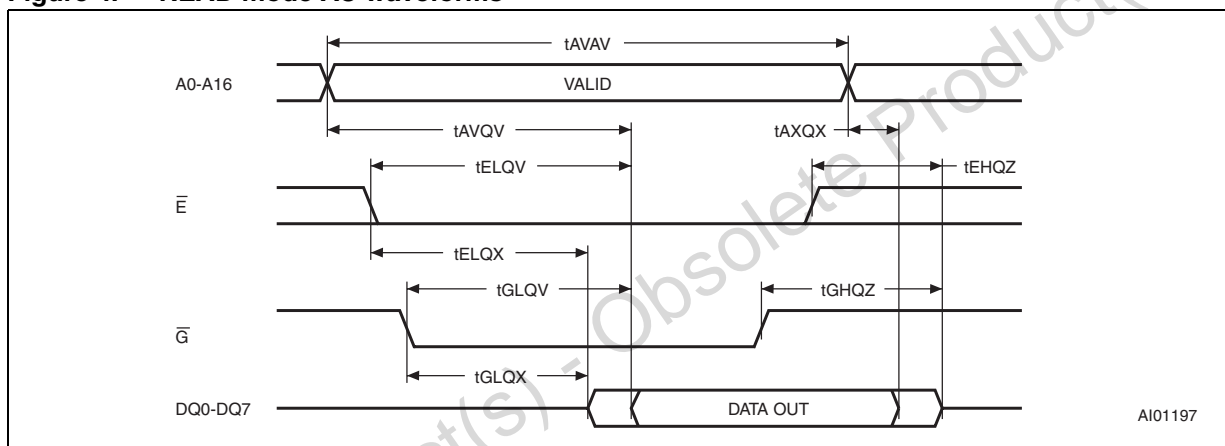
M48T128Y

2.1 READ mode

The M48T128Y is in the READ mode whenever \overline{W} (WRITE enable) is high and \overline{E} (chip enable) is low. The unique address specified by the 17 address inputs defines which one of the 131,072 bytes of data is to be accessed.

Valid data will be available at the data I/O pins within t_{AVQV} (address access time) after the last address input signal is stable, providing the \overline{E} and \overline{G} access times are also satisfied. If the \overline{E} and \overline{G} access times are not met, valid data will be available after the latter of the chip enable access times (t_{ELQV}) or output enable access time (t_{GLQV}). The state of the eight three-state data I/O signals is controlled by \overline{E} and \overline{G} . If the outputs are activated before t_{AVQV} , the data lines will be driven to an indeterminate state until t_{AVQV} . If the address inputs are changed while \overline{E} and \overline{G} remain active, output data will remain valid for t_{AXQX} (output data hold time) but will go indeterminate until the next address access.

Figure 4. READ mode AC waveforms



Note: $\overline{WE} = \text{High}$.

Table 3. READ mode AC characteristics

| Symbol | Parameter ⁽¹⁾ | M48T128Y | | Unit |
|------------------|-----------------------------------------|----------|-----|------|
| | | Min | Max | |
| t_{AVAV} | READ cycle time | 70 | | ns |
| t_{AVQV} | Address valid to output valid | | 70 | ns |
| t_{ELQV} | Chip enable low to output valid | | 70 | ns |
| t_{GLQV} | Output enable low to output valid | | 40 | ns |
| $t_{ELQX}^{(2)}$ | Chip enable low to output transition | 5 | | ns |
| $t_{GLQX}^{(2)}$ | Output enable low to output transition | 5 | | ns |
| $t_{EHQZ}^{(2)}$ | Chip enable high to output Hi-Z | | 25 | ns |
| $t_{GHQZ}^{(2)}$ | Output enable high to output Hi-Z | | 25 | ns |
| t_{AXQX} | Address transition to output transition | 10 | | ns |

1. Valid for ambient operating temperature: $T_A = 0$ to 70 °C; $V_{CC} = 4.5$ to 5.5 V (except where noted).

2. $C_L = 5$ pF.

2.2 WRITE mode

The M48T128Y is in the WRITE mode whenever \bar{W} (WRITE enable) and \bar{E} (chip enable) are low state after the address inputs are stable.

The start of a WRITE is referenced from the latter occurring falling edge of \bar{W} or \bar{E} . A WRITE is terminated by the earlier rising edge of \bar{W} or \bar{E} . The addresses must be held valid throughout the cycle. \bar{E} or \bar{W} must return high for a minimum of t_{EHAX} from chip enable or t_{WHAX} from WRITE enable prior to the initiation of another READ or WRITE cycle. Data-in must be valid t_{DVWH} prior to the end of WRITE and remain valid for t_{WHDX} afterward. \bar{G} should be kept high during WRITE cycles to avoid bus contention; although, if the output bus has been activated by a low on \bar{E} and \bar{G} a low on \bar{W} will disable the outputs t_{WLQZ} after \bar{W} falls.

Figure 5. WRITE enable controlled, WRITE AC waveform

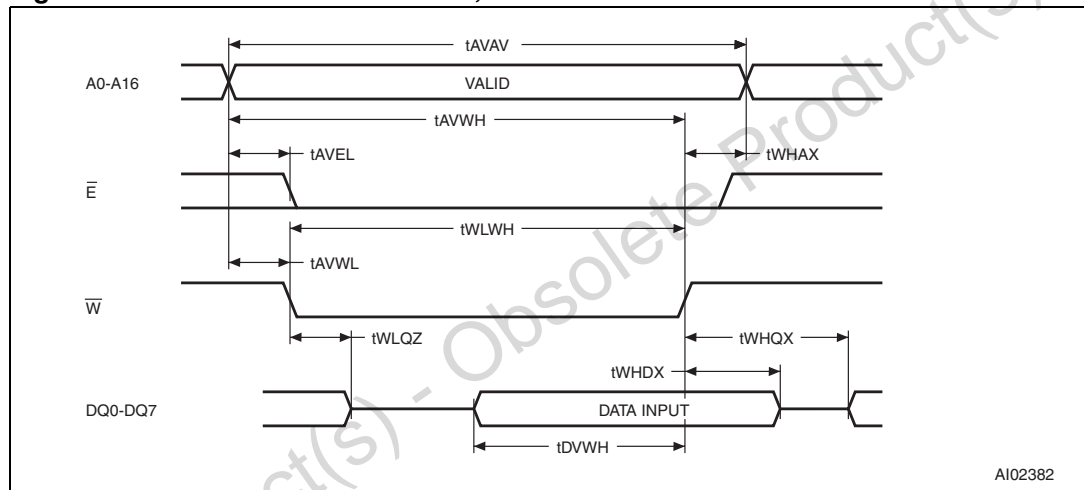
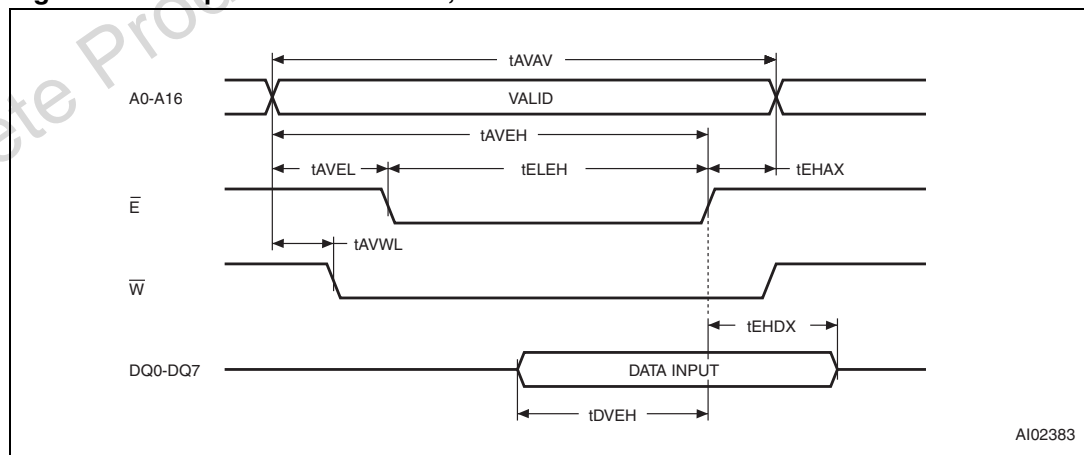


Figure 6. Chip enable controlled, WRITE AC waveforms



Operation modes

M48T128Y

Table 4. WRITE mode AC characteristics

| Symbol | Parameter ⁽¹⁾ | M48T128Y | | Unit |
|---------------------|-----------------------------------------|----------|-----|------|
| | | Min | Max | |
| t_{AVAV} | WRITE cycle time | 70 | | ns |
| t_{AVWL} | Address valid to WRITE enable low | 0 | | ns |
| t_{AVEL} | Address valid to chip enable low | 0 | | ns |
| t_{WLWH} | WRITE enable pulse width | 50 | | ns |
| t_{ELEH} | Chip enable low to chip enable 1 high | 55 | | ns |
| t_{WHAX} | WRITE enable high to address transition | 5 | | ns |
| t_{EHAX} | Chip enable high to address transition | 10 | | ns |
| t_{DVWH} | Input valid to WRITE enable high | 30 | | ns |
| t_{DVEH} | Input valid to chip enable high | 30 | | ns |
| t_{WHDX} | WRITE enable high to input transition | 5 | | ns |
| t_{EHDX} | Chip enable high to input transition | 10 | | ns |
| $t_{WLQZ}^{(2)(3)}$ | WRITE enable low to output Hi-Z | | 25 | ns |
| t_{AVWH} | Address valid to WRITE enable high | 60 | | ns |
| t_{AVEH} | Address valid to chip enable high | 60 | | ns |
| $t_{WHQX}^{(2)(3)}$ | WRITE enable high to output transition | 5 | | ns |

- Valid for ambient operating temperature: $T_A = 0$ to 70 °C; $V_{CC} = 4.5$ to 5.5 V (except where noted).
- $C_L = 5$ pF.
- If \bar{E} goes low simultaneously with \bar{W} going low, the outputs remain in the high impedance state.

2.3 Data retention mode

With valid V_{CC} applied, the M48T128Y operates as a conventional BYTEWIDE™ static RAM. Should the supply voltage decay, the RAM will automatically power-fail deselect, write protecting itself when V_{CC} falls within the V_{PFD} (max), V_{PFD} (min) window. All outputs become high impedance, and all inputs are treated as “Don't care.”

Note: A power failure during a WRITE cycle may corrupt data at the currently addressed location, but does not jeopardize the rest of the RAM's content. At voltages below V_{PFD} (min), the user can be assured the memory will be in a write protected state, provided the V_{CC} fall time is not less than t_F . The M48T128Y/ may respond to transient noise spikes on V_{CC} that reach into the deselect window during the time the device is sampling V_{CC} . Therefore, decoupling of the power supply lines is recommended.

When V_{CC} drops below V_{SO} , the control circuit switches power to the internal battery, preserving data and powering the clock. The internal energy source will maintain data in the M48T128Y for an accumulated period of at least 10 years at room temperature. As system power rises above V_{SO} , the battery is disconnected, and the power supply is switched to external V_{CC} . Deselect continues for t_{REC} after V_{CC} reaches V_{PFD} (max).

3 Clock operations

3.1 Reading the clock

Updates to the TIMEKEEPER[®] registers should be halted before clock data is read to prevent reading data in transition. The BiPORT[™] TIMEKEEPER cells in the RAM array are only data registers and not the actual clock counters, so updating the registers can be halted without disturbing the clock itself.

Updating is halted when a '1' is written to the READ bit, D6 in the control register (1FFF8h). As long as a '1' remains in that position, updating is halted. After a halt is issued, the registers reflect the count; that is, the day, date, and time that were current at the moment the halt command was issued. All of the TIMEKEEPER registers are updated simultaneously. A halt will not interrupt an update in progress. Updating is within a second after the bit is reset to a '0.'

3.2 Setting the clock

Bit D7 of the control register (1FFF8h) is the WRITE bit. Setting the WRITE bit to a '1,' like the READ bit, halts updates to the TIMEKEEPER registers. The user can then load them with the correct day, date, and time data in 24-hour BCD format (see [Table 5 on page 12](#)). Resetting the WRITE bit to a '0' then transfers the values of all time registers 1FFFFh-1FFF9h to the actual TIMEKEEPER counters and allows normal operation to resume. After the WRITE bit is reset, the next clock update will occur one second later.

3.3 Stopping and starting the oscillator

The oscillator may be stopped at any time. If the device is going to spend a significant amount of time on the shelf, the oscillator can be turned off to minimize current drain on the battery. The STOP bit is located at bit D7 within 1FFF9h. Setting it to a '1' stops the oscillator. The M48T128Y is shipped from STMicroelectronics with the STOP bit set to a '1.' When reset to a '0,' the M48T128Y oscillator starts after one second.

Clock operations

M48T128Y

Table 5. Register map

| Address | Data | | | | | | | | Function/range BCD format | |
|---------|----------|------------|----------|-------------|---------|-----|----|---------|------------------------------|-------|
| | D7 | D6 | D5 | D4 | D3 | D2 | D1 | D0 | | |
| 1FFFFh | 10 years | | | | Year | | | | Year | 00-99 |
| 1FFFEh | 0 | 0 | 0 | 10 M | Month | | | | Month | 01-12 |
| 1FFFDh | 0 | 0 | 10 date | | Date | | | | Date | 01-31 |
| 1FFFCCh | 0 | FT | 0 | 0 | 0 | Day | | | Day | 01-07 |
| 1FFFBh | 0 | 0 | 10 hours | | Hours | | | | Hours | 00-23 |
| 1FFFAh | 0 | 10 minutes | | | Minutes | | | | Minutes | 00-59 |
| 1FFF9h | ST | 10 seconds | | | Seconds | | | | Seconds | 00-59 |
| 1FFF8h | W | R | S | Calibration | | | | Control | | |

Keys:

- S = SIGN bit
- R = READ bit
- W = WRITE bit
- ST = STOP bit
- 0 = Must be set to '0'
- Z = '0' and are Read only
- Y = '1' or '0'

3.4 Calibrating the clock

The M48T128Y is driven by a quartz controlled oscillator with a nominal frequency of 32,768 Hz. The devices are factory calibrated at 25 °C and tested for accuracy. Clock accuracy will not exceed 35 ppm (parts per million) oscillator frequency error at 25 °C, which equates to about ±1.53 minutes per month. When the Calibration circuit is properly employed, accuracy improves to better than +1/–2 ppm at 25 °C. The oscillation rate of crystals changes with temperature (see [Figure 7 on page 13](#)). The M48T128Y design employs periodic counter correction. The calibration circuit adds or subtracts counts from the oscillator divider circuit at the divide by 128 stage, as shown in [Figure 8 on page 13](#).

The number of times pulses are blanked (subtracted, negative calibration) or split (added, positive calibration) depends upon the value loaded into the five calibration bits found in the control register. Adding counts speeds the clock up, subtracting counts slows the clock down. The calibration bits occupy the five lower order bits (D4-D0) in the control register 1FFF8h. These bits can be set to represent any value between 0 and 31 in binary form. Bit D5 is a sign bit; '1' indicates positive calibration, '0' indicates negative calibration. Calibration occurs within a 64 minute cycle. The first 62 minutes in the cycle may, once per minute, have one second either shortened by 128 or lengthened by 256 oscillator cycles. If a binary '1' is loaded into the register, only the first 2 minutes in the 64 minute cycle will be modified; if a binary 6 is loaded, the first 12 will be affected, and so on. Therefore, each calibration step has the effect of adding 512 or subtracting 256 oscillator cycles for every 125, 829, 120 actual oscillator cycles, that is +4.068 or –2.034 ppm of adjustment per calibration step in the calibration register. Assuming that the oscillator is running at exactly 32,768 Hz, each of the 31 increments in the calibration byte would represent +10.7 or –5.35 seconds per month which corresponds to a total range of +5.5 or –2.75 minutes per month.

M48T128Y

Clock operations

One method is available for ascertaining how much calibration a given M48T128Y may require. This involves setting the clock, letting it run for a month and comparing it to a known accurate reference and recording deviation over a fixed period of time.

Calibration values, including the number of seconds lost or gained in a given period, can be found in the STMicroelectronics application note, "TIMEKEEPER calibration."

This allows the designer to give the end user the ability to calibrate the clock as the environment requires, even if the final product is packaged in a non-user serviceable enclosure. The designer could provide a simple utility that accesses the calibration byte. For example, a deviation of 21 seconds slow over a period of 30 days would indicate a -8 ppm oscillator frequency error, requiring a +2(WR100010) to be loaded into the calibration byte for correction.

Figure 7. Crystal accuracy across temperature

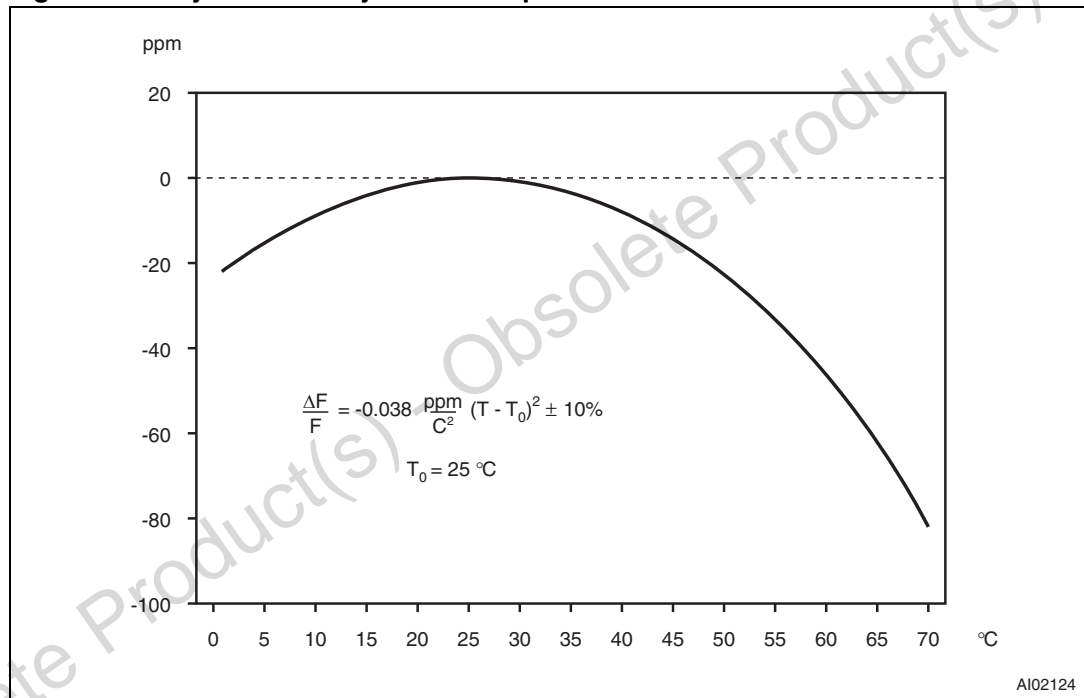
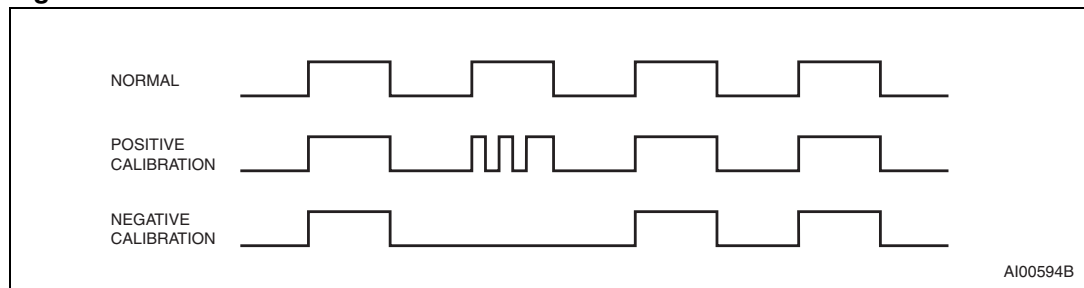


Figure 8. Clock calibration

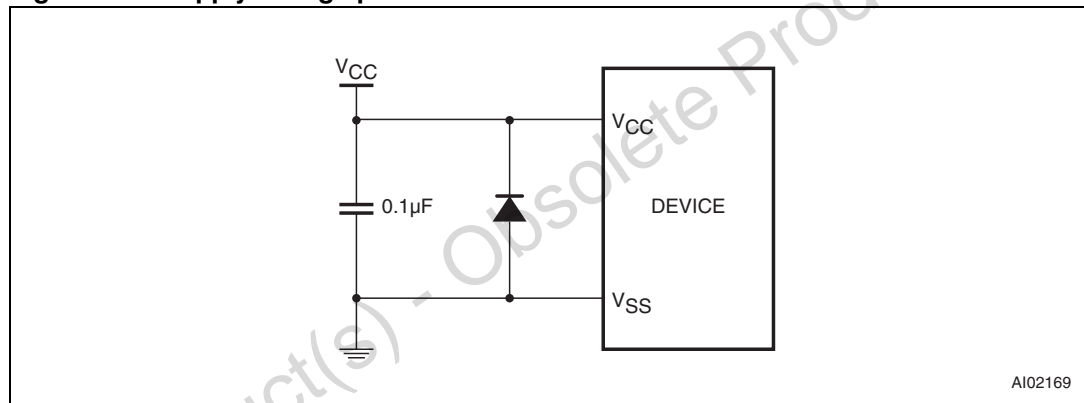


3.5 V_{CC} noise and negative going transients

I_{CC} transients, including those produced by output switching, can produce voltage fluctuations, resulting in spikes on the V_{CC} bus. These transients can be reduced if capacitors are used to store energy which stabilizes the V_{CC} bus. The energy stored in the bypass capacitors will be released as low going spikes are generated or energy will be absorbed when overshoots occur. A ceramic bypass capacitor value of $0.1 \mu\text{F}$ (as shown in [Figure 9](#)) is recommended in order to provide the needed filtering.

In addition to transients that are caused by normal SRAM operation, power cycling can generate negative voltage spikes on V_{CC} that drive it to values below V_{SS} by as much as one volt. These negative spikes can cause data corruption in the SRAM while in battery backup mode. To protect from these voltage spikes, it is recommended to connect a Schottky diode from V_{CC} to V_{SS} (cathode connected to V_{CC} , anode to V_{SS}). Schottky diode 1N5817 is recommended for through hole and MBR5120T3 is recommended for surface mount.

Figure 9. Supply voltage protection



AI02169

4 Maximum ratings

Stressing the device above the rating listed in the absolute maximum ratings table may cause permanent damage to the device. These are stress ratings only and operation of the device at these or any other conditions above those indicated in the operating sections of this specification is not implied. Exposure to absolute maximum rating conditions for extended periods may affect device reliability.

Table 6. Absolute maximum ratings

| Symbol | Parameter | Value | Unit |
|--------------------|-----------------------------------------------------|-----------|------|
| T_A | Ambient operating temperature | 0 to 70 | °C |
| T_{STG} | Storage temperature (V_{CC} off, oscillator off) | -40 to 85 | °C |
| $T_{SLD}^{(1)(2)}$ | Lead solder temperature for 10 seconds | 260 | °C |
| V_{IO} | Input or output voltages | -0.3 to 7 | V |
| V_{CC} | Supply voltage | -0.3 to 7 | V |
| I_O | Output current | 20 | mA |
| P_D | Power dissipation | 1 | W |

1. Soldering temperature of the IC leads is to not exceed 260 °C for 10 seconds. Furthermore, the devices shall not be exposed to IR reflow nor preheat cycles (as performed as part of wave soldering). ST recommends the devices be hand-soldered or placed in sockets to avoid heat damage to the batteries.
2. For DIP packaged devices, ultrasonic vibrations should not be used for post-solder cleaning to avoid damaging the crystal.

Caution: *Negative undershoots below -0.3 V are not allowed on any pin while in the battery backup mode.*

5 DC and AC parameters

This section summarizes the operating and measurement conditions, as well as the DC and AC characteristics of the device. The parameters in the following DC and AC characteristic tables are derived from tests performed under the measurement conditions listed in the relevant tables. Designers should check that the operating conditions in their projects match the measurement conditions when using the quoted parameters.

Table 7. Operating and AC measurement conditions

| Parameter | M48T128Y | Unit |
|-----------------------------------------|------------|------|
| Supply voltage (V_{CC}) | 4.5 to 5.5 | V |
| Ambient operating temperature (T_A) | 0 to 70 | °C |
| Load capacitance (C_L) | 100 | pF |
| Input rise and fall times | ≤ 5 | ns |
| Input pulse voltages | 0 to 3 | V |
| Input and output timing ref. voltages | 1.5 | V |

Note: Output Hi-Z is defined as the point where data is no longer driven.

Figure 10. AC testing load circuit

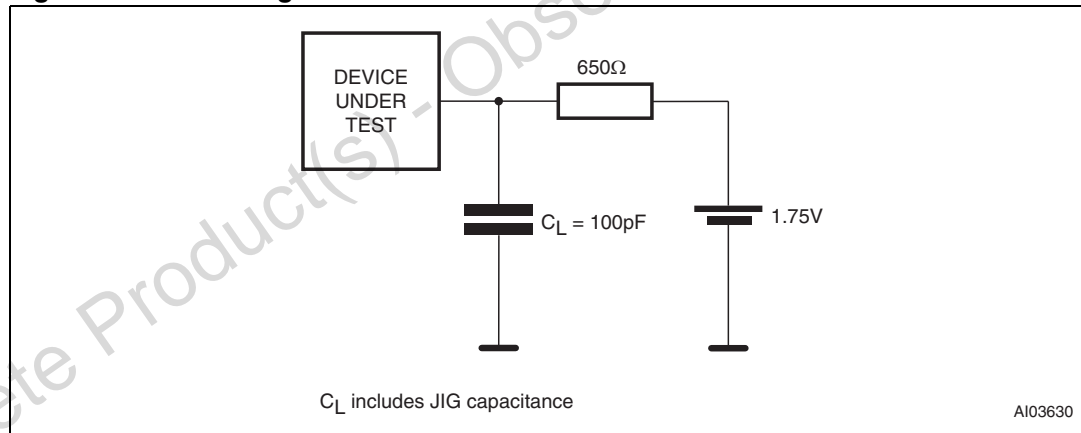


Table 8. Capacitance

| Symbol | Parameter ⁽¹⁾⁽²⁾ | Min | Max | Unit |
|----------------|-----------------------------|-----|-----|------|
| C_{IN} | Input capacitance | - | 20 | pF |
| $C_{IO}^{(3)}$ | Input / output capacitance | - | 20 | pF |

1. Effective capacitance measured with power supply at 5 V. Sampled only, not 100% tested.
2. At 25 °C, f = 1 MHz.
3. Outputs deselected.

M48T128Y

DC and AC parameters

Table 9. DC characteristics

| Symbol | Parameter | Test condition ⁽¹⁾ | M48T128Y | | Unit |
|----------------|-------------------------------|---------------------------------------|----------|----------------|---------------|
| | | | Min | Max | |
| I_{LI} | Input leakage current | $0\text{ V} \leq V_{IN} \leq V_{CC}$ | | ± 2 | μA |
| $I_{LO}^{(2)}$ | Output leakage current | $0\text{ V} \leq V_{OUT} \leq V_{CC}$ | | ± 2 | μA |
| I_{CC} | Supply current | Outputs open | | 95 | mA |
| I_{CC1} | Supply current (standby) TTL | $\bar{E} = V_{IH}$ | | 8 | mA |
| I_{CC2} | Supply current (standby) CMOS | $\bar{E} = V_{CC} - 0.2\text{ V}$ | | 4 | mA |
| V_{IL} | Input low voltage | | -0.3 | 0.8 | V |
| V_{IH} | Input high voltage | | 2.2 | $V_{CC} + 0.3$ | V |
| V_{OL} | Output low voltage | $I_{OL} = 2.1\text{ mA}$ | | 0.4 | V |
| V_{OH} | Output high voltage | $I_{OH} = -1\text{ mA}$ | 2.4 | | V |

1. Valid for ambient operating temperature: $T_A = 0$ to $70\text{ }^\circ\text{C}$; $V_{CC} = 4.5$ to 5.5 V (except where noted).

2. Outputs deselected.

DC and AC parameters

M48T128Y

Figure 11. Power down/up mode AC waveforms

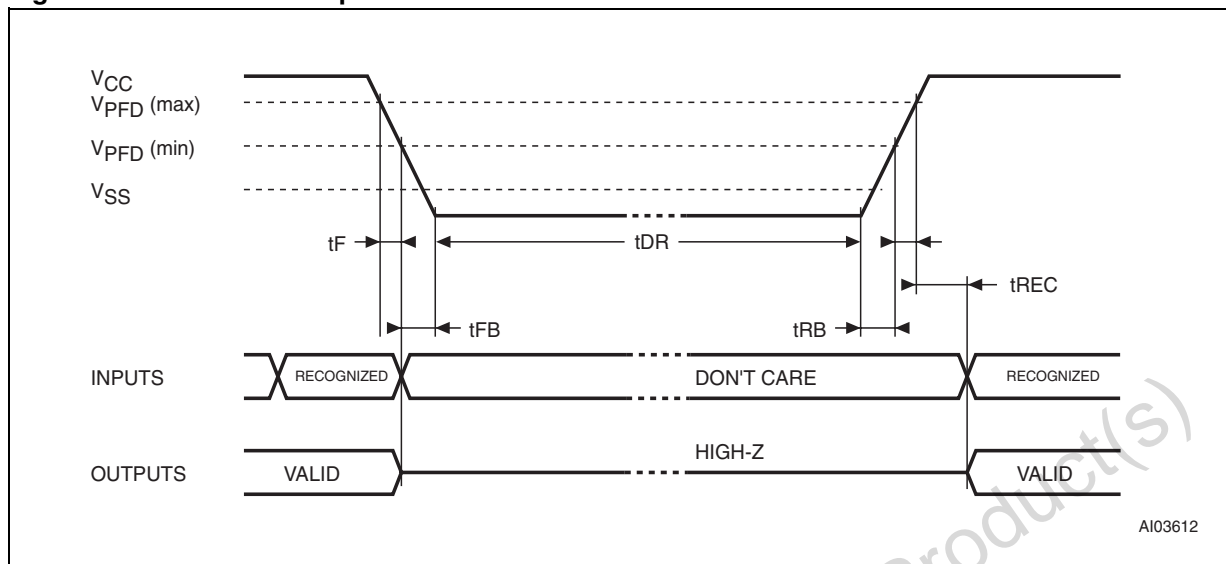


Table 10. Power down/up AC characteristics

| Symbol | Parameter ⁽¹⁾ | Min | Max | Unit |
|----------------|-------------------------------------------------------|-----|-----|---------|
| $t_F^{(2)}$ | $V_{PFD} (max)$ to $V_{PFD} (min)$ V_{CC} fall time | 300 | | μs |
| $t_{FB}^{(3)}$ | $V_{PFD} (min)$ to V_{SS} V_{CC} fall time | 10 | | μs |
| t_R | $V_{PFD} (min)$ to $V_{PFD} (max)$ V_{CC} rise time | 0 | | μs |
| t_{RB} | V_{SS} to $V_{PFD} (min)$ V_{CC} rise time | 1 | | μs |
| t_{REC} | $V_{PFD} (max)$ to inputs recognized | 40 | 200 | ms |

- Valid for ambient operating temperature: $T_A = 0$ to $70\text{ }^\circ\text{C}$; $V_{CC} = 4.5$ to 5.5 V (except where noted).
- $V_{PFD} (max)$ to $V_{PFD} (min)$ fall time of less than t_F may result in deselection/write protection not occurring until $200\text{ }\mu s$ after V_{CC} passes $V_{PFD} (min)$.
- $V_{PFD} (min)$ to V_{SS} fall time of less than t_{FB} may cause corruption of RAM data.

Table 11. Power down/up trip points DC characteristics

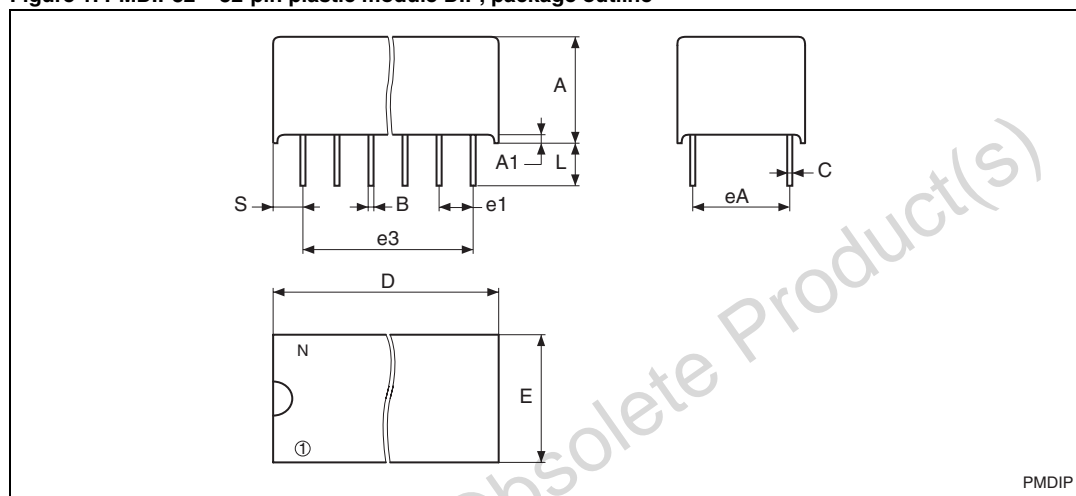
| Symbol | Parameter ⁽¹⁾⁽²⁾ | Min | Typ | Max | Unit |
|----------------|-----------------------------------|-----|------|-----|-------|
| V_{PFD} | Power-fail deselect voltage | 4.1 | 4.35 | 4.5 | V |
| V_{SO} | Battery backup switchover voltage | | 3.0 | | V |
| $t_{DR}^{(3)}$ | Expected data retention time | 10 | | | YEARS |

- All voltages referenced to V_{SS} .
- Valid for ambient operating temperature: $T_A = 0$ to $70\text{ }^\circ\text{C}$; $V_{CC} = 4.5$ to 5.5 V (except where noted).
- At $25\text{ }^\circ\text{C}$; $V_{CC} = 0\text{ V}$.

6 Package mechanical data

In order to meet environmental requirements, ST offers these devices in different grades of ECOPACK[®] packages, depending on their level of environmental compliance. ECOPACK[®] specifications, grade definitions and product status are available at: www.st.com. ECOPACK[®] is an ST trademark.

Figure 1. PMDIP32 – 32-pin plastic module DIP, package outline



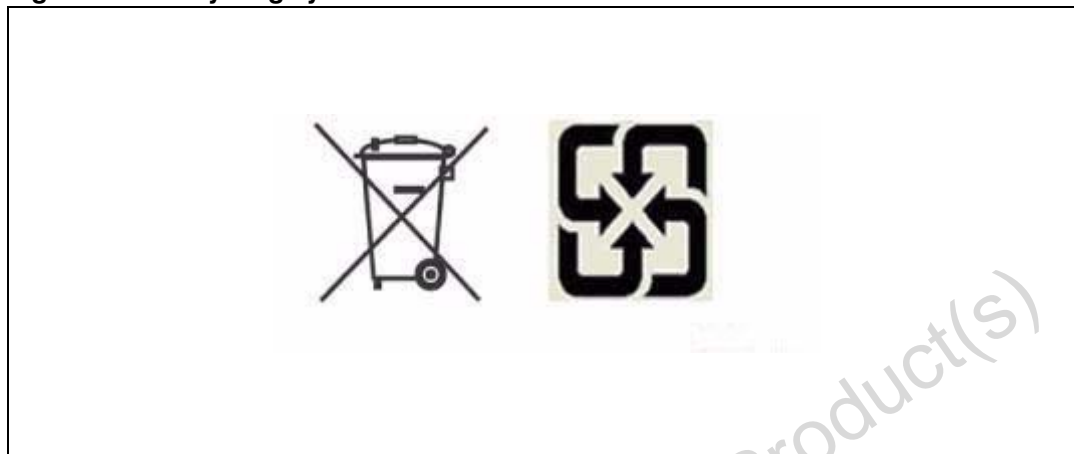
Note: Drawing is not to scale.

Table 12. PMDIP32 – 32-pin plastic module DIP, package mechanical data

| Symb | mm | | | inches | | |
|------|------|-------|-------|--------|-------|-------|
| | Typ | Min | Max | Typ | Min | Max |
| A | | 9.27 | 9.52 | | 0.365 | 0.375 |
| A1 | | 0.38 | – | | 0.015 | – |
| B | | 0.43 | 0.59 | | 0.017 | 0.023 |
| C | | 0.20 | 0.33 | | 0.008 | 0.013 |
| D | | 42.42 | 43.18 | | 1.670 | 1.700 |
| E | | 18.03 | 18.80 | | 0.710 | 0.740 |
| e1 | | 2.29 | 2.79 | | 0.090 | 0.110 |
| e3 | 38.1 | | | 1.5 | | |
| eA | | 14.99 | 16.00 | | 0.590 | 0.630 |
| L | | 3.05 | 3.81 | | 0.120 | 0.150 |
| S | | 1.91 | 2.79 | | 0.075 | 0.110 |
| N | | 32 | | | 32 | |

7 Environmental information

Figure 12. Recycling symbols



This product contains a non-rechargeable lithium (lithium carbon monofluoride chemistry) button cell battery fully encapsulated in the final product.

Recycle or dispose of batteries in accordance with the battery manufacturer's instructions and local/national disposal and recycling regulations.

8 Part numbering

Table 13. Ordering information scheme

| | | | | | |
|---------------------------------------------------------------------------------------|------|------|-----|----|---|
| Example: | M48T | 128Y | -70 | PM | 1 |
| Device type | | | | | |
| M48T | | | | | |
| Supply voltage and write protect voltage | | | | | |
| 128Y ⁽¹⁾ = V _{CC} = 4.5 to 5.5 V; V _{PFD} = 4.1 to 4.5 V | | | | | |
| Speed | | | | | |
| -70 = 70 ns | | | | | |
| Package | | | | | |
| PM = PMDIP32 | | | | | |
| Temperature range | | | | | |
| 1 = 0 to 70°C | | | | | |
| Shipping method | | | | | |
| blank = Ecopack [®] package, tubes | | | | | |

1. Device is not recommended for new design. Contact local ST sales office for availability.

For other options, or for more information on any aspect of this device, please contact the ST sales office nearest you.

9 Revision history

Table 14. Document revision history

| Date | Revision | Changes |
|-------------|----------|------------------------------------------------------------------------------------------------------------------------------------------------------------------------------------------------------------------------------------------------------------------|
| Jun-1998 | 1 | First issue |
| 31-Jan-2000 | 1.1 | Calibrating the clock paragraph changed |
| 30-Mar-2000 | 1.2 | Storage temperature changed (Table 6) |
| 20-Jul-2001 | 2 | Reformatted; temperature information added to tables (Table 8 , 9 , 3 , 4 , 10 , 11) |
| 21-Sep-2001 | 2.1 | Corrected speed grade in ordering information |
| 23-May-2002 | 2.2 | Add countries to disclaimer; add marketing status |
| 07-Aug-2002 | 2.3 | Refine marketing status text |
| 28-Mar-2003 | 3 | v2.2 template applied; test condition updated (Table 11) |
| 06-Aug-2004 | 4 | Reformatted; updated register map (Table 5) |
| 22-Feb-2005 | 5 | IR reflow update (Table 6) |
| 18-Jun-2010 | 6 | Updated Features , Section 4 , Table 12 , 13 ; added ECOPACK [®] text to Section 6 ; added Section 7: Environmental information ; reformatted document. |
| 19-Sep-2011 | 7 | Device is not recommended for new design (updated cover page, Table 13); updated footnote of Table 6 ; updated Section 7: Environmental information ; removed M48T128V. |

M48T128Y

Please Read Carefully:

Information in this document is provided solely in connection with ST products. STMicroelectronics NV and its subsidiaries ("ST") reserve the right to make changes, corrections, modifications or improvements, to this document, and the products and services described herein at any time, without notice.

All ST products are sold pursuant to ST's terms and conditions of sale.

Purchasers are solely responsible for the choice, selection and use of the ST products and services described herein, and ST assumes no liability whatsoever relating to the choice, selection or use of the ST products and services described herein.

No license, express or implied, by estoppel or otherwise, to any intellectual property rights is granted under this document. If any part of this document refers to any third party products or services it shall not be deemed a license grant by ST for the use of such third party products or services, or any intellectual property contained therein or considered as a warranty covering the use in any manner whatsoever of such third party products or services or any intellectual property contained therein.

UNLESS OTHERWISE SET FORTH IN ST'S TERMS AND CONDITIONS OF SALE ST DISCLAIMS ANY EXPRESS OR IMPLIED WARRANTY WITH RESPECT TO THE USE AND/OR SALE OF ST PRODUCTS INCLUDING WITHOUT LIMITATION IMPLIED WARRANTIES OF MERCHANTABILITY, FITNESS FOR A PARTICULAR PURPOSE (AND THEIR EQUIVALENTS UNDER THE LAWS OF ANY JURISDICTION), OR INFRINGEMENT OF ANY PATENT, COPYRIGHT OR OTHER INTELLECTUAL PROPERTY RIGHT.

UNLESS EXPRESSLY APPROVED IN WRITING BY TWO AUTHORIZED ST REPRESENTATIVES, ST PRODUCTS ARE NOT RECOMMENDED, AUTHORIZED OR WARRANTED FOR USE IN MILITARY, AIR CRAFT, SPACE, LIFE SAVING, OR LIFE SUSTAINING APPLICATIONS, NOR IN PRODUCTS OR SYSTEMS WHERE FAILURE OR MALFUNCTION MAY RESULT IN PERSONAL INJURY, DEATH, OR SEVERE PROPERTY OR ENVIRONMENTAL DAMAGE. ST PRODUCTS WHICH ARE NOT SPECIFIED AS "AUTOMOTIVE GRADE" MAY ONLY BE USED IN AUTOMOTIVE APPLICATIONS AT USER'S OWN RISK.

Resale of ST products with provisions different from the statements and/or technical features set forth in this document shall immediately void any warranty granted by ST for the ST product or service described herein and shall not create or extend in any manner whatsoever, any liability of ST.

ST and the ST logo are trademarks or registered trademarks of ST in various countries.

Information in this document supersedes and replaces all information previously supplied.

The ST logo is a registered trademark of STMicroelectronics. All other names are the property of their respective owners.

© 2011 STMicroelectronics - All rights reserved

STMicroelectronics group of companies

Australia - Belgium - Brazil - Canada - China - Czech Republic - Finland - France - Germany - Hong Kong - India - Israel - Italy - Japan - Malaysia - Malta - Morocco - Philippines - Singapore - Spain - Sweden - Switzerland - United Kingdom - United States of America

www.st.com