

Excellent Integrated System Limited

Stocking Distributor

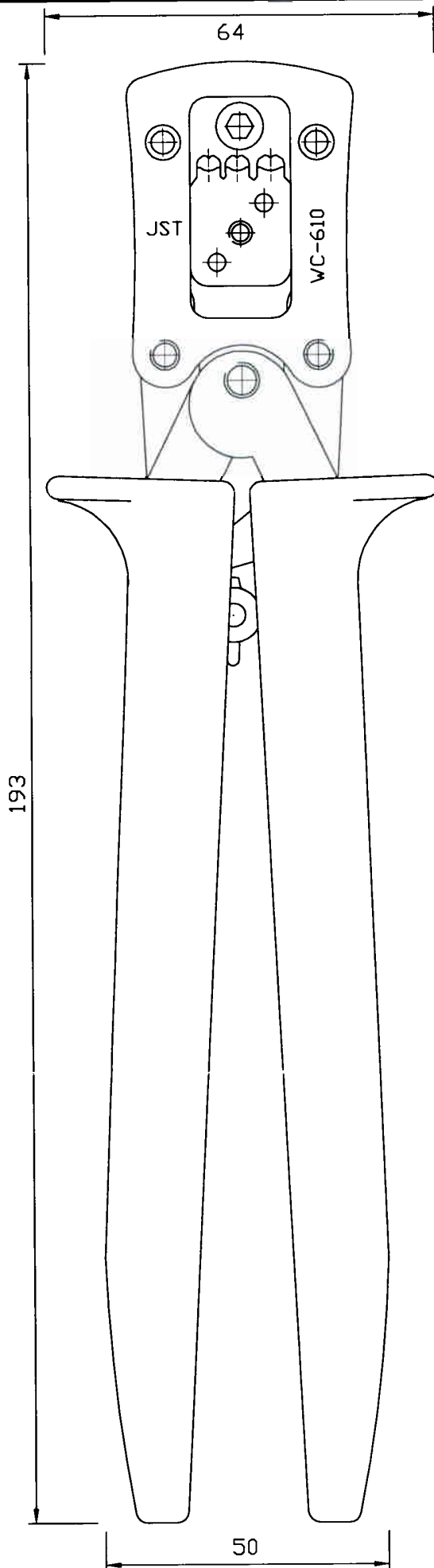
Click to view price, real time Inventory, Delivery & Lifecycle Information:

[JST Sales America Inc.](#)
[WC-610](#)

For any questions, you can email us directly:

sales@integrated-circuit.com

DWG: JUKCT-023-01-00



JST

Hand crimping tool
 Type: WC-610

Features

Parallel action operation

Ratchet release

Easy readjustment of load

Contact locator with insulation-stop

Precisely ground profiles

Ergonomic soft grips colour: green

Fully recyclable

Applicable terminal:
 ()PHD-001T-(P)0.5

Cross section range:
 Profile 1: 26 AWG
 Profile 2: 22 AWG
 Profile 3: 24 AWG

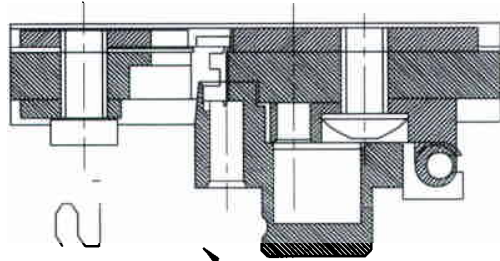
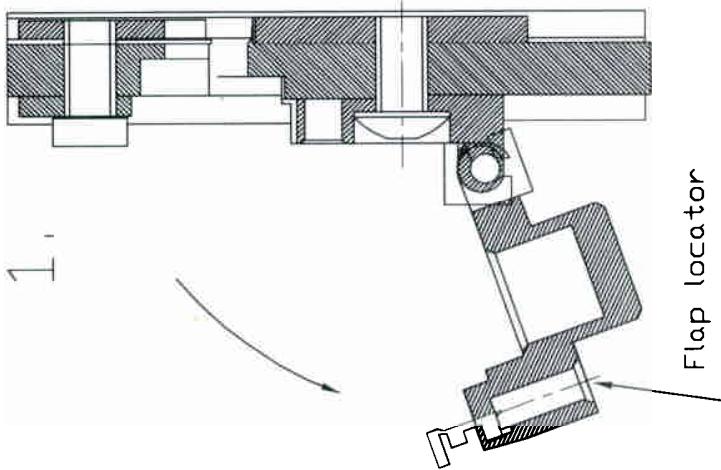
Crimp height specification
 26 AWG - 0.65mm
 24 AWG - 0.70mm
 22 AWG - 0.75mm

Operating instructions see overleaf

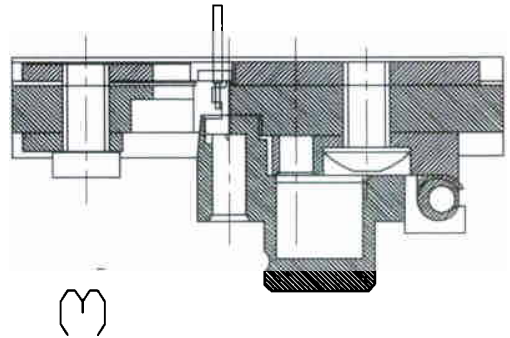
DWG: JUKCT-023-02-00

OPERATION INSTRUCTIONS

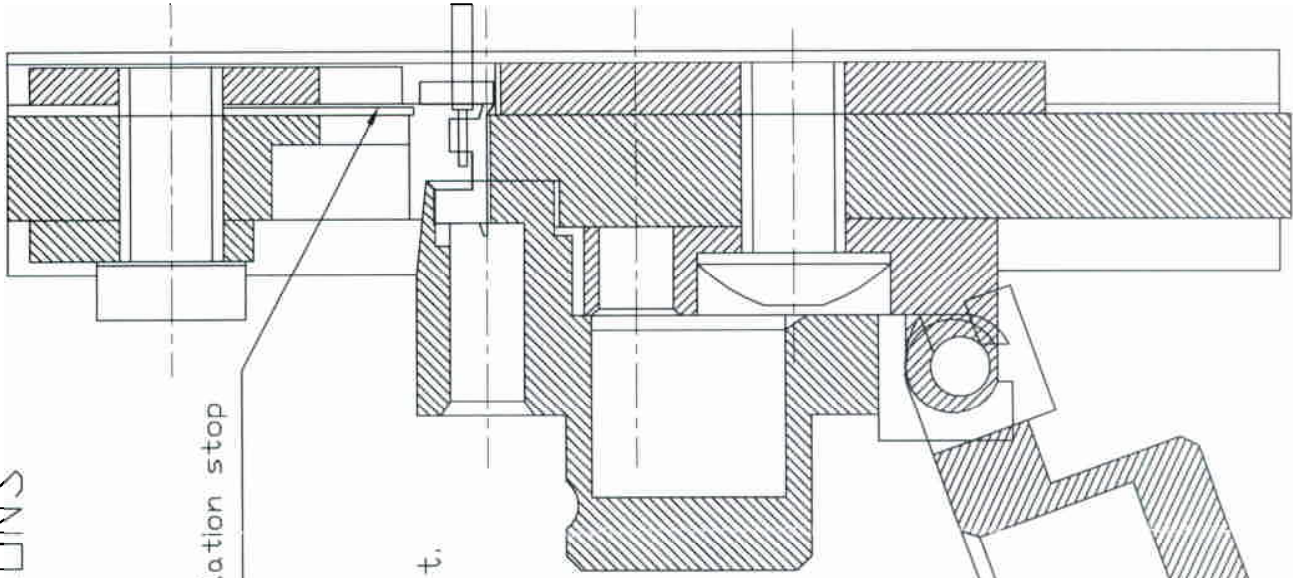
1. Open flap locator and insert contact up to stop.
2. Close flap locator.



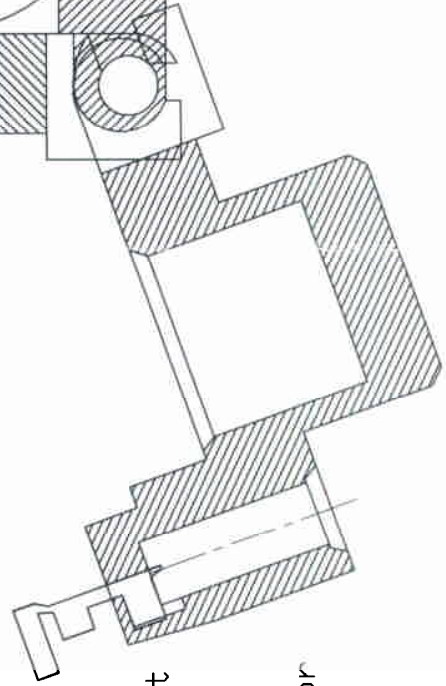
3. Close handtool until first ratchet.
4. Insert wire up to stop.



5. Close handtool until the ratchet releases.
6. Open flap locator and carefully remove the wire.



Insulation stop



3

1

2

Flap locator

Insulation stop