

Excellent Integrated System Limited

Stocking Distributor

Click to view price, real time Inventory, Delivery & Lifecycle Information:

[Analog Devices Inc.](#)
[AD766JN](#)

For any questions, you can email us directly:

sales@integrated-circuit.com



16-Bit DSP DACPORT

AD766

FEATURES

- Zero-Chip Interface to Digital Signal Processors
- Complete DACPORT®
 - On-Chip Voltage Reference
 - Voltage and Current Outputs
- Serial, Twos-Complement Input
- ±3 V Output
- Sample Rates to 390 kSPS
- 94 dB Minimum Signal-to-Noise Ratio
- 81 dB Maximum Total Harmonic Distortion
- 15-Bit Monotonicity
- ±5 V to ±12 V Operation
- 16-Pin Plastic and Ceramic Packages
- Available in Commercial, Industrial, and Military Temperature Ranges

APPLICATIONS

- Digital Signal Processing
- Noise Cancellation
- Radar Jamming
- Automatic Test Equipment
- Precision Industrial Equipment
- Waveform Generation

PRODUCT DESCRIPTION

The AD766 16-bit DSP DACPORT provides a direct, three-wire interface to the serial ports of popular DSP processors, including the ADSP-2101, TMS320CXX, and DSP56001. No additional "glue logic" is required. The AD766 is also complete, offering on-chip serial-to-parallel input format conversion, a 16-bit current-steering DAC, voltage reference, and a voltage output op amp. The AD766 is fabricated in Analog Devices' BiMOS II mixed-signal process which provides bipolar transistors, MOS transistors, and thin-film resistors for precision analog circuits in addition to CMOS devices for logic.

The design and layout of the AD766 have been optimized for ac performance and are responsible for its guaranteed and tested 94 dB signal-to-noise ratio to 20 kHz and 79 dB SNR to 250 kHz. Laser-trimming the AD766's silicon chromium thin-film resistors reduces total harmonic distortion below -81 dB (at 1 kHz), a specification also production tested. An optional linearity trim pin allows elimination of midscale differential linearity error for even lower THD with small signals.

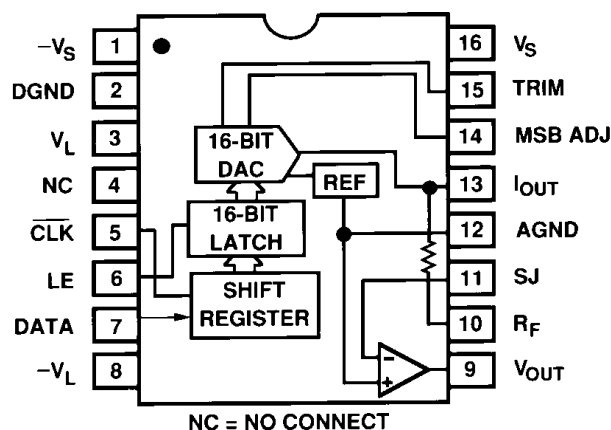
The AD766's output amplifier provides a ±3 V signal with a high slew rate, small glitch, and fast settling. The output amplifier is short circuit protected and can withstand indefinite shorts to ground.

DACPORT is a registered trademark of Analog Devices, Inc.

REV. A

Information furnished by Analog Devices is believed to be accurate and reliable. However, no responsibility is assumed by Analog Devices for its use, nor for any infringements of patents or other rights of third parties which may result from its use. No license is granted by implication or otherwise under any patent or patent rights of Analog Devices.

FUNCTIONAL BLOCK DIAGRAM



The serial interface consists of bit clock, data, and latch enable inputs. The twos-complement data word is clocked MSB first on falling clock edges into the serial-to-parallel converter, consistent with the serial protocols of popular DSP processors. The input clock can support data transfers up to 12.5 MHz. The falling edge of latch enable updates the internal DAC input register at the sample rate with the sixteen bits most recently clocked into the serial input register.

The AD766 operates over a ±5 V to ±12 V power supply range. The digital supplies, +VL and -VL, can be separated from the analog signal supplies, +Vs and -Vs, for reduced digital crosstalk. Separate analog and digital ground pins are also provided. An internal bandgap reference provides a precision voltage source to the output amp that is stable over temperature and time.

Power dissipation is typically 120 mW with ±5 V supplies and 300 mW with ±12 V. The AD766 is available in commercial (0°C to +70°C), industrial (-40°C to +85°C), and military (-55°C to +125°C) grades. Commercial and industrial grade parts are available in a 16-pin plastic DIP; military parts processed to MIL-STD-883B are packaged in a 16-pin ceramic DIP. See Analog Devices' *Military Products Databook* or current military data sheet for specifications for the military version.

AD766—SPECIFICATIONS (T_{MIN} to T_{MAX} , ± 5 V supplies, $F_S = 500$ kSPS unless otherwise noted. No deglitchers or MSB trimming is used.)

Parameter	AD766J			AD766A			Units
	Min	Typ	Max	Min	Typ	Max	
RESOLUTION			16			16	Bits
DIGITAL INPUTS							
V_{IH}	2.0		$+V_L$	2.0		$+V_L$	V
V_{IL}			0.8			0.8	V
I_{IH} , $V_{IH} = V_L$			1.0			1.0	μ A
I_{IL} , $V_{IL} = 0.4$			-10			-10	μ A
SERIAL PORT TIMING							
Serial Clock Period (t_{CLK})	95			115			ns
Serial Clock HI (t_{HI})	30			30			ns
Serial Clock LO (t_{LO})	30			70			ns
Data Valid (t_{DATA})	40			40			ns
Data Setup (t_S)	15			20			ns
Data Hold (t_H)	15			20			ns
Clock-to-Latch-Enable (t_{CTLE})	80			100			ns
Latch-Enable-to-Clock (t_{LETC})	15			15			ns
Latch Enable HI (t_{LEHI})	40			40			ns
Latch Enable LO (t_{LELO})	40			80			ns
ACCURACY ¹							
Gain Error		± 2.0			± 2.0		% of FSR
Gain Drift		± 25			± 25		ppm of FSR/ $^{\circ}$ C
Midscale Output Voltage Error		± 30			± 30		mV
Bipolar Zero Drift		± 4			± 4		ppm of FSR/ $^{\circ}$ C
Differential Linearity Error		± 0.001			± 0.001		% of FSR
Monotonicity		15			15		Bits
TOTAL HARMONIC DISTORTION							
$F_{OUT} = 1037$ Hz ¹							
0 dB		-88	-81		-88	-81	dB
-20 dB		-75	-65		-75	-65	dB
-60 dB		-37	-27		-37	-27	dB
$F_{OUT} = 49.07$ kHz ²							
0 dB		-77	-72		-77	-72	dB
-20 dB		-69	-66		-69	-66	dB
-60 dB		-25	-21		-25	-21	dB
SIGNAL-TO-NOISE RATIO ³							
20 Hz to 20 kHz ($F_{OUT} = 1037$ Hz) ¹	94	102		94	102		dB
20 kHz to 250 kHz ($F_{OUT} = 49.07$ kHz) ²	79	83		79	83		dB
SETTLING TIME (to $\pm 0.0015\%$ of FSR)							
Voltage Output ¹							
6 V Step		1.5			1.5		μ s
1 LSB Step		1.0			1.0		μ s
Slew Rate		9			9		V/ μ s
Current Output							
1 mA Step 10 Ω to 100 Ω Load		350			350		ns
1 k Ω Load		350			350		ns
OUTPUT							
Voltage Output Configuration ¹							
Bipolar Range	± 2.88	± 3.0	± 3.12	± 2.88	± 3.0	± 3.12	V
Output Current		± 8.0			± 8.0		mA
Output Impedance		0.1			0.1		Ω
Short Circuit Duration		Indefinite to Common			Indefinite to Common		
Current Output Configuration							
Bipolar Range	± 0.7	± 1.0	± 1.3	± 0.7	± 1.0	± 1.3	mA
Output Impedance ($\pm 30\%$)		1.7			1.7		k Ω
POWER SUPPLY							
Voltage: $+V_L$ and $+V_S$	4.75		13.2	4.75		13.2	V
$-V_L$ and $-V_S$	-13.2		-4.75	-13.2		-4.75	V
Current Case 1 ¹ : V_S and $V_L = +5$ V +I		12.0	15.0		12.0	15.0	mA
$-V_S$ and $-V_L = -5$ V -I		-12.0	-15.0		-12.0	-15.0	mA
Case 2: V_S and $V_L = +12$ V +I		10.5			10.5		mA
$-V_S$ and $-V_L = -12$ V -I		-14			-14		mA
Case 3 ⁴ : V_S and $V_L = +5$ V +I		12			12		mA
$-V_S$ and $-V_L = -12$ V -I		-14			-14		mA
Power Dissipation: V_S and $V_L = \pm 5$ V ¹		120	150		120	150	mW
V_S and $V_L = \pm 12$ V		300			300		mW
V_S and $V_L = +5$ V, $-V_S$ and $-V_L = -12$ V ⁴		225			225		mW

AD766

Parameter	AD766J			AD766A			Units
	Min	Typ	Max	Min	Typ	Max	
TEMPERATURE RANGE							
Specified	0		+70	-40		+85	°C
Storage	-60		+100	-60		+100	°C

NOTES

¹For A grade only, voltage outputs are guaranteed only if $+V_S \geq 7\text{ V}$ and $-V_S \leq -7\text{ V}$.

²Specified using external op amp, see Figure 3 for more details.

³Tested at full-scale input.

⁴For A grade only, power supplies must be symmetric, i.e., $V_S = |-V_S|$ and $+V_L = |-V_L|$. Each supply must independently meet this equality within $\pm 5\%$.

All min and max specifications are guaranteed. Specifications in boldface are tested on all production units at final electrical test. Results from those tests are used to calculate outgoing quality levels.

Specifications subject to change without notice.

ABSOLUTE MAXIMUM RATINGS*

- V_L to DGND 0 to 13.2 V
- V_S to AGND 0 to 13.2 V
- $-V_L$ to DGND -13.2 V to 0 V
- $-V_S$ to AGND -13.2 V to 0 V
- Digital Inputs to DGND -0.3 V to V_L
- AGND to DGND $\pm 0.3\text{ V}$
- Short Circuit Protection Indefinite Short to Ground
- Soldering +300°C, 10 sec

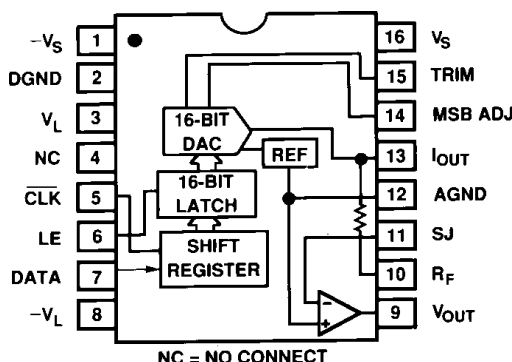
*Stresses greater than those listed under "Absolute Maximum Ratings" may cause permanent damage to the device. This is a stress rating only and functional operation of the device at these or any other conditions above those indicated in the operational section of this specification is not implied. Exposure to absolute maximum rating conditions for extended periods may affect device reliability.

ORDERING GUIDE

Model	Temperature Range	Package Option*
AD766JN	0°C to +70°C	N-16
AD766AN	-40°C to +85°C	N-16
AD766SD/883B	-55°C to +125°C	D-16

*N = Plastic DIP; D = Ceramic DIP.

CONNECTION DIAGRAM



PIN DESIGNATIONS

Pin	Function	Description
1	$-V_S$	Analog Negative Power Supply
2	DGND	Digital Ground
3	V_L	Logic Positive Power Supply
4	NC	No Connection
5	$\overline{\text{CLK}}$	Clock Input
6	LE	Latch Enable Input
7	DATA	Serial Data Input
8	$-V_L$	Logic Negative Power Supply
9	V_{OUT}	Voltage Output
10	R_F	Feedback Resistor
11	SJ	Summing Junction
12	AGND	Analog Ground
13	I_{OUT}	Current Output
14	MSB ADJ	MSB Adjustment Terminal
15	TRIM	MSB Trimming Potentiometer Terminal
16	V_S	Analog Positive Power Supply

ESD SENSITIVITY

The AD766 features input protection circuitry consisting of large "distributed" diodes and polysilicon series resistors to dissipate both high energy discharges (Human Body Model) and fast, low energy pulses (Charged Device Model). Per Method 3015.2 of MIL-STD-883C, the AD766 has been classified as a Category 1 Device.

Proper ESD precautions are strongly recommended to avoid functional damage or performance degradation. Charges as high as 4000 volts readily accumulate on the human body and test equipment, and discharge without detection. Unused devices must be stored in conductive foam or shunts, and the foam discharged to the destination socket before devices are removed. For further information on ESD precaution, refer to Analog Devices' *ESD Prevention Manual*.



AD766—Definition of Specifications

TOTAL HARMONIC DISTORTION

Total Harmonic Distortion (THD) is defined as the ratio of the square root of the sum of the squares of the values of the harmonics to the value of the fundamental input frequency. It is expressed in percent (%) or decibels (dB).

THD is a measure of the magnitude and distribution of integral linearity error and differential linearity error. The distribution of these errors may be different, depending on the amplitude of the output signal. Therefore, to be most useful, THD should be specified for both large and small signal amplitudes.

SETTLING TIME

Settling Time is the time required for the output to reach and remain within a specified error band about its final value, measured from the digital input transition. It is the primary measure of dynamic performance.

BIPOLAR ZERO ERROR

Bipolar Zero Error or midscale error is the deviation of the actual analog output from the ideal output (0 V) when the 2s complement input code representing half scale (all 0s) is loaded in the input register.

DIFFERENTIAL LINEARITY ERROR

Differential Linearity Error is the measure of the variation in analog value, normalized to full scale, associated with a 1 LSB change in the digital input. Monotonic behavior requires that the differential linearity error not exceed 1 LSB in the negative direction.

MONOTONICITY

A D/A converter is monotonic if the output either increases or remains constant as the digital input increases.

SIGNAL-TO-NOISE RATIO

SNR is defined as the ratio of the fundamental to the square root of the sum of the squares for the values of all the nonfundamental, nonharmonic signals for a specified bandwidth. SNR is tested at full-scale input. The AD766 specifies SNR for 20 kHz and 250 kHz bandwidths.

FUNCTIONAL DESCRIPTION

Serial input data is clocked into the AD766's shift register by the falling edge of CLK. Data is presumed to be in twos complement format with MSB (i.e., the sign bit) clocked in first. The shift register converts the most recently clocked-in 16 bits to a parallel word. The falling edge of the latch enable (LE) signal causes the most recent parallel word to be transferred to the internal DAC input latch. See Figure 2 for detailed serial port timing requirements.

The contents of the DAC input latch cause the 16-bit DAC to generate a corresponding current. This ± 1 mA current is available directly on the I_{OUT} pin.

To use the internal op amp, connect I_{OUT} (Pin 13) directly to the summing junction pin, SJ (Pin 11) and connect the feedback resistor pin, R_F (Pin 10) to V_{OUT} (Pin 9). Note that the internal op amp is in the inverting configuration. Using the internal 3 k Ω feedback resistor, this op amp will produce ± 3 V outputs.

One advantage of external pins at each end of the feedback resistor is that it allows the user to implement a single pole active low-pass filter simply by adding a capacitor across these pins (Pins 10 and 13). The circuit can best be understood redrawn as shown in Figure 1.

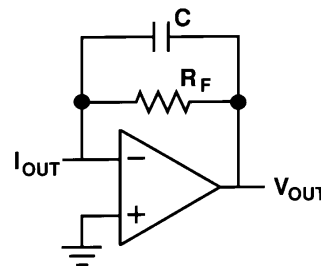


Figure 1. Low-Pass Filter Using External Capacitor

The frequency response from this filter will be

$$\frac{V_{OUT}(s)}{I_{OUT}} = \frac{-R_F}{R_F \cdot C \cdot s + 1}$$

where R_F is 3 k Ω ($\pm 20\%$).

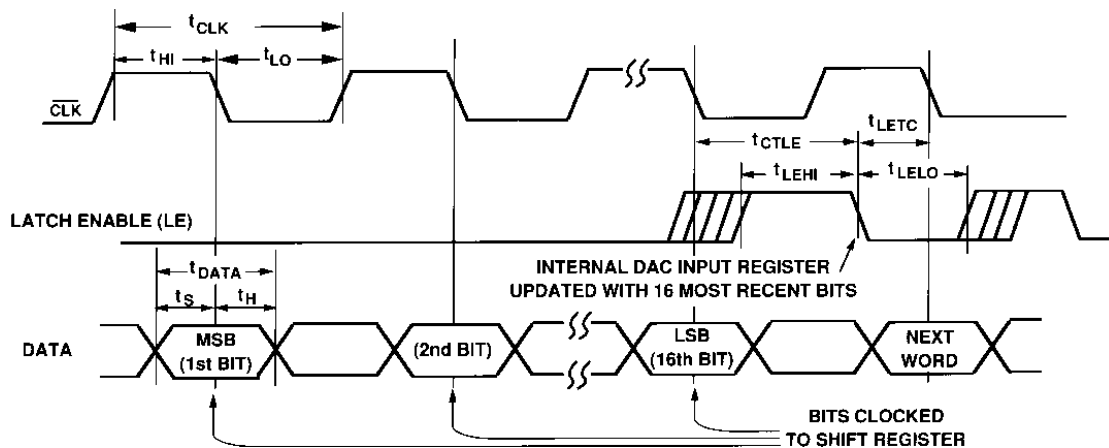


Figure 2. AD766 Serial Input Timing

Analog Circuit Considerations—AD766

For applications requiring broader bandwidths and/or even lower noise than that afforded by the AD766's internal op amp, an external op amp can easily be used in its place. I_{OUT} (Pin 13) drives the negative (inverting) input terminal of the external op amp, and its external voltage output is connected to the feedback resistor pin, R_F (Pin 10). To insure that the AD766's unused internal op amp remains in a closed-loop configuration, V_{OUT} (Pin 9) should be tied to the summing junction pin, SJ (Pin 11).

As an example, Figure 3 shows the AD766 using the AD744 op amp as an external current-to-voltage converter. In this inverting configuration, the AD744 will provide the same ± 3 V output as the internal op amp would have. Other recommended amplifiers include the AD845 and AD846. Note that a single pole of low-pass filtering could also be attained with this circuit simply by adding a capacitor in parallel with the feedback resistor as just shown in Figure 1.

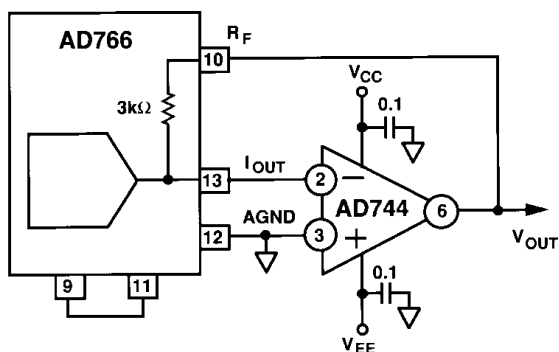


Figure 3. External Op Amp Connections

Residual DAC differential linearity error around midscale can be externally trimmed out, improving THD beyond the AD766's guaranteed tested specifications. This error is most significant with low-amplitude signals because the ratio of the midscale linearity error to the signal amplitude is greatest in this case, thereby increasing THD. The MSB adjust circuitry shown in Figure 4 can be used for improving THD with low-level signals. Otherwise, the AD766 will operate to its specifications with MSB ADJ (Pin 14) and TRIM (Pin 15) unconnected.

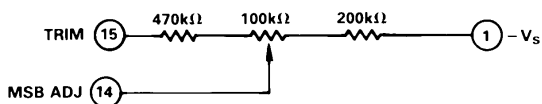


Figure 4. Optional MSB Adjustment Circuit

ANALOG CIRCUIT CONSIDERATIONS GROUNDING RECOMMENDATIONS

The AD766 has two ground pins, designated AGND (analog ground) and DGND (digital ground). The analog ground pin is the "high-quality" ground reference point for the device. The analog ground pin should be connected to the analog common point in the system. The output load should also be connected to that same point.

The digital ground pin returns ground current from the digital logic portions of the AD766 circuitry. This pin should be connected to the digital common point in the system.

As illustrated in Figure 5, the analog and digital grounds should be connected together at one point in the system.

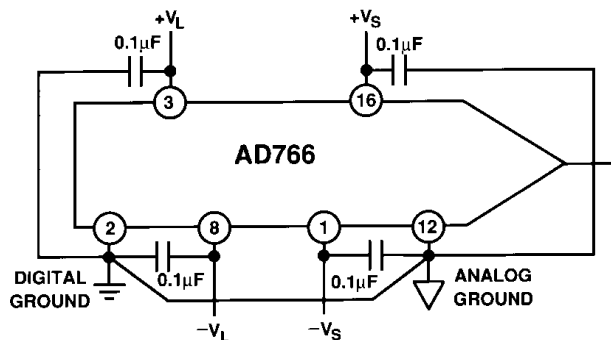


Figure 5. Recommended Circuit Schematic

POWER SUPPLIES AND DECOUPLING

The AD766 has four power supply input pins. $\pm V_S$ provide the supply voltages to operate the linear portions of the DAC including the voltage reference, output amplifier and control amplifier. The $\pm V_S$ supplies are designed to operate from ± 5 V to ± 12 V.

The $\pm V_L$ supplies operate the digital portions of the chip, including the input shift register and the input latching circuitry. The $\pm V_L$ supplies are also designed to operate from ± 5 V to ± 12 V. To assure freedom from latch-up, $-V_L$ should never go more negative than $-V_S$.

Special restrictions on power supplies apply to extended temperature range versions of the AD766 that do not apply to the commercial AD766J. First, supplies must be symmetric. That is, $+V_S = |-V_S|$ and $+V_L = |-V_L|$. Each supply must independently meet this equality within $\pm 5\%$. Since we require that $-V_S \leq -V_L$ to guarantee latch-up immunity, this symmetry principle implies that the positive analog supply must be greater than or equal to the positive digital supply, i.e., $V_S \geq -V_L$ for extended-temperature range parts. In other words, the digital supply range must be inside the analog supply range. Second, the internal op amp's performance in generating voltage outputs is only guaranteed if $+V_S \geq 7$ V (and $-V_S \leq -7$ V, by the symmetry principle). These constraints do not apply to the AD766J.

Decoupling capacitors should be used on all power supply pins. Furthermore, good engineering practice suggests that these capacitors be placed as close as possible to the package pins as well as the common points. The logic supplies, $\pm V_L$, should be decoupled to digital common; and the analog supplies, $\pm V_S$, should be decoupled to analog common.

The use of four separate power supplies will reduce feedthrough from the digital portion of the system to the linear portions of the system, thus contributing to the performance as tested. However, four separate voltage supplies are not necessary for good circuit performance. For example, Figure 6 illustrates a

AD766

system where only a single positive and a single negative supply are available. In this case, the positive logic and positive analog supplies may both be connected to the single positive supply. The negative logic and negative analog supplies may both be connected to the single negative supply. Performance would benefit from a measure of isolation between the supplies introduced by using simple low-pass filters in the individual power supply leads.

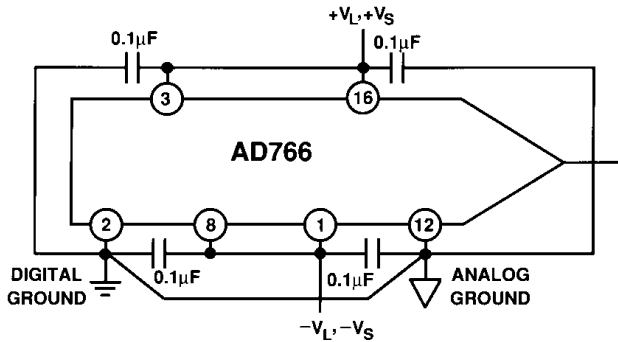


Figure 6. Alternate Recommended Schematic

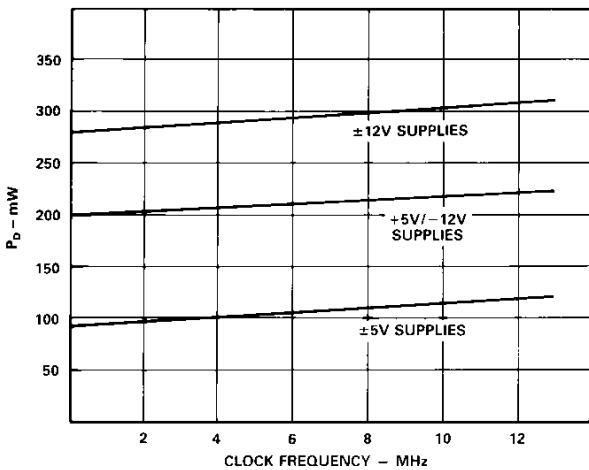


Figure 7. Power Dissipation vs. Clock Frequency

As with most linear circuits, changes in the power supplies will affect the output of the DAC. Analog Devices recommends that well regulated power supplies with less than 1% ripple be incorporated into the design of any system using these device.

MEASUREMENT OF TOTAL HARMONIC DISTORTION

The THD specification of a DSP DAC represents the amount of undesirable signal produced during reconstruction of a digital waveform. To account for the variety of operating conditions

in signal processing applications, the DAC is tested at two output frequencies and at three signal levels over the full operating temperature ranges.

A block diagram of the test setup is shown in Figure 8. In this test setup, a digital data stream, representing a 0 dB, -20 dB or -60 dB sine wave is sent to the device under test. The frequencies used are 1037 Hz and 49.07 kHz. Input data is latched into the AD766 at 500 kSPS. The AD766 under test produces an analog output signal using the on-board op amp for 1 kHz and an external op amp for 50 kHz.

The automatic test equipment digitizes the output test waveform, and then an FFT to 250 kHz is performed on the results of the test. Based on the first 9 harmonics of the fundamental 1037 Hz and the first 3 harmonics of the 49.07 kHz output waves, the total harmonic distortion of the device is calculated. Neither a deglitcher nor an MSB trim is used during the THD test.

The circuit design, layout and manufacturing techniques employed in the production of the AD766 result in excellent THD performance. Figure 9 shows the typical unadjusted THD performance of the AD766 for various amplitudes of 1 kHz and 50 kHz sine waves. As can be seen, the AD766 offers excellent performance even at amplitudes as low as 60 dB. Figure 10 illustrates the typical THD versus frequency performance from the internal amplifier for a filtered AD766 output. At frequencies greater than approximately 30 kHz, depending on the low-pass filter used, an improvement in THD of 3-4 dB over the performance shown in the figure can be achieved. Figure 11 illustrates the consistent THD performance of the AD766 over temperature.

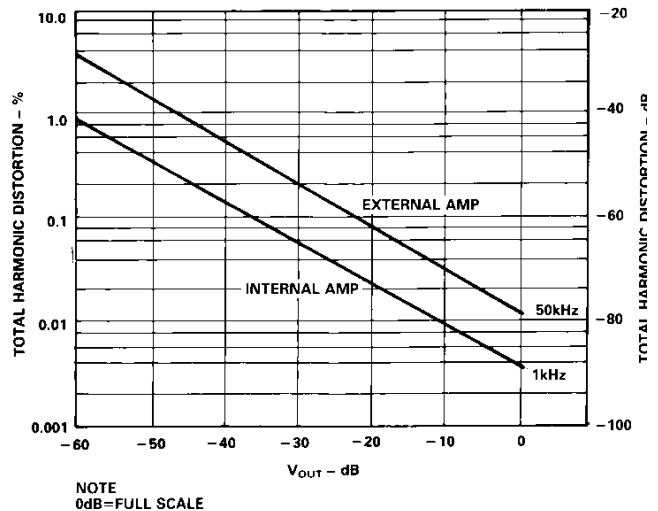


Figure 9. Typical Unadjusted THD

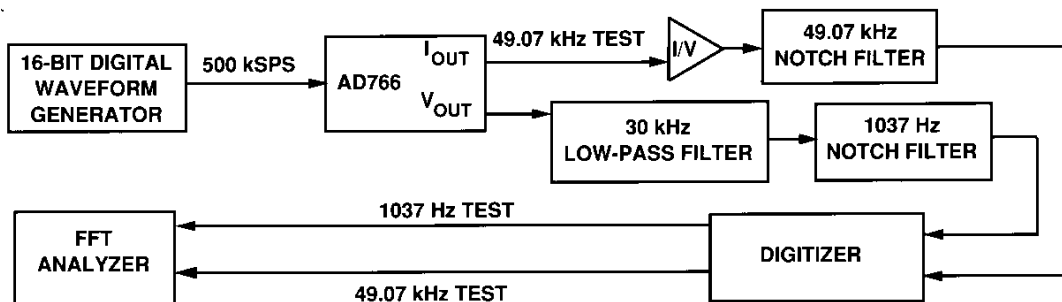


Figure 8. Distortion Test Circuit

Applications—AD766

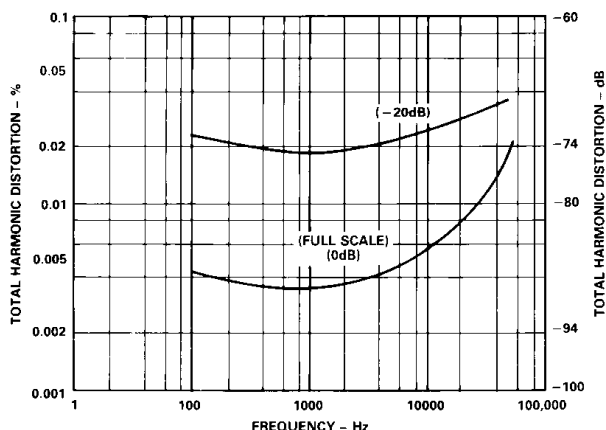


Figure 10. Typical THD vs. Frequency

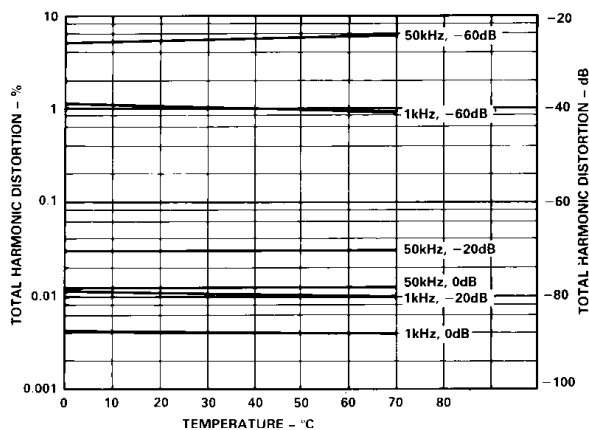


Figure 11. THD vs. Temperature

INTERFACING THE AD766 TO DIGITAL SIGNAL PROCESSORS

The AD766 is specifically designed to easily interface to several popular digital signal processors (DSP) without any additional logic. Such an interface reduces the possibility of interface problems and improves system reliability by minimizing component count.

AD766 TO ADSP-2101

The ADSP-2101 incorporates two complete serial ports which can be directly interfaced to the AD766 as shown in Figure 12. The SCLK, TFS and DT outputs of the ADSP-2101 are connected directly to the CLK, LE and DATA inputs of the AD766, respectively. SCLK is internally generated and can be programmed to operate from 94 Hz to 6.25 MHz. Data (DT) is valid on the falling edge of SCLK. After 16 bits have been transmitted, the falling edge of TFS updates the AD766's data latch. Using both serial ports of the ADSP-2101, two AD766's can be directly interfaced with no additional hardware.

AD766 TO TMS320C25

Figure 13 shows the zero-chip interface to the TMS320C25. The interface to other TMS320C2X processors is similar. Note that the C25 should be run in continuous mode. The C25's frame synch signal (FSX) will be asserted at the beginning of each 16-bit word but will actually latch in the previous word.

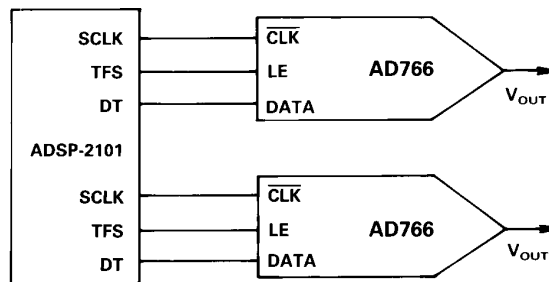


Figure 12. AD766 to ADSP-2101/ADSP-2102/ADSP-2105/ADSP-2111

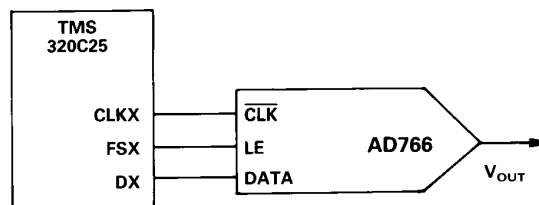


Figure 13. AD766 to TMS320C25

The CLKX, FSX and DX outputs of the TMS320C25 are connected to the CLK, LE and DATA inputs of the AD766, respectively. Data (DX) is valid on the falling edge of CLKX. The maximum serial clock rate of the TMS320C25 is 5 MHz.

AD766 TO DSP56000/56001

Figure 14 shows the zero-chip interface to the DSP56000/56001. The SSI of the 56000/56001 allows serial clock rates up to $f_{osc}/4$. SCK, SC2 and STD can be directly connected to the CLK, LE and DATA inputs of the AD766. The CRA control register of the 56000 allows SCK to be internally generated and software configurable to various divisions of the master clock frequency. The data (STD) is valid on the falling edge of SCK.

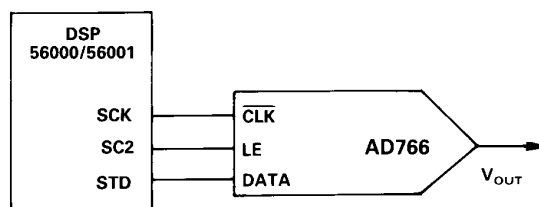


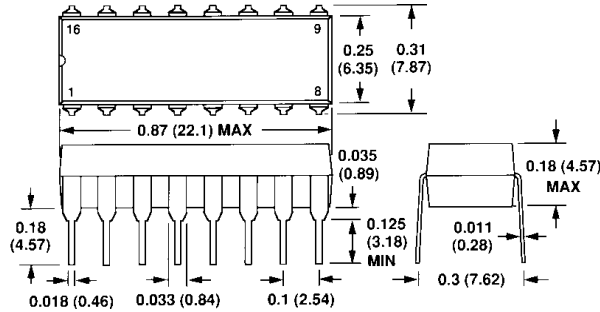
Figure 14. AD766 to DSP56000/DSP56001

AD766

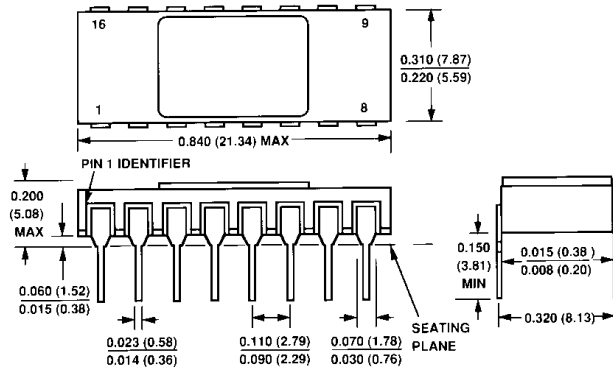
OUTLINE DIMENSIONS

Dimensions shown in inches and (mm).

16-Pin Plastic DIP (N-16)



D-16 16-Lead Side Brazed Ceramic DIP



C1385a-16-3/91

PRINTED IN U.S.A.