

Excellent Integrated System Limited

Stocking Distributor

Click to view price, real time Inventory, Delivery & Lifecycle Information:

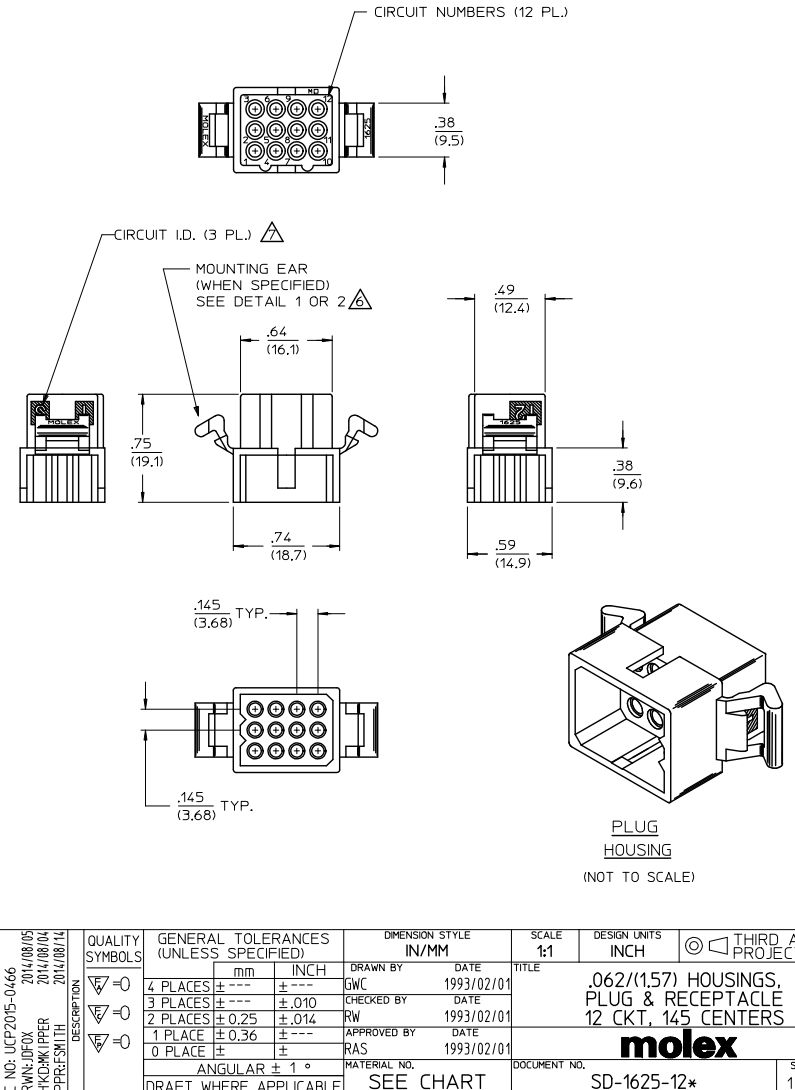
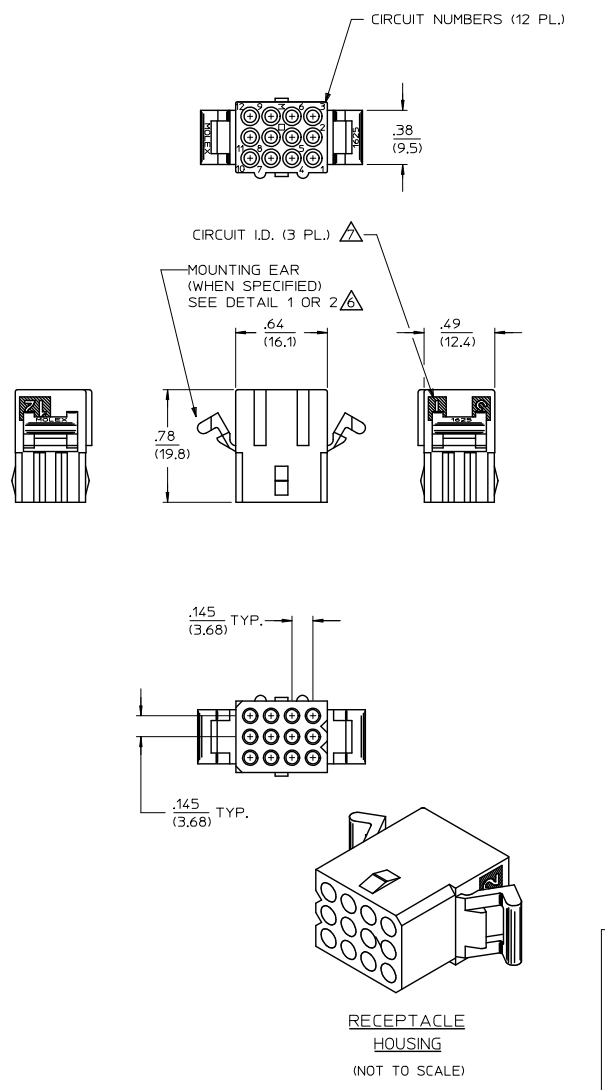
[Molex Connector Corporation](#)

[0003062122](#)

For any questions, you can email us directly:

sales@integrated-circuit.com

13 12 11 10 9 8 7 6 5 4 3 2 1



PK SPEC EC NO: UCP2015-0466 2014/08/05 DRAWN: JDOX 2014/08/04 CHKD: KIPER 2014/08/14 APPROV: SMITH	DESCRIPTION	QUALITY SYMBOLS	GENERAL TOLERANCES (UNLESS SPECIFIED)		DIMENSION STYLE		SCALE	DESIGN UNITS	THIRD ANGLE PROJECTION		
		≡=0	mm	INCH	IN/MM		1:1	INCH	☐		
		≡=0	4 PLACES ± ---	± ---	DRAWN BY	DATE	TITLE				
		≡=0	3 PLACES ± ---	± .010	GWC	1993/02/01	.062/(1,57) HOUSINGS, PLUG & RECEPTACLE 12 CKT, 145 CENTERS				
		2 PLACES ± 0.25	± .014	CHECKED BY	DATE	molex					
		1 PLACE ± 0.36	± ---	RW	1993/02/01						
		0 PLACE ±	±	APPROVED BY	DATE	MATERIAL NO.		DOCUMENT NO.	SHEET NO.		
				RAS	1993/02/01	SEE CHART		SD-1625-12*	1 OF 2		
				DRAFT WHERE APPLICABLE MUST REMAIN WITHIN DIMENSIONS						THIS DRAWING CONTAINS INFORMATION THAT IS PROPRIETARY TO MOLEX INCORPORATED AND SHOULD NOT BE USED WITHOUT WRITTEN PERMISSION	

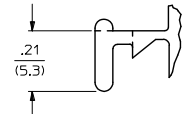
12 11 10 9 8 7 6 5 4 3 2 1

PLUG	
PART NO.	ENG. NO.
03-06-2121	1625-12P
03-06-7121	1625-12PBK
03-06-2122	1625-12P1
03-06-7122	1625-12P1BK

RECEPTACLE	
PART NO.	ENG. NO.
03-06-1121	1625-12R
03-06-6121	1625-12RBK
03-06-1122	1625-12R1
03-06-6122	1625-12R1BK OBSOLETE

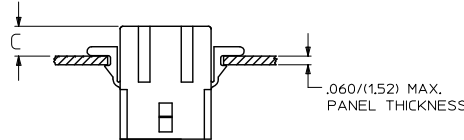
RECEPTACLE LEGEND

1625-12R***
 CIRCUIT SIZE
 R = RECEPTACLE
 BLANK = WITH PREBENT MOUNTING EARS
 1 = WITHOUT EARS
 COLOR:
 BLANK = NATURAL COLOR
 AM = AMBER BK = BLACK BU = BLUE
 BN = BROWN GY = GRAY GN = GREEN
 OR = ORANGERD = RED YW = YELLOW



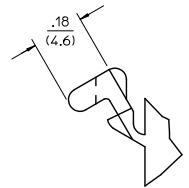
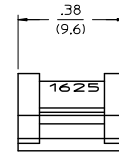
PLUG LEGEND

1625-12P***
 CIRCUIT SIZE
 P = PLUG
 BLANK = WITH PREBENT MOUNTING EARS
 1 = WITHOUT EARS
 COLOR:
 BLANK = NATURAL COLOR
 AM = AMBER BK = BLACK BU = BLUE
 BN = BROWN GY = GRAY GN = GREEN
 OR = ORANGE RD = RED YW = YELLOW



RECOMMENDED HOLE PATTERN

RECEP.	.795 (20.19)	.563 (14.30)		.23 (5.8)
PLUG	.903 (22.94)	.614 (15.60)	.21 (5.3)	.22 (5.5)
PART	DIM. A	DIM. B	DIM. C (STANDARD EAR)	DIM. C (PREBENT EAR)



- NOTES:
- MATERIAL: NYLON TYPE 6/6, 94V-2.
 - FINISH: NONE
 - PRODUCT SPECIFICATION: PS-02-06
 - PACKAGING INFORMATION: PK-1625-003
 - THIS HOUSING FOR USE WITH .062/(1.57) DIA. TERMINALS.
- WHERE DENOTED IN CHART, TOOLS ARE BUILT WITH PREBENT MOUNTING EARS PER DETAIL 2 AND SUPERSEDE ALL TOOLS PREVIOUSLY BUILT WITH THE STANDARD MOUNTING EARS.
- CIRCUIT ID. NUMBERS APPEAR ON PARTS FROM TOOLS BUILT AFTER 2/1/93.

SEE SHEET 1 EC NO: UCP2015-0466 DRAWN: JFOUX 2014/08/05 CHECKED: KIPER 2014/08/04 APPROVED: SMITH 2014/08/14	QUALITY SYMBOLS 	GENERAL TOLERANCES (UNLESS SPECIFIED) <table border="1"> <tr> <th></th> <th>mm</th> <th>INCH</th> </tr> <tr> <td>4 PLACES</td> <td>± .005</td> <td>± .0004</td> </tr> <tr> <td>3 PLACES</td> <td>± .004</td> <td>± .0003</td> </tr> <tr> <td>2 PLACES</td> <td>± 0.25</td> <td>± .010</td> </tr> <tr> <td>1 PLACE</td> <td>± 0.36</td> <td>± .014</td> </tr> <tr> <td>0 PLACE</td> <td>±</td> <td>±</td> </tr> </table>		mm	INCH	4 PLACES	± .005	± .0004	3 PLACES	± .004	± .0003	2 PLACES	± 0.25	± .010	1 PLACE	± 0.36	± .014	0 PLACE	±	±	DIMENSION STYLE IN/MM	SCALE 1:1	DESIGN UNITS INCH	THIRD ANGLE PROJECTION
				mm	INCH																			
4 PLACES	± .005	± .0004																						
3 PLACES	± .004	± .0003																						
2 PLACES	± 0.25	± .010																						
1 PLACE	± 0.36	± .014																						
0 PLACE	±	±																						
DRAWN BY GWC DATE 1993/02/01	CHECKED BY RW DATE 1993/02/01	APPROVED BY RAS DATE 1993/02/01	MATERIAL NO. SEE CHART	DOCUMENT NO. SD-1625-12*	TITLE .062/(1.57) HOUSINGS, PLUG & RECEPTACLE 12 CKT, 145 CENTERS																			

ANGULAR ± 1°
 DRAFT WHERE APPLICABLE MUST REMAIN WITHIN DIMENSIONS

THIS DRAWING CONTAINS INFORMATION THAT IS PROPRIETARY TO MOLEX INCORPORATED AND SHOULD NOT BE USED WITHOUT WRITTEN PERMISSION