

Excellent Integrated System Limited

Stocking Distributor

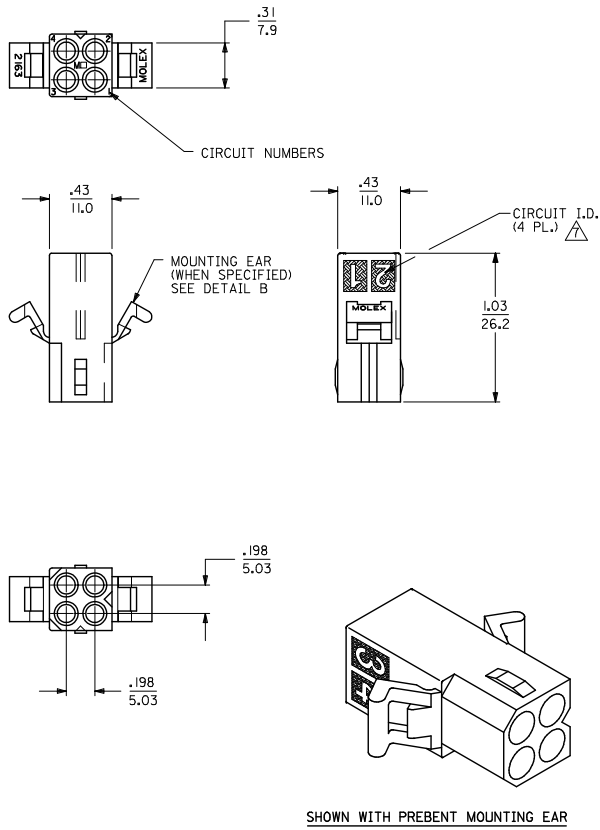
Click to view price, real time Inventory, Delivery & Lifecycle Information:

[Molex Connector Corporation](#)
[0003092049](#)

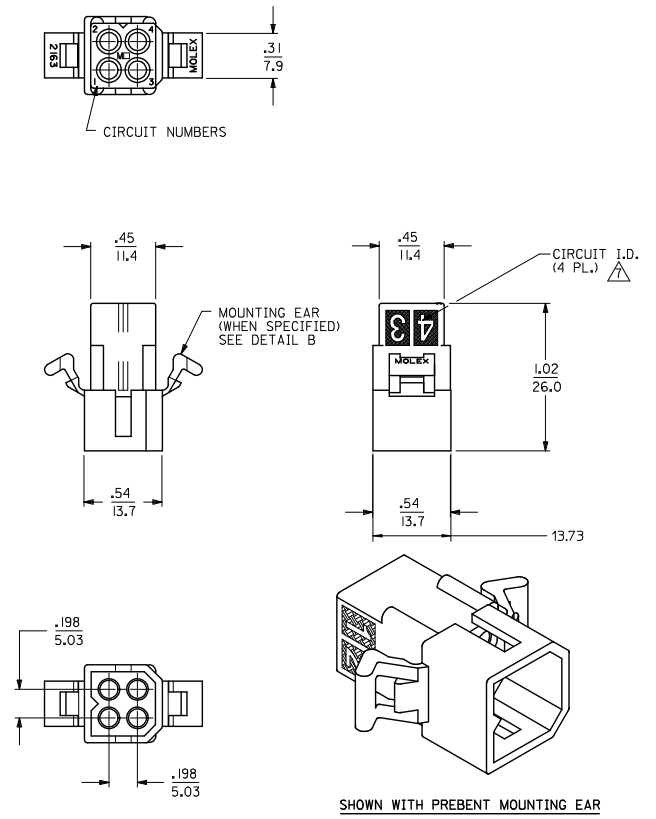
For any questions, you can email us directly:

sales@integrated-circuit.com

RECEPTACLE



PLUG



REMOVE OBSOLETE EC NO: UCP2016-2163 DRAWN BY: 2015/12/10 CHKD: J.BELL APPR: S.MITH 2015/12/23	QUALITY SYMBOLS ▽=0 ▽=0 ▽=0	GENERAL TOLERANCES (UNLESS SPECIFIED)		DIMENSION STYLE IN/MM		SCALE 2:1	DESIGN UNITS INCH	THIRD ANGLE PROJECTION	
		4 PLACES ± .010	3 PLACES ± .010	2 PLACES ± 0.25	1 PLACE ± 0.35	0 PLACE ± .010	DRAWN BY: KBW DATE: 02/03/89 CHECKED BY: RW DATE: 02/03/89 APPROVED BY: F.SMITH DATE: 2014/06/23		
J2	DESCRIPTION	ANGULAR ± .000		MATERIAL NO.		DOCUMENT NO.		SHEET NO.	
	REV	DRAFT WHERE APPLICABLE MUST REMAIN WITHIN DIMENSIONS		SEE CHART		.093/(2.36) HOUSINGS PLUG & RECEPTACLE 4 CKT., .198/(5.03) CL		1 OF 2	
		THIS DRAWING CONTAINS INFORMATION THAT IS PROPRIETARY TO MOLEX INCORPORATED AND SHOULD NOT BE USED WITHOUT WRITTEN PERMISSION							

PLUG	
ORDER NO	ENG NO
03-09-2049	2163-P1
46999-0652	2163-P2

RECEPTACLE	
ORDER NO	ENG NO
03-09-1049	2163-R1
03-09-6049	2163-R1BK
46999-0653	2163-R2

LEGEND:

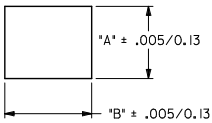
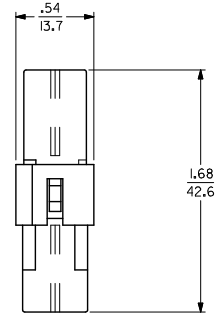
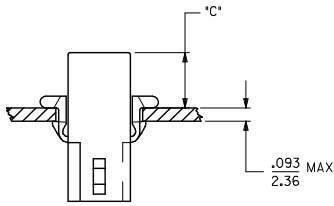
2163-****

P = PLUG
R = RECEPTACLE

BLANK = OBSOLETE
1 = WITHOUT EARS
2 = WITH PREBENT EARS
3 = OBSOLETE
4 = OBSOLETE

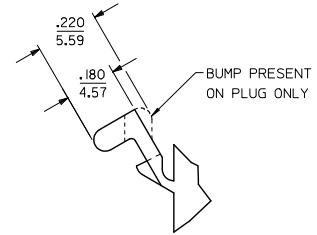
COLOR:

BLANK = NATURAL COLOR
AM = AMBER BK = BLACK BU = BLUE
BN = BROWN GY = GRAY GN = GREEN
OR = ORANGE RD = RED YW = YELLOW
UV = BLACK UV RESISTANT



RECOMMENDED PANEL OPENING

HOUSING	DIM. "A"	DIM. "B"	"C" PREBENT EAR
PLUG	.555/14.10	.695/17.65	.42/10.7
RECEPT.	.500/12.70	.600/15.24	.40/10.2



DETAIL B

.093/(2.36)PREBENT MOUNTING EAR
(SCALE 4:1)

NOTES:

- MATERIAL: NYLON 6/6 (PA), UL 94V-2.
- FINISH: NONE.
- PRODUCT SPECIFICATION: PS-02-09 APPLIES.
- PARTS TO BE PACKAGED PER PK-2163-001
- MATES WITH: SERIES 2163.
- ACCEPTS MOLEX .093 SERIES TERMINALS.
- ⚠️ CIRCUIT I.D. NUMBERS ON HOUSING APPEAR ON PARTS FROM TOOLS BUILT AFTER 7/22/91.
- PARTS CONFORM TO CLASS B REQUIREMENTS OF COSMETIC SPECIFICATION PS-45499-002

SEE SHEET 1 EC NO: UCP2016-2163 DRAWN BY: J2 CHKD: BELL APPR: SMITH	QUALITY SYMBOLS □=0 □=0 □=0	GENERAL TOLERANCES (UNLESS SPECIFIED)		DIMENSION STYLE IN/MM		SCALE 2:1	DESIGN UNITS INCH	THIRD ANGLE PROJECTION	
		4 PLACES ± --- ± ---	mm INCH	DRAWN BY KBW	DATE 02/03/89	TITLE .093/(2.36) HOUSINGS PLUG & RECEPTACLE 4 CKT., .198/(5.03) CL			
		3 PLACES ± --- ± .010	± .010 ± .014	CHECKED BY RW	DATE 02/03/89	molex			
		2 PLACES ± 0.25 ± ---	± --- ± ---	APPROVED BY F SMITH	DATE 2014/06/23	MATERIAL NO. SEE CHART	DOCUMENT NO. SD-2163-*	SHEET NO. 2 OF 2	