

## Excellent Integrated System Limited

Stocking Distributor

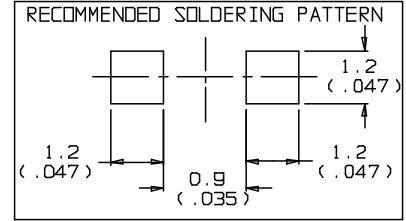
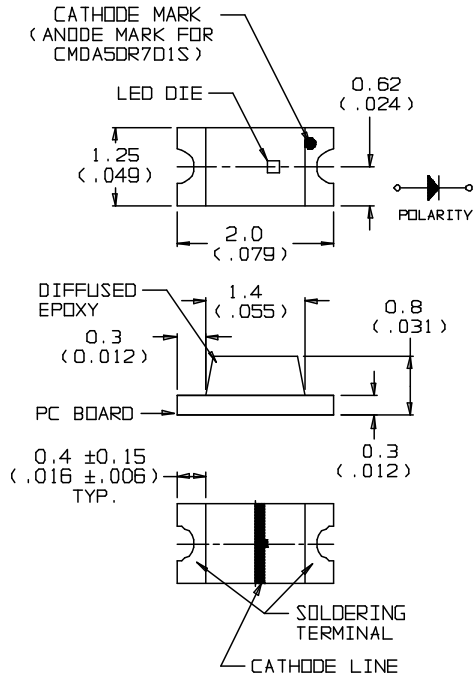
Click to view price, real time Inventory, Delivery & Lifecycle Information:

[Visual Communications Company, LLC](#)  
[CMDA5AG7D1S](#)

For any questions, you can email us directly:

[sales@integrated-circuit.com](mailto:sales@integrated-circuit.com)

REV	ECR NO./DESCRIPTION	DATE
A	20544 RHW NEW RELEASE	06/06/01
B	20694 RHW REVISED PER VENDOR REQUEST.	07/12/01



NOTES:

1. ALL DIMENSIONS ARE IN MILLIMETERS (In).
2. 1 MICRO SECOND @ 10% DUTY CYCLE.

QST.  
V/S

<input type="checkbox"/> FOR INSPECTION USE ONLY <input checked="" type="checkbox"/> SPC DOCUMENTATION REQ. (X R CHARTS)		SHEET 1 OF 3	
PART NO. SEE TABLE		TITLE SURFACE MOUNT LED	
MATERIAL: -		<b>CHICAGO MINIATURE LAMP INC.</b> 147 CENTRAL AVE. HACKENSACK, N.J. 07601	
FINISH: -			
TOLERANCE UNLESS OTHERWISE SPECIFIED:		DRAWN R.H. Wiggins	SCALE: N.T.S.
FRACTION ± 1/64		CHECKED	B17176
INCHES .xxx ± 0.030 (0.76)			
ANGLE ± 1 deg.			
ENG. APPROV		REV B	SHEET 1 OF 3

**DO NOT SCALE**

THIS DRAWING IS THE PROPERTY OF CHICAGO MINIATURE LAMP INC. AND IS PROPRIETARY IN GENERAL AND IN DETAIL. IT SHALL NOT BE COPIED OR ITS CONTENTS REVEALED TO OUTSIDE PARTIES WITHOUT THE WRITTEN CONSENT OF CHICAGO MINIATURE LAMP INC.

REV	ECR NO./DESCRIPTION	DATE
	SEE SHEET ONE	

CMDA5 CB7D1S	CMDA5 AG7D1S	CMDA5 DY7D1S	CMDA5 BA7D1S	CMDA5 AR7D1S	CMDA5 AY7D1S	CMDA5 CY7D1S	CMDA5 AA7D1S	CMDA5 BR7D1S	CMDA5 DR7D1S	ELECTRO-OPTICAL CHARACTERISTICS AND RATINGS	UNITS
BLUE	GREEN	AMBER	ORANGE	RED	GREEN	YELLOW	ORANGE	HER	RED	OUTPUT COLOR	
DIFFUSED	DIFFUSED	DIFFUSED	DIFFUSED	DIFFUSED	DIFFUSED	DIFFUSED	DIFFUSED	DIFFUSED	DIFFUSED	DIFFUSION	
CLEAR	CLEAR	CLEAR	CLEAR	CLEAR	CLEAR	CLEAR	CLEAR	CLEAR	CLEAR	PACKAGE COLOR	
20	20	20	20	20	20	20	20	20	20	TEST CURRENT	mA
3.4	3.4	1.9	1.9	1.9	2.2	2.1	2.2	2.1	1.8	FORWARD VOLTAGE TYP	V
3.9	3.9	2.4	2.4	2.4	2.6	2.6	2.6	2.6	2.6	FORWARD VOLTAGE MAX	V
16	40	25	25	25	4.00	2.50	2.50	2.50	6.30	LUMINOUS INTENSITY MIN	ncd
55	145	90	90	90	15.0	8.0	8.0	10.0	17.0	LUMINOUS INTENSITY TYP	ncd
-	-	-	-	-	-	-	-	-	-	LUMINOUS INTENSITY MAX	ncd
469	520	595	609	637	570	589	605	630	660	PEAK WAVELENGTH	nm
140	140	170	170	170	170	170	170	170	170	VIEWING ANGLE 2θ 1/2	degrees
										ABSOLUTE MAXIMUM RATINGS To = 25°C	UNITS
98	98	75	75	75	52	52	52	52	65	POWER DISSIPATION	mW
-30 TO +85	-30 TO +85	-30 TO +85	-30 TO +85	-30 TO +85	-30 TO +85	-30 TO +85	-30 TO +85	-30 TO +85	-30 TO +85	OPERATING TEMPERATURE	°C
-40 TO +85	-40 TO +85	-40 TO +85	-40 TO +85	-40 TO +85	-40 TO +85	-40 TO +85	-40 TO +85	-40 TO +85	-40 TO +85	STORAGE TEMPERATURE	°C
50	100	100	100	100	100	100	100	100	100	PEAK FORWARD CURRENT MAX.(SEE NOTE 2)	mA
5	5	5	5	5	5	5	5	5	5	REVERSE VOLTAGE (IR = 100 mA)	V
10	10	10	10	10	10	10	10	10	10	LEAD SOLDER TIME AT 230° C	SECONDS

**DO NOT SCALE**

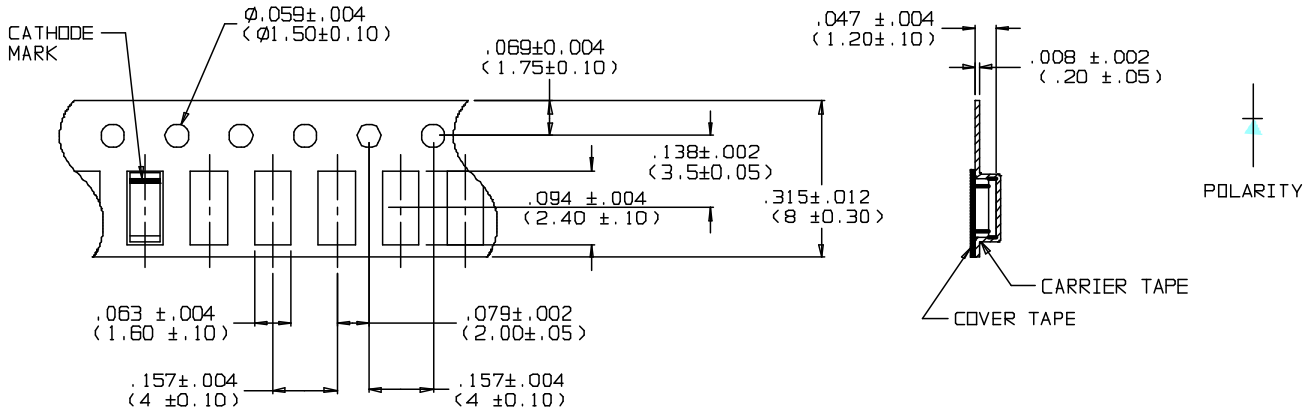
THIS DRAWING IS THE PROPERTY OF CHICAGO MINIATURE LAMP INC. AND IS PROPRIETARY IN GENERAL AND IN DETAIL. IT SHALL NOT BE COPIED OR ITS CONTENTS REVEALED TO OUTSIDE PARTIES WITHOUT THE WRITTEN CONSENT OF CHICAGO MINIATURE LAMP INC.

<input type="checkbox"/> FOR INSPECTION USE ONLY <input checked="" type="checkbox"/> SPC DOCUMENTATION REQ. (X R CHARTS)		SHEET 2 OF 3		DIST. V/S
PART NO. SEE TABLE MODEL NO. - MOLD NO. - MATERIAL: - FINISH: -	TITLE SURFACE MOUNT LED			
TOLERANCE UNLESS OTHERWISE SPECIFIED: FRACTION ± 1/64 INCHES .xx ± 0.030 (0.76) .xxx ± 0.015 (0.38) ANGLE ± 1 deg.		DRAWN R.H. Wiggins CHECKED ENG. APPRV		SCALE: N.T.S. B17176 REV B
CHICAGO MINIATURE LAMP INC. 147 CENTRAL AVE. HACKENSACK, N.J. 07601		SHEET 2 OF 3		

0N 9A0

REV	ECR NO./DESCRIPTION	DATE
	SEE SHEET ONE	

PROGRESSIVE DIRECTION  
→



- NOTES:  
1. ALL DIMENSIONS ARE IN INCHES (mm).  
2. PACKAGING: 4000 PCS/REEL, REEL  $\phi$  180mm

*DO NOT SCALE*

THIS DWG IS THE PROPERTY OF CHICAGO MINIATURE LAMP INC. AND IS PROPRIETARY IN GENERAL AND IN DETAIL. IT SHALL NOT BE COPIED OR ITS CONTENTS REVEALED TO OUTSIDE PARTIES WITHOUT THE WRITTEN CONSENT OF CHICAGO MINIATURE LAMP INC.

<input type="checkbox"/> FOR INSPECTION USE ONLY <input checked="" type="checkbox"/> SPC DOCUMENTATION REQ. (X R CHARTS)		DIST. V/S
PART NO. SEE TABLE		TITLE
MODEL NO. -		SURFACE MOUNT LED
MATERIAL: -		<b>CHICAGO MINIATURE LAMP INC.</b> 147 CENTRAL AVE. HACKENSACK, N.J. 07601
FINISH: -		
TOLERANCE UNLESS OTHERWISE SPECIFIED:		SCALE: NTS
FRACTION $\pm 1/64$		DRAWN R.H. Wiggins CHECKED ENG. APPRV B17176
INCHES .xx $\pm .030$ (0.76)		
ANGLE $\pm 1$ deg.		
		REV B
		SHEET 3 OF 3

'DN 9AD