

Excellent Integrated System Limited

Stocking Distributor

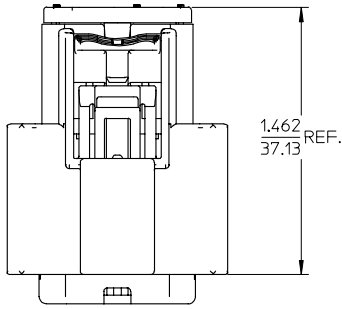
Click to view price, real time Inventory, Delivery & Lifecycle Information:

[Molex Connector Corporation](#)
[19418-0021](#)

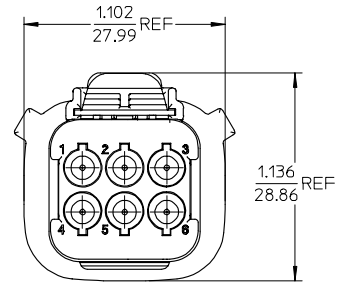
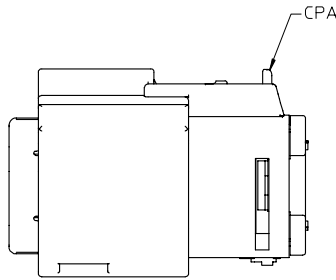
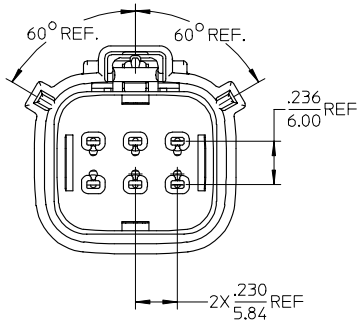
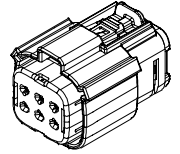
For any questions, you can email us directly:

sales@integrated-circuit.com

10 9 8 7 6 5 4 3 2 1



| | | |
|-----------------|-------------|-----|
| 194180021 | 16-14 | NO |
| 194180020 | 22-18 | |
| 194180010 | 16-14 | YES |
| 194180011 | 22-18 | |
| MATERIAL NUMBER | UL WIRE AWG | CPA |



NOTES:

1. MATERIALS:
HOUSING: POLYESTER (PBT), GLASS FILLED, UL94 V-0,
COLOR: BLACK.
SEALS: SILICONE RUBBER.
2. PRODUCT SPECIFICATION: PS-19417-001.
3. PACKAGING SPECIFICATION: PK-19418-001.
4. MATES WITH: 19419 SERIES PLUG ASSEMBLIES.
5. USE CONNECTOR WITH FEMALE CRIMP TERMINAL
SERIES 19420.

| | | | | | | | | |
|--|-------------------------------|---------------------------------------|---|-----------------|--------------|--------------|---|--|
| REVISED EC NO: ETC2006-0122 DRAWN: JPWLCK 2005/12/06 CHECK: JPWLCK 2005/12/06 APPROVED: RDEROSS 2005/12/07 B1 | QUALITY SYMBOLS ▽=0 ▽=0 | GENERAL TOLERANCES (UNLESS SPECIFIED) | | DIMENSION STYLE | SCALE | DESIGN UNITS | THIRD ANGLE PROJECTION | |
| | | | | IN/MM | 1:1 | INCH | | |
| | | 4 PLACES | ± .--- | ± .--- | DRAWN BY | DATE | TITLE | |
| | | 3 PLACES | ± .--- | ± .015 | BRUPERT | 01/20/03 | 6 WAY RECEPTACLE ASSEMBLY, KEY A POLARIZATION | |
| | | | 2 PLACES | ± 0.38 | ± .--- | CHECKED BY | DATE | |
| | | | 1 PLACE | ± .--- | ± .--- | JPWLCK1 | 01/23/03 | |
| | | | ANGULAR ± 1 ° | | APPROVED BY | DATE | | |
| | | | DRAFT WHERE APPLICABLE MUST REMAIN WITHIN DIMENSIONS | | RDEROSS | 01/25/03 | | |
| | | | MATERIAL NO. | | DOCUMENT NO. | | SHEET NO. | |
| | | | SEE CHART | | SD-19418-004 | | 1 OF 1 | |
| | | | THIS DRAWING CONTAINS INFORMATION THAT IS PROPRIETARY TO MOLEX INCORPORATED AND SHOULD NOT BE USED WITHOUT WRITTEN PERMISSION | | | | | |

9 8 7 6 5 4 3 2 1