

## Excellent Integrated System Limited

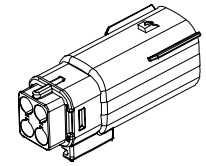
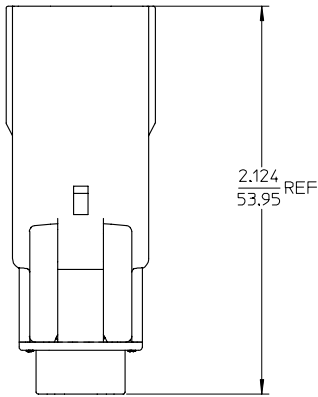
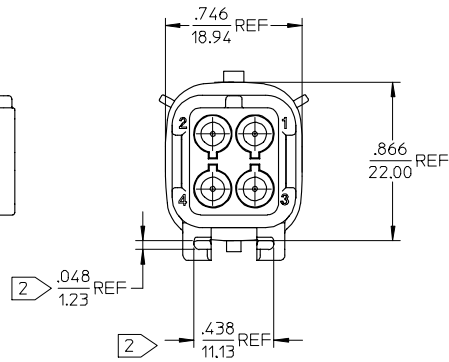
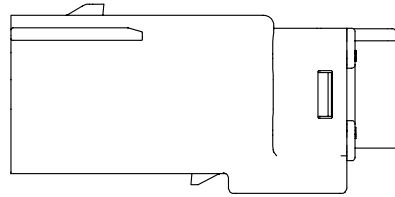
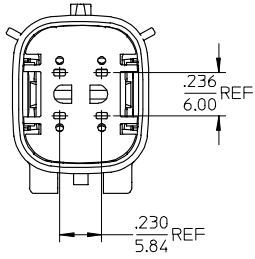
Stocking Distributor

Click to view price, real time Inventory, Delivery & Lifecycle Information:

[Molex Connector Corporation](#)  
[0194190004](#)

For any questions, you can email us directly:

[sales@integrated-circuit.com](mailto:sales@integrated-circuit.com)



ASSEMBLED VIEW  
SCALE 1:1

(B1) 194190030	4	24
194190004	4	16-14
194190005	4	22-18
MATERIAL NUMBER	CIRCUIT SIZE	UL WIRE AWG

NOTES:

- ASSEMBLY BULK PACKAGED PER PK-19419-001.
- MOUNTING SLOT DIMENSIONS.
- USE CONNECTOR WITH MALE CRIMP TERMINAL: SERIES 19417.

ADD MAT'L #194190030 EC. NO. ETC2006-0082 DRAWN BY B.RUPERT CHKD: J.PAWL I C APPR: R.DEROSS	DESCRIPTION 2005/12/06 2005/12/06 2005/12/06	QUALITY SYMBOLS ▽=0 ▽=0	GENERAL TOLERANCES (UNLESS SPECIFIED)		DIMENSION STYLE	SCALE	DESIGN UNITS	THIRD ANGLE PROJECTION
			4 PLACES ± --- ± ---	3 PLACES ± --- ± .005	2 PLACES ± 0.13 ± .01	1 PLACE ± 0.25 ± ---	IN/MM	2:1
DRAFT WHERE APPLICABLE MUST REMAIN WITHIN DIMENSIONS			ANGULAR ±1/2°		SEE CHART	MATERIAL NO. SD-19419-001		
REV B1			MATERIAL NO. SD-19419-001		DOCUMENT NO. SD-19419-001			SHEET NO. 1 OF 1