

## Excellent Integrated System Limited

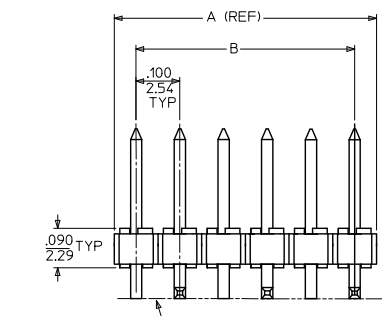
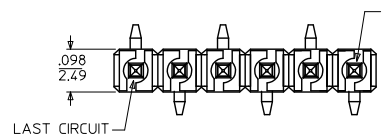
Stocking Distributor

Click to view price, real time Inventory, Delivery & Lifecycle Information:

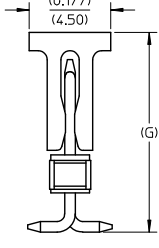
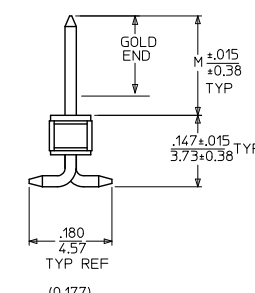
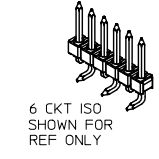
[Molex Connector Corporation](#)  
[68301-1016](#)

For any questions, you can email us directly:  
[sales@integrated-circuit.com](mailto:sales@integrated-circuit.com)

NO. OF CKTS	A	B
2	.200	
3	.300	.200
4	.400	.300
5	.500	.400
6	.600	.500
7	.700	.600
8	.800	.700
9	.900	.800
10	1.000	.900
11	1.100	1.000
12	1.200	1.100
13	1.300	1.200
14	1.400	1.300
15	1.500	1.400
16	1.600	1.500
17	1.700	1.600
18	1.800	1.700
19	1.900	1.800
20	2.000	1.900
21	2.100	2.000
22	2.200	2.100
23	2.300	2.200
24	2.400	2.300

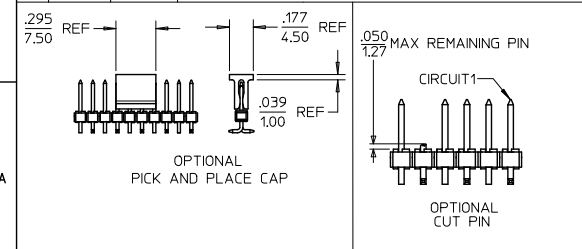
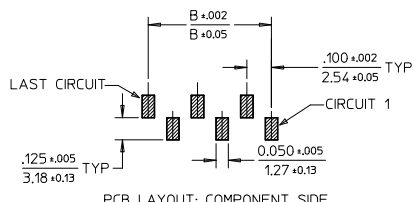


CKTS	COPLANARITY
2-6	.006/(0.15)
7-14	.010/(0.25)
15-24	.012/(0.30)



NOTES:

- MATERIAL: HOUSING: NYLON 46, GLASS FILLED, UL94V-0, COLOR: BLACK  
PIN: .025/0.64 SQ PIN, PHOSPHOR BRONZE
- FINISH:  
A - \*(154) OVERALL TIN: THICKNESS = .000100/0.00254 MIN  
B - (208) SELECTIVE GOLD IN CONTACT AREA: THICKNESS = .000015/0.00038 MIN  
C - (228) SELECTIVE GOLD IN CONTACT AREA: THICKNESS = .000030/0.00076 MIN  
\* SELECTIVE TIN IN PC TAIL AREA: THICKNESS = .000100/0.00254 MIN  
OVERALL NICKEL UNDERPLATE: .000050/0.00127 MIN  
\* THE PRIMARY SHIPPING CARTON WILL BE LABELED, 'COMPLIANT TO RoHS DIRECTIVE 2002/95/EC AND ELV ANNEX II OF DIRECTIVE 2000/53/EC', AND CARTONS WITHOUT THIS LABEL MAY CONTAIN PRODUCT WITH TIN LEAD.
- PRODUCT SPEC: PS-87920-019
- PACKAGING INFORMATION:  
TUBE PACK : PK-89990-514  
TAPE & REEL : PK-68300-001
- PARTS ARE NOT STACKABLE ON .100/2.54 CENTERS.
- TWO CKT PARTS WILL REQUIRE SUPPORT DURING THE SOLDER PROCESS.  
PLEASE CONTACT SALES/ FACTORY FOR TOOLING ACTIVATION OF TAPE & REEL PACKAGING.



ADD T&R P/N 68301-0400  
EC NO. S2009-0634  
DRAWN BY: 2009/04/07  
CHKD BY: 2009/04/06  
APPR: MLONG 2009/04/14

QUALITY SYMBOLS	GENERAL TOLERANCES (UNLESS SPECIFIED)		DIMENSION STYLE		SCALE	DESIGN UNITS	THIRD ANGLE PROJECTION
	mm	INCH	IN/MM	DATE			
▽=0	4 PLACES ±---	±---	SAM/AC	2000/10/28	NTS	INCH	CUSTOM HEADER .100/(2.54) CENTERLINE VERTICAL/SMT SINGLE ROW
▽=0	3 PLACES ±---	±.005	CHECKED BY	DATE			
	2 PLACES ±.13	±.010	SAM/EC	2000/10/28			
	1 PLACE ±0.25	±---	APPROVED BY	DATE			
	ANGULAR ±1/2°		EDGLEY	2000/10/28			Molex MOLEX INCORPORATED
	DRAFT WHERE APPLICABLE MUST REMAIN WITHIN DIMENSIONS		MATERIAL NO. SEE TABLE		DOCUMENT NO. SD-68301-001		SHEET NO. 1 OF 5
	THIS DRAWING CONTAINS INFORMATION THAT IS PROPRIETARY TO MOLEX INCORPORATED AND SHOULD NOT BE USED WITHOUT WRITTEN PERMISSION						



Distributor of Molex Connector Corporation: Excellent Integrated System Limited

Datasheet of 68301-1016 - CONN HEADER 5POS .100" VERT TIN

Contact us: sales@integrated-circuit.com Website: www.integrated-circuit.com

	10	9	8	7	6	5	4	3	2	1
	MATERIAL NO	OPTIONAL SUB ASSY	PLT REF	DIM M	DIM G	CKT SIZE	VOID CKT #	KINKED PIN	PICK & PLACE CAP	CUT PIN CKT NO.
F	68301-1007	42375-0010	154	.240 6.10	.433 10.99	10	NONE	NONE	YES	-
	68301-1109	42375-0115	154	.320 8.13	-	10	NONE	NONE	-	-
	68301-1159	42375-0116	154	.320 8.13	.513 13.02	11	NONE	NONE	YES	-
	68301-1063	-	154	.240 6.10	-	12	NONE	NONE	-	-
	68301-1111	42375-0117	154	.320 8.13	-	12	NONE	NONE	-	-
	68301-1157	NONE	208	.605 15.37	-	12	NONE	NONE	-	-
E	68301-1065	42375-0014	154	.240 6.10	-	14	NONE	NONE	-	-
	68301-1129	42375-0154	208	.320 8.13	-	14	NONE	NONE	-	-
	68301-1113	42375-0121	154	.320 8.13	-	14	NONE	NONE	-	-
	68301-1066	42375-0015	154	.240 6.10	-	15	NONE	NONE	-	-
	68301-1067	42375-0016	154	.240 6.10	-	16	NONE	NONE	-	-
	68301-1115	42375-0121	154	.320 8.13	-	16	NONE	NONE	-	-
D	68301-1069	42375-0018	154	.240 6.10	-	18	NONE	NONE	-	-
	68301-1117	42375-0123	154	.320 8.13	-	18	NONE	NONE	-	-
	68301-1119	42375-0125	154	.320 8.13	-	20	NONE	NONE	-	-
	68301-1071	42375-0020	154	.240 6.10	-	20	NONE	NONE	-	-
	68301-1072	42375-0021	154	.240 6.10	-	21	NONE	NONE	-	-
	68301-1123	42375-0129	154	.320 8.13	-	24	NONE	NONE	-	-

ADD T&R P/N 68301-0400 EC NO: S2009-0634 DRAWN:KANG 2009/04/07 CHK:DATSEE 2009/04/06 APPR:MLONG 2009/04/14 M6	QUALITY SYMBOLS ▽=0 ▽=0	GENERAL TOLERANCES (UNLESS SPECIFIED) <table border="1"> <tr> <th></th> <th>mm</th> <th>INCH</th> </tr> <tr> <td>4 PLACES</td> <td>± .13</td> <td>± .005</td> </tr> <tr> <td>3 PLACES</td> <td>± .13</td> <td>± .010</td> </tr> <tr> <td>2 PLACES</td> <td>± 0.25</td> <td>± .010</td> </tr> <tr> <td>1 PLACE</td> <td>± 0.25</td> <td>± .010</td> </tr> <tr> <td colspan="3">ANGULAR ± 1/2°</td> </tr> </table>		mm	INCH	4 PLACES	± .13	± .005	3 PLACES	± .13	± .010	2 PLACES	± 0.25	± .010	1 PLACE	± 0.25	± .010	ANGULAR ± 1/2°			DIMENSION STYLE IN/MM DRAWN BY DATE SAMIAC 2000/10/28 CHECKED BY DATE SAMIEC 2000/10/28 APPROVED BY DATE EDGLEY 2000/10/28	SCALE NTS DESIGN UNITS INCH THIRD ANGLE PROJECTION	TITLE CUSTOM HEADER .100/(2.54) CENTERLINE VERTICAL/SMT SINGLE ROW MOLEX INCORPORATED	MATERIAL NO. SEE TABLE SIZE A3	DOCUMENT NO. SD-68301-001	SHEET NO. 2 OF 5
				mm	INCH																					
4 PLACES	± .13	± .005																								
3 PLACES	± .13	± .010																								
2 PLACES	± 0.25	± .010																								
1 PLACE	± 0.25	± .010																								
ANGULAR ± 1/2°																										
DRAFT WHERE APPLICABLE MUST REMAIN WITHIN DIMENSIONS THIS DRAWING CONTAINS INFORMATION THAT IS PROPRIETARY TO MOLEX INCORPORATED AND SHOULD NOT BE USED WITHOUT WRITTEN PERMISSION																										



Distributor of Molex Connector Corporation: Excellent Integrated System Limited

Datasheet of 68301-1016 - CONN HEADER 5POS .100" VERT TIN

Contact us: sales@integrated-circuit.com Website: www.integrated-circuit.com

	10	9	8	7	6	5	4	3	2	1
	MATERIAL NO.	OPTIONAL SUB ASSY	PLT REF	DIM M	DIM G	CKT SIZE	VOID CKT #	KINKED PIN	PICK & PLACE CAP	CUT PIN CKT NO.
F	68301-1054	42375-0002	154	.240 6.10	-	2	NONE	NONE	-	-
	68301-1055	42375-0037	208	.240 6.10	-	2	NONE	NONE	-	-
	68301-1056	42375-0072	228	.240 6.10	-	2	NONE	NONE	-	-
	68301-1051	42375-0107	154	.320 8.13	-	2	NONE	NONE	-	-
	68301-1009	42375-0038	208	.240 6.10	-	3	NONE	NONE	-	-
	68301-1014	42375-0003	154	.240 6.10	-	3	NONE	NONE	-	-
E	68301-1020	42375-0073	228	.240 6.10	-	3	NONE	NONE	-	-
	68301-1031	42375-0108	154	.320 8.13	-	3	NONE	NONE	-	-
	68301-1037	42375-0143	208	.320 8.13	-	3	NONE	NONE	-	-
	68301-1010	42375-0039	208	.240 6.10	-	4	NONE	NONE	-	-
	68301-1015	42375-0004	154	.240 6.10	-	4	NONE	NONE	-	-
	68301-1021	42375-0074	228	.240 6.10	-	4	NONE	NONE	-	-
D	68301-1032	42375-0109	154	.320 8.13	-	4	NONE	NONE	-	-
	68301-0400	-	228	.320 8.13	.513 13.02	4	NONE	NONE	YES	-
	68301-1038	42375-0144	208	.320 8.13	-	4	NONE	NONE	-	-
	68301-1006	42375-0040	208	.240 6.10	-	5	NONE	NONE	-	-
	68301-1016	42375-0005	154	.240 6.10	-	5	NONE	NONE	-	-
	68301-1033	42375-0110	154	.320 8.13	-	5	NONE	NONE	-	-
C	68301-1039	42375-0145	208	.320 8.13	-	5	NONE	NONE	-	-

ADD T&R P/N 68301-0400 EC NO. S2009-0634 DRAWN:SKANG 2009/04/07 CHK:DATSEE 2009/04/06 APPR:MLONG 2009/04/14 REV M6	QUALITY SYMBOLS ▼=0 ▽=0	GENERAL TOLERANCES (UNLESS SPECIFIED) <table border="1"> <tr><td></td><td>mm</td><td>INCH</td></tr> <tr><td>4 PLACES</td><td>± .13</td><td>± .005</td></tr> <tr><td>3 PLACES</td><td>± .13</td><td>± .010</td></tr> <tr><td>2 PLACES</td><td>± 0.25</td><td>± .010</td></tr> <tr><td>1 PLACE</td><td>± 0.25</td><td>± .010</td></tr> <tr><td colspan="3">ANGULAR ± 1/2°</td></tr> </table>		mm	INCH	4 PLACES	± .13	± .005	3 PLACES	± .13	± .010	2 PLACES	± 0.25	± .010	1 PLACE	± 0.25	± .010	ANGULAR ± 1/2°			DIMENSION STYLE IN/MM DRAWN BY DATE SAMIAC 2000/10/28 CHECKED BY DATE SAMIEC 2000/10/28 APPROVED BY DATE EDGLEY 2000/10/28	SCALE NTS DESIGN UNITS INCH THIRD ANGLE PROJECTION	TITLE CUSTOM HEADER .100/(2.54) CENTERLINE VERTICAL/SMT SINGLE ROW MOLEX INCORPORATED	MATERIAL NO. SEE TABLE DOCUMENT NO. SD-68301-001 SHEET NO. 3 OF 5
		mm	INCH																					
4 PLACES	± .13	± .005																						
3 PLACES	± .13	± .010																						
2 PLACES	± 0.25	± .010																						
1 PLACE	± 0.25	± .010																						
ANGULAR ± 1/2°																								
DRAFT WHERE APPLICABLE MUST REMAIN WITHIN DIMENSIONS		THIS DRAWING CONTAINS INFORMATION THAT IS PROPRIETARY TO MOLEX INCORPORATED AND SHOULD NOT BE USED WITHOUT WRITTEN PERMISSION																						



Distributor of Molex Connector Corporation: Excellent Integrated System Limited

Datasheet of 68301-1016 - CONN HEADER 5POS .100" VERT TIN

Contact us: sales@integrated-circuit.com Website: www.integrated-circuit.com

	10	9	8	7	6	5	4	3	2	1	
	ASSEMBLY IN TUBE	ASSEMBLY IN T&R WITH CAP	OPTIONAL SUB ASSY	PLT REF	DIM M	DIM G	CKT SIZE	VOID CKT #	KINKED PIN	PICK & PLACE CAP	CUT PIN CKT NO.
F	68301-1011	-	42375-0041	208	.240 6.10	-	6	NONE	NONE	-	-
	68301-1017	-	42375-0006	154	.240 6.10	-	6	NONE	NONE	-	-
	68301-1034	68301-1160	42375-0111	154	.320 8.13	.513 13.02	6	NONE	NONE	YES	-
	68301-1040	-	42375-0146	208	.240 6.10	-	6	NONE	NONE	-	-
	68301-1023	-	42375-0076	228	.240 6.10	-	6	NONE	NONE	-	-
	68301-1012	-	42375-0042	208	.240 6.10	-	7	NONE	NONE	-	-
E	68301-1018	-	42375-0007	154	.240 6.10	-	7	NONE	NONE	-	-
	68301-1035	-	42375-0112	154	.320 8.13	-	7	NONE	NONE	-	-
	68301-1041	-	42375-0147	208	.320 8.13	-	7	NONE	NONE	-	-
	68301-1013	-	42375-0043	208	.240 6.10	-	8	NONE	NONE	-	-
	68301-1029	-	-	228	.240 6.10	-	8	NONE	NONE	-	-
	68301-1019	-	42375-0008	154	.240 6.10	-	8	NONE	NONE	-	-
D	68301-1028	-	-	228	.505 12.83	-	8	NONE	NONE	-	-
	68301-1036	-	42375-0113	154	.320 8.13	-	8	NONE	NONE	-	-
	68301-1042	-	42375-0148	208	.320 8.13	-	8	NONE	NONE	-	-
	68301-0800	-	-	208	.605 15.37	-	8	NONE	NONE	-	-
	68301-1076	-	42375-0044	208	.240 6.10	-	9	NONE	NONE	-	-
	68301-1060	-	-	154	.240 6.10	-	9	NONE	NONE	-	-

C										
---	--	--	--	--	--	--	--	--	--	--

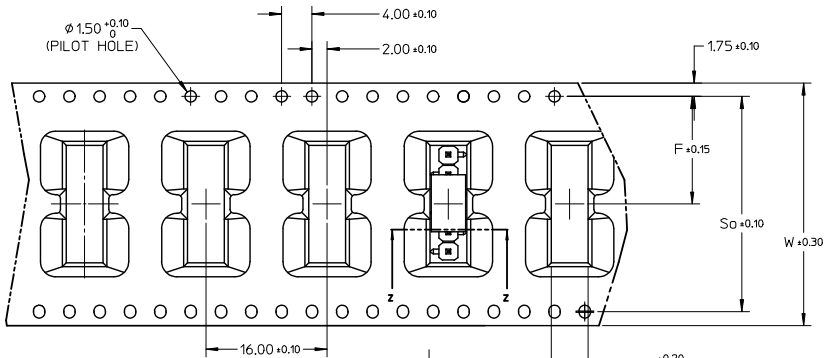
B										
---	--	--	--	--	--	--	--	--	--	--

A	ADD T&R P/N 68301-0400 EC NO. S2009-0634 DRAWN:KANG 2009/04/07 CHK:DATSEE 2009/04/06 APPR:MLONG 2009/04/14 REV M6	QUALITY SYMBOLS ▽=0 ▽=0	GENERAL TOLERANCES (UNLESS SPECIFIED) 4 PLACES ± --- ± --- 3 PLACES ± --- ± .005 2 PLACES ± 0.13 ± .010 1 PLACE ± 0.25 ± --- ANGULAR ± 1/2°	DIMENSION STYLE IN/MM DRAWN BY DATE SAMIAC 2000/10/28 CHECKED BY DATE SAMIEC 2000/10/28 APPROVED BY DATE EDGLEY 2000/10/28	SCALE NTS DESIGN UNITS INCH THIRD ANGLE PROJECTION	TITLE CUSTOM HEADER .100/(2.54) CENTERLINE VERTICAL/SMT SINGLE ROW MOLEX INCORPORATED	MATERIAL NO. SEE TABLE	DOCUMENT NO. SD-68301-001	SHEET NO. 4 OF 5
		DRAFT WHERE APPLICABLE MUST REMAIN WITHIN DIMENSIONS THIS DRAWING CONTAINS INFORMATION THAT IS PROPRIETARY TO MOLEX INCORPORATED AND SHOULD NOT BE USED WITHOUT WRITTEN PERMISSION							

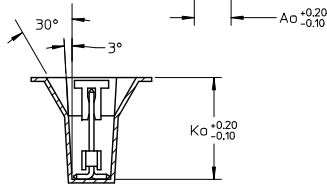
	10	9	8	7	6	5	4	3	2	1
--	----	---	---	---	---	---	---	---	---	---

CKT SIZE	QTY/ REEL	Ao	Ko	F	So	W	TYPE
4	TBD	4.85	13.40	11.50	-	24.00	B
6	230	4.85	13.40	14.20	28.40	32.00	A
10	230	4.90	11.30	20.20	40.40	44.00	A

**EMBOSSED TYPE A**



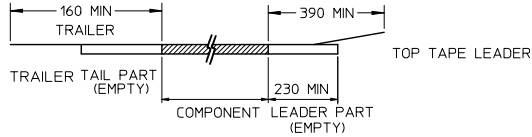
CUSTOMER PULL OUT DIRECTION



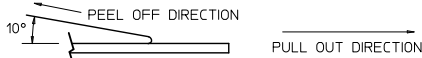
SECTION Z-Z

**NOTES:**

1. LEADER AND TRAILER TAPE

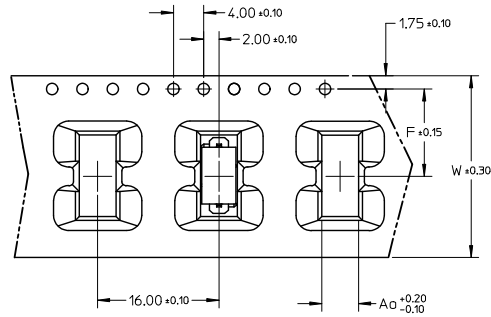


2. PEELING OFF FORCE OF THE TOP TAPE: 60gf MAX. (PEELING DIRECTION AS SHOWN IN FOLLOWING FIGURE)



- 3. THE TAPE IS TREATED FOR ANTI ESD
- 4. PACKAGING STANDARD AS PER EIA-481.
- 5. ABOVE PACKAGING ILLUSTRATION IS FOR 6CKT ONLY.

**EMBOSSED TYPE B**



CUSTOMER PULL OUT DIRECTION

ADD T&R P/N 68301-0400 EC NO: S2009-0634 DRAWN:KANG 2009/04/07 CHK:DATSEE 2009/04/06 APPR:MLONG 2009/04/14 REV M6	QUALITY SYMBOLS ▽=0 ▽=0	GENERAL TOLERANCES (UNLESS SPECIFIED)		DIMENSION STYLE IN/MM		SCALE NTS	DESIGN UNITS INCH	THIRD ANGLE PROJECTION
		4 PLACES ± --- ± --- 3 PLACES ± --- ± .005 2 PLACES ± 0.13 ± .010 1 PLACE ± 0.25 ± --- ANGULAR ± 1/2°	DRAWN BY SAMIAC DATE 2000/10/28	CHECKED BY SAMIEC DATE 2000/10/28	APPROVED BY EDGLEY DATE 2000/10/28	TITLE CUSTOM HEADER .100/(2.54) CENTERLINE VERTICAL/SMT SINGLE ROW		MOLEX INCORPORATED
DRAFT WHERE APPLICABLE MUST REMAIN WITHIN DIMENSIONS		MATERIAL NO. SEE TABLE		DOCUMENT NO. SD-68301-001		THIS DRAWING CONTAINS INFORMATION THAT IS PROPRIETARY TO MOLEX INCORPORATED AND SHOULD NOT BE USED WITHOUT WRITTEN PERMISSION		