

Excellent Integrated System Limited

Stocking Distributor

Click to view price, real time Inventory, Delivery & Lifecycle Information:

[Intersil](#)
[X93254UV14I-3](#)

For any questions, you can email us directly:
sales@integrated-circuit.com

Dual Digitally Controlled Potentiometers (XDCPs™)

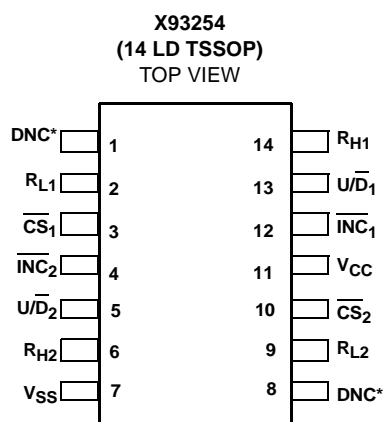
The Intersil X93254 is a dual digitally controlled potentiometer (XDCP). The device consists of two resistor arrays, wiper switches, a control section, and nonvolatile memory. The wiper positions are controlled by individual Up/Down interfaces.

A potentiometer is implemented by a resistor array composed of 31 resistive elements and a wiper switching network. The position of each wiper element is controlled by a set of independent \overline{CS} , U/\overline{D} , and \overline{INC} inputs. The position of the wiper can be stored in nonvolatile memory and then be recalled upon during a subsequent power-up operation.

Each potentiometer is connected as a two-terminal variable resistor and can be used in a wide variety of applications including:

- Bias and Gain control
- LCD Contrast Adjustment

Pinout



*Do not connect.

Features

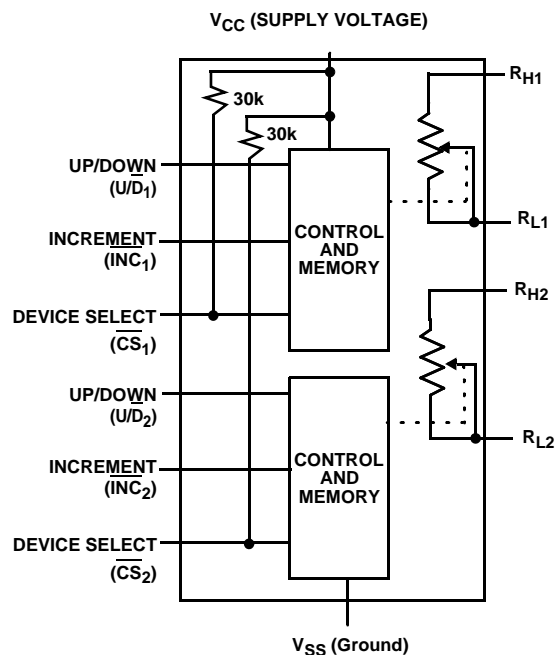
- Dual solid-state potentiometers
- Independent Up/Down interfaces
- 32 wiper tap points per potentiometer
 - Wiper position stored in nonvolatile memory and recalled on power-up
- 31 resistive elements per potentiometer
 - Temperature compensated
 - Maximum resistance tolerance of $\pm 30\%$
 - Terminal voltage, 0 to V_{CC}
- Low power CMOS
 - V_{CC} = 3V $\pm 10\%$
 - Active current, 250 μ A max
 - Standby current, 1 μ A max
- High reliability
 - Endurance 200,000 data changes per bit
 - Register data retention, 100 years
- R_{TOTAL} value = 50k Ω
- 14 Ld TSSOP package

Ordering Information

| PART NUMBER | PART MARKING | V _{CC} LIMITS (V) | R _{TOTAL} (k Ω) | TEMP RANGE (°C) | PACKAGE | PKG DWG. # |
|---------------|--------------|----------------------------|----------------------------------|-----------------|-------------|------------|
| X93254UV141-3 | X9325 4UVE | 3 $\pm 10\%$ | 50 | -40 to +85 | 14 Ld TSSOP | M14.173 |

X93254

Block Diagram



Pin Descriptions

| TSSOP | SYMBOL | DESCRIPTION |
|-------|--------------------|------------------------|
| 1 | DNC | Do Not Connect |
| 2 | RL1 | Low Terminal 1 |
| 3 | CS1 | Chip Select 1 |
| 4 | \overline{INC}_2 | Increment 2 |
| 5 | U/\overline{D}_2 | Up/Down 2 |
| 6 | RH2 | High Terminal 2 |
| 7 | VSS | Ground |
| 8 | DNC | Do Not Connect |
| 9 | RL2 | Low Terminal 2 |
| 10 | CS2 | Chip Select 2 |
| 11 | VCC | Supply Voltage |
| 12 | \overline{INC}_1 | Increment 1 |
| 13 | U/\overline{D}_1 | Up/Down 1 |
| 14 | RH1 | High Terminal 1 |

X93254

Absolute Maximum Ratings

Voltage on \overline{CS} , \overline{INC} , U/\overline{D} , R_H , R_L and V_{CC}
 with respect to V_{SS} -1V to +6.5V
 Maximum resistor current 2mA

Thermal Information

Temperature under bias -65°C to +135°C
 Storage temperature -65°C to +150°C
 Lead temperature (soldering 10s) +300°C
 Maximum reflow temperature (40s) +240°C

Recommended Operating Conditions

Temperature Range
 Industrial -40°C to +85°C
 Supply Voltage
 V_{CC} 3V \pm 10% (Note 6)

CAUTION: Do not operate at or near the maximum ratings listed for extended periods of time. Exposure to such conditions may adversely impact product reliability and result in failures not covered by warranty.

NOTES:

1. Absolute linearity is utilized to determine actual wiper voltage versus expected voltage = $(V_{H(n)}(\text{actual}) - V_{H(n)}(\text{expected})) = \pm 1 \text{ MI}$ Maximum.
 $n = 1 \dots 29$ only
2. Relative linearity is a measure of the error in step size between taps = $V_{H(n+1)} - [V_{H(n)} + \text{MI}] = \pm 0.5 \text{ MI}$, $n = 1 \dots 29$ only.
3. 1 MI = Minimum Increment = $R_{TOT}/31$.
4. Typical values are for $T_A = +25^\circ\text{C}$ and nominal supply voltage.
5. Limits established by characterization and are not production tested.
6. When performing multiple write operations, V_{CC} must not decrease by more than 150mV from its initial value.
7. Parts are 100% tested at +25°C. Over-temperature limits established by characterization and are not production tested.

Potentiometer Specifications Over recommended operating conditions, unless otherwise stated.

| SYMBOL | PARAMETER | TEST CONDITIONS/NOTES | MIN (Note 7) | TYP (Note 4) | MAX (Note 7) | UNIT |
|---------------|-------------------------------------|---|-----------------|-----------------|-----------------|------------------------|
| R_{TOT} | End-to-End Resistance | | 37.5 | 50 | 62.5 | k Ω |
| V_R | R_H , R_L Terminal Voltages | | 0 | | V_{CC} | V |
| | Power Rating | $R_{TOTAL} = 50\text{k}\Omega$ | | | 1 | m Ω (Note 5) |
| | Noise | Ref: 1kHz | | -120 | | dBV (Note 5) |
| R_W | Wiper Resistance | (Note 5) | | | 1000 | Ω |
| I_W | Wiper Current | (Note 5) | | | 0.6 | mA |
| | Resolution | | | 3 | | % |
| | Absolute Linearity (Note 1) | $V_{H(n)}(\text{actual}) - V_{H(n)}(\text{expected})$ | | | ± 1 | MI (Note 3) |
| | Relative Linearity (Note 2) | $V_{H(n+1)} - [V_{H(n)} + \text{MI}]$ | | | ± 0.5 | MI (Note 3) |
| | R_{TOTAL} Temperature Coefficient | (Note 5) | | ± 35 | | ppm/ $^\circ\text{C}$ |
| $C_H/C_L/C_W$ | Potentiometer Capacitances | See "Circuit #2 SPICE Macro Model" on page 4 | | 10/10/25 | | pF (Note 5) |

X93254

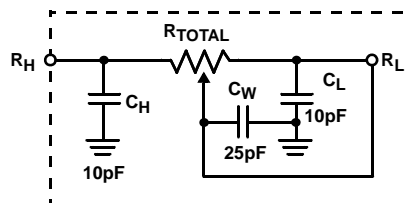
DC Operating Specifications Over recommended operating conditions unless otherwise stated.

| SYMBOL | PARAMETER | TEST CONDITIONS/NOTES | MIN (Note 7) | TYP (Note 4) | MAX (Note 7) | UNIT |
|------------------|--|--|---------------------|--------------|---------------------|---------|
| I _{CC1} | V _{CC} Active Current (Increment) per DCP | $\overline{CS} = V_{IL}$, $U/\overline{D} = V_{IL}$ or V_{IH} and $\overline{INC} = 0.4V$ @ max. t_{CY} | | 50 | 250 | μA |
| I _{CC2} | V _{CC} Active Current (Store) (EEPROM Store) per DCP | $\overline{CS} = V_{IH}$, $U/\overline{D} = V_{IL}$ or V_{IH} and $\overline{INC} = V_{IH}$ @ max. t_{WR} | | | 600 | μA |
| I _{SB} | Standby Supply Current | $\overline{CS} = V_{CC} - 0.3V$, U/\overline{D} and $\overline{INC} = V_{SS}$ or $V_{CC} - 0.3V$ | | | 1 | μA |
| I _{LI} | \overline{CS}_1 or \overline{CS}_2 | $V_{IN} = V_{CC}$ | | | ± 1 | μA |
| I _{LI} | \overline{CS}_1 or \overline{CS}_2 | $V_{CC} = 3V$, $\overline{CS} = 0$ | 60 | 100 | 150 | μA |
| I _{LI} | \overline{INC}_1 , \overline{INC}_2 , U/\overline{D}_1 , U/\overline{D}_2 Input Leakage Current | $V_{IN} = V_{SS}$ to V_{CC}) | | | ± 1 | μA |
| V _{IH} | \overline{CS}_1 , \overline{CS}_2 , \overline{INC}_1 , \overline{INC}_2 , U/\overline{D}_1 , U/\overline{D}_2 Input HIGH Voltage | | $V_{CC} \times 0.7$ | | $V_{CC} + 0.5$ | V |
| V _{IL} | \overline{CS}_1 , \overline{CS}_2 , \overline{INC}_1 , \overline{INC}_2 , U/\overline{D}_1 , U/\overline{D}_2 Input HIGH Voltage | | -0.5 | | $V_{CC} \times 0.1$ | V |
| C _{IN} | \overline{CS}_1 , \overline{CS}_2 , \overline{INC}_1 , \overline{INC}_2 , U/\overline{D}_1 , U/\overline{D}_2 Input Capacitance | $V_{CC} = 3V$, $V_{IN} = V_{SS}$, $T_A = +25^\circ C$, $f = 1MHz$ (Note 5) | | | 10 | pF |

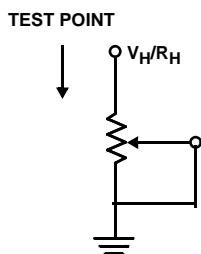
Endurance and Data Retention

| PARAMETER | MIN | UNIT |
|-------------------|---------|----------------------|
| Minimum endurance | 200,000 | Data changes per bit |
| Data retention | 100 | Years |

Circuit #2 SPICE Macro Model



Test Circuit #1



AC Conditions of Test

| | |
|---------------------------|----------|
| Input pulse levels | 0V to 3V |
| Input rise and fall times | 10ns |
| Input reference levels | 1.5V |

AC Operating Specifications Over recommended operating conditions, unless otherwise stated. \overline{CS} , \overline{INC} , U/\overline{D} , R_H and R_L are used to refer to either CS₁ or CS₂, etc.

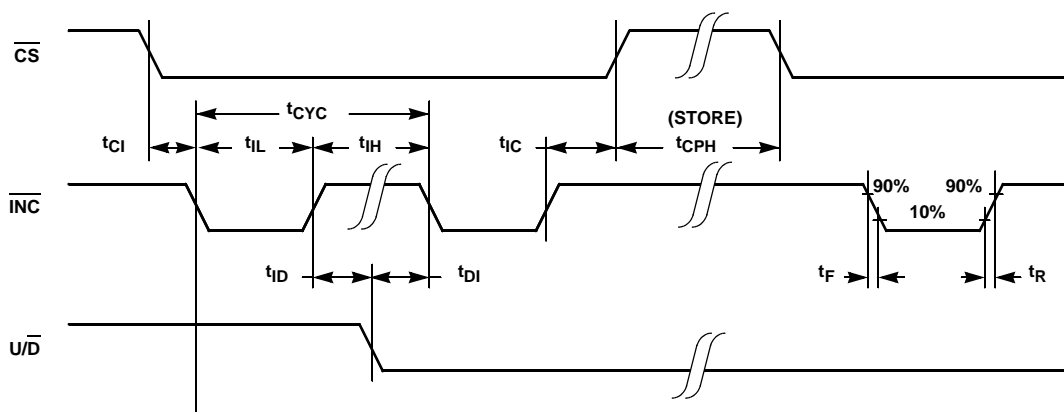
| SYMBOL | PARAMETER | MIN (Note 7) | TYP (Note 4) | MAX (Note 7) | UNIT |
|------------------|---|--------------|--------------|--------------|---------|
| t _{CI} | \overline{CS} to \overline{INC} Setup | 100 | | | ns |
| t _{ID} | \overline{INC} HIGH to U/\overline{D} Change | 100 | | | ns |
| t _{DI} | U/\overline{D} to \overline{INC} Setup | 100 | | | ns |
| t _{IL} | \overline{INC} LOW Period | 1 | | | μs |
| t _{IH} | \overline{INC} HIGH Period | 1 | | | μs |
| t _{IC} | \overline{INC} Inactive to \overline{CS} Inactive | 1 | | | μs |
| t _{CPH} | \overline{CS} Deselect time (No Store) | 250 | | | ns |
| t _{CPH} | \overline{CS} Deselect time (Store) | 10 | | | ms |

X93254

AC Operating Specifications Over recommended operating conditions, unless otherwise stated. \overline{CS} , \overline{INC} , U/\overline{D} , R_H and R_L are used to refer to either CS_1 or CS_2 , etc. (Continued)

| SYMBOL | PARAMETER | MIN (Note 7) | TYP (Note 4) | MAX (Note 7) | UNIT |
|--------------------------|---|--------------|--------------|--------------|---------|
| t_{CYC} | \overline{INC} Cycle Time | 2 | | | μs |
| t_R, t_F (Note 5) | \overline{INC} input Rise and Fall Time | | | 500 | μs |
| $t_R V_{CC}$ (Note 5) | V_{CC} Power-up Rate | 1 | | 50 | V/ms |
| t_{WR} | Store Cycle | | 5 | 10 | ms |

AC Timing



Note: \overline{CS} , \overline{INC} , U/\overline{D} , R_H and R_L are used to refer to either CS_1 or CS_2 , etc.

Power-up and Power-down Requirements

There are no restrictions on the power-up or power-down conditions of V_{CC} and the voltages applied to the potentiometer pins provided that V_{CC} is always more positive than or equal to V_H and V_L , i.e., $V_{CC} \geq V_H, V_L$. The V_{CC} ramp rate specification is always in effect.

Pin Descriptions

In the text, \overline{CS} , \overline{INC} , U/\overline{D} , R_H and R_L are used to refer to either CS_1 or CS_2 , etc. Note: These signals can be applied independently or at the same time.

R_H and R_L

The R_H and R_L pins of the X93254 are equivalent to the fixed terminals of a mechanical potentiometer. The minimum voltage is V_{SS} and the maximum is V_{CC} . The terminology of R_H and R_L references the relative position of the terminal in relation to wiper movement direction selected by the U/\overline{D} input per potentiometer.

Up/Down (U/\overline{D})

The U/\overline{D} input controls the direction of a single potentiometer's wiper movement and whether the counter is incremented or decremented.

Increment (\overline{INC})

The \overline{INC} input is negative-edge triggered. Toggling \overline{INC} will move the wiper and either increment or decrement the corresponding potentiometer's counter in the direction indicated by the logic level on the corresponding potentiometer's U/\overline{D} input.

Chip Select (\overline{CS})

A potentiometer is selected when the corresponding \overline{CS} input is LOW. Its current counter value is stored in nonvolatile memory when the corresponding \overline{CS} is returned HIGH while the corresponding \overline{INC} input is also HIGH. After the store operation is complete, the affected potentiometer will be placed in the low power standby mode until the potentiometer is selected once again.

Principles of Operation

There are multiple sections for each potentiometer in the X93254: an input control, a counter and decode section; the nonvolatile memory; and a resistor array. Each input control section operates just like an up/down counter. The output of this counter is decoded to turn on a single electronic switch connecting a point on the resistor array to the wiper output. Under the proper conditions, the contents of the counter can be stored in nonvolatile memory and retained for future use. Each resistor array is comprised of 31 individual resistors

X93254

connected in series. At either end of the array and between each resistor is an electronic switch that transfers the connection at that point to the wiper.

Each wiper, when at either fixed terminal, acts like its mechanical equivalent and does not move beyond the last position. That is, the counter does not wrap around when clocked to either extreme.

If the wiper is moved several positions, multiple taps are connected to the wiper for t_{1W} (INC to V_W change). The 2-terminal resistance value for the device can temporarily change by a significant amount if the wiper is moved several positions.

When the device is powered-down, the last wiper position stored will be maintained in the nonvolatile memory for each potentiometer. When power is restored, the contents of the memory are recalled and each wiper is set to the value last stored.

Instructions and Programming

The \overline{INC} , U/\overline{D} and \overline{CS} inputs control the movement of the wiper along the resistor array. With \overline{CS} set LOW the potentiometer is selected and enabled to respond to the U/\overline{D} and \overline{INC} inputs. HIGH to LOW transitions on \overline{INC} will increment or decrement (depending on the state of the U/\overline{D} input) a 5-bit counter. The output of this counter is decoded to select one of thirty two wiper positions along the resistive array.

The value of the counter is stored in nonvolatile memory whenever each \overline{CS} transitions HIGH while the \overline{INC} input is also HIGH. In order to avoid an accidental store during power-up, each \overline{CS} must go HIGH with V_{CC} during initial power-up. When left open, each \overline{CS} pin is internally pulled up to V_{CC} by an internal 30k resistor.






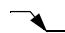
The system may select the X93254, move any wiper and deselect the device without having to store the latest wiper position in nonvolatile memory. After the wiper movement is performed as previously described and once the new position is reached, the system must keep \overline{INC} LOW while taking \overline{CS} HIGH. The new wiper position will be maintained until changed by the system or until a power-up/down cycle recalled the previously stored data. In order to recall the stored position of the wiper on power-up, the \overline{CS} pin must be held HIGH.

This procedure allows the system to always power-up to a preset value stored in nonvolatile memory; then during system operation minor adjustments could be made. The

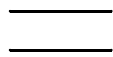


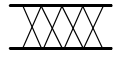
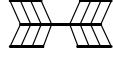
adjustments might be based on user preference, system parameter changes due to temperature drift, or other system trim requirements.

The state of U/\overline{D} may be changed while \overline{CS} remains LOW. This allows the host system to enable the device and then move each wiper up and down until the proper trim is attained.

Mode Selection

| CS | INC | U/D | MODE |
|---|---|-----|------------------------------|
| L |  | H | Wiper Up |
| L |  | L | Wiper Down |
|  | H | X | Store Wiper Position |
| H | X | X | Standby Current |
|  | L | X | No Store, Return to Standby |
|  | L | H | Wiper Up (not recommended) |
|  | L | L | Wiper Down (not recommended) |

Symbol Table

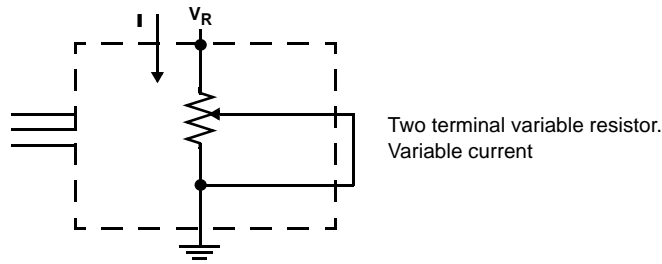
| WAVEFORM | INPUTS | OUTPUTS |
|--|-----------------------------|-------------------------------|
|  | Must be steady | Will be steady |
|  | May change from Low to High | Will change from Low to High |
|  | May change from High to Low | Will change from High to Low |
|  | Don't Care: Changes Allowed | Changing: State Not Known |
|  | N/A | Center Line is High Impedance |

Applications Information

Electronic digitally controlled (XDCCP) potentiometers provide three powerful application advantages:

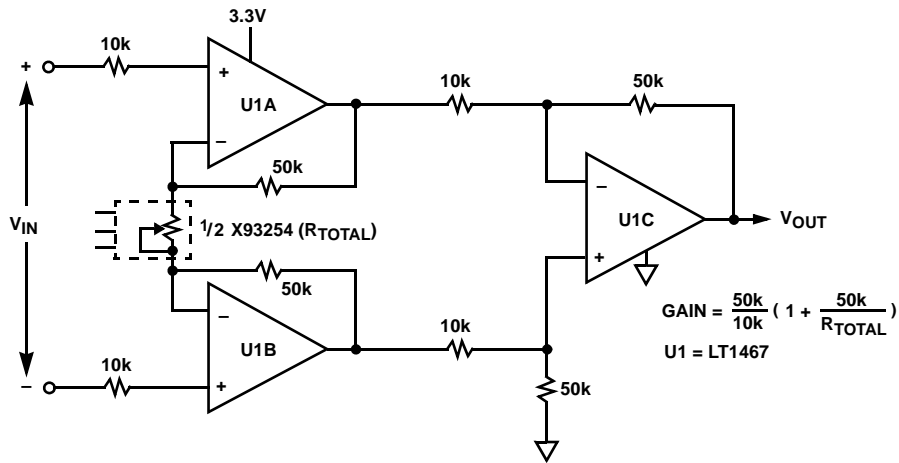
1. The variability and reliability of a solid-state potentiometer
2. The flexibility of computer-based digital controls
3. The retentivity of nonvolatile memory used for the storage of multiple potentiometer settings or data

X93254

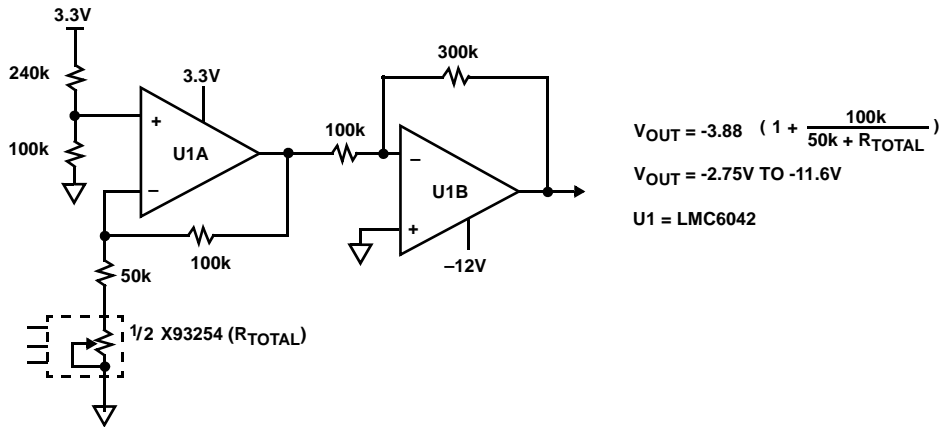


Two terminal variable resistor.
Variable current

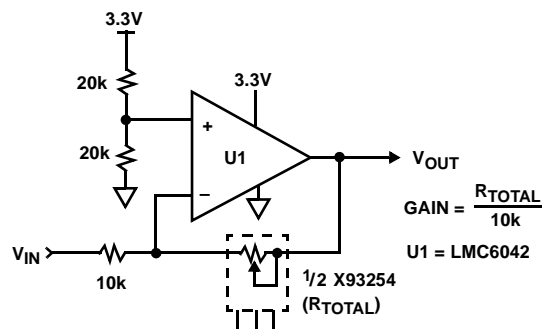
Low Voltage High Impedance Instrumentation Amplifier



Micro-Power LCD Contrast Control

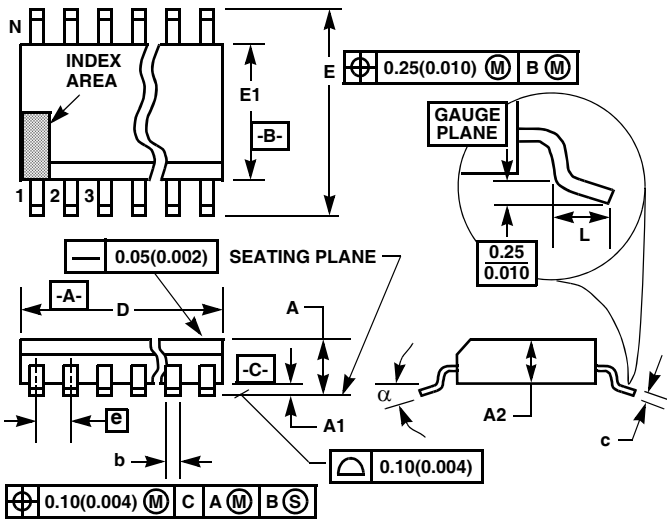


Single Supply Variable Gain Amplifier



X93254

Thin Shrink Small Outline Plastic Packages (TSSOP)



M14.173 14 LEAD THIN SHRINK SMALL OUTLINE PLASTIC PACKAGE

| SYMBOL | INCHES | | MILLIMETERS | | NOTES |
|----------|-----------|--------|-------------|------|-------|
| | MIN | MAX | MIN | MAX | |
| A | - | 0.047 | - | 1.20 | - |
| A1 | 0.002 | 0.006 | 0.05 | 0.15 | - |
| A2 | 0.031 | 0.041 | 0.80 | 1.05 | - |
| b | 0.0075 | 0.0118 | 0.19 | 0.30 | 9 |
| c | 0.0035 | 0.0079 | 0.09 | 0.20 | - |
| D | 0.195 | 0.199 | 4.95 | 5.05 | 3 |
| E1 | 0.169 | 0.177 | 4.30 | 4.50 | 4 |
| e | 0.026 BSC | | 0.65 BSC | | - |
| E | 0.246 | 0.256 | 6.25 | 6.50 | - |
| L | 0.0177 | 0.0295 | 0.45 | 0.75 | 6 |
| N | 14 | | 14 | | 7 |
| α | 0° | 8° | 0° | 8° | - |

NOTES:

1. These package dimensions are within allowable dimensions of JEDEC MO-153-AC, Issue E.
2. Dimensioning and tolerancing per ANSI Y14.5M-1982.
3. Dimension "D" does not include mold flash, protrusions or gate burrs. Mold flash, protrusion and gate burrs shall not exceed 0.15mm (0.006 inch) per side.
4. Dimension "E1" does not include interlead flash or protrusions. Interlead flash and protrusions shall not exceed 0.15mm (0.006 inch) per side.
5. The chamfer on the body is optional. If it is not present, a visual index feature must be located within the crosshatched area.
6. "L" is the length of terminal for soldering to a substrate.
7. "N" is the number of terminal positions.
8. Terminal numbers are shown for reference only.
9. Dimension "b" does not include dambar protrusion. Allowable dambar protrusion shall be 0.08mm (0.003 inch) total in excess of "b" dimension at maximum material condition. Minimum space between protrusion and adjacent lead is 0.07mm (0.0027 inch).
10. Controlling dimension: MILLIMETER. Converted inch dimensions are not necessarily exact. (Angles in degrees)

Rev. 2 4/06

All Intersil U.S. products are manufactured, assembled and tested utilizing ISO9000 quality systems. Intersil Corporation's quality certifications can be viewed at www.intersil.com/design/quality

Intersil products are sold by description only. Intersil Corporation reserves the right to make changes in circuit design, software and/or specifications at any time without notice. Accordingly, the reader is cautioned to verify that data sheets are current before placing orders. Information furnished by Intersil is believed to be accurate and reliable. However, no responsibility is assumed by Intersil or its subsidiaries for its use; nor for any infringements of patents or other rights of third parties which may result from its use. No license is granted by implication or otherwise under any patent or patent rights of Intersil or its subsidiaries.

For information regarding Intersil Corporation and its products, see www.intersil.com