

## Excellent Integrated System Limited

Stocking Distributor

Click to view price, real time Inventory, Delivery & Lifecycle Information:

[TDK Corporation](#)

[CXA-0326](#)

For any questions, you can email us directly:

[sales@integrated-circuit.com](mailto:sales@integrated-circuit.com)

# CXA-0326

## Dimming/Connector Type

### ■ Features

- 2-output
- Applicable panel size\*: 5 to 8 inches
- With brightness control function (Pulse Wide Modulation mode).
- With a sensing function for running out of lamp (alarm output).
- In the high-voltage generator (a terminal and a pattern), an anti-dust measure by silicone application is taken.  
(Notice) Applicable panel size becomes a standard.

### ■ Applications



## CXA-0326 Specifications (Please refer to each specification before use)

### Electrical Characteristics

Item	Unit	Symbol	Specification			Condition					Remark	
			min	typ	max	Vin(V)	Vrmt(V)	Vbr(V)	Rbr(kΩ)	Ta(°C)		RL(kΩ)
Output Current	mA	Iout (Maximum dimmer)	4.9	5.5	6.1	9 to 19	5	0	-	-10 to +70	68	Voltage dimmer (*1)
			4.9	5.5	6.1	9 to 19	5	-	0	-10 to +70	68	Volume dimmer (*1)
		Iout (Minimum dimmer)	1.9	2.5	3.1	9 to 19	5	2.5	-	-10 to +70	68	Voltage dimmer (*1)
			1.9	2.5	3.1	9 to 19	5	-	50	-10 to +70	68	Volume dimmer (*1)
Input Current	A	Iin1	-		0.75	9 to 19	5	0		-10 to +70	68	Remote ON
	mA	Iin2	-		2	9 to 19	0		-10 to +70	68	Remote OFF	
Frequency	kHz	Freq1	49	55	61	9 to 19	5	0		-10 to +70	68	
	Hz	Freq2(Duty frequency)	300	350	400	9 to 19	5	2.5	50	-10 to +70	68	
Open Circuit Voltage	Vrms	Vopen	1000	1300	-	9 to 19	5	0		-10 to +70	∞	Open load
Alarm Signal	V	Vst	4.5	5.0	5.5	9 to 19	5	0		-10 to +70	∞	In case of lamp anomaly (*2)
			-	0	0.5	9 to 19	5	0		-10 to +70	68	On a normal operation (*2)

(\*1) Please refer to the connection diagram for details of a dimming method.

(\*2) Please refer to the connection diagram for details of alarm output.

### Other Specifications

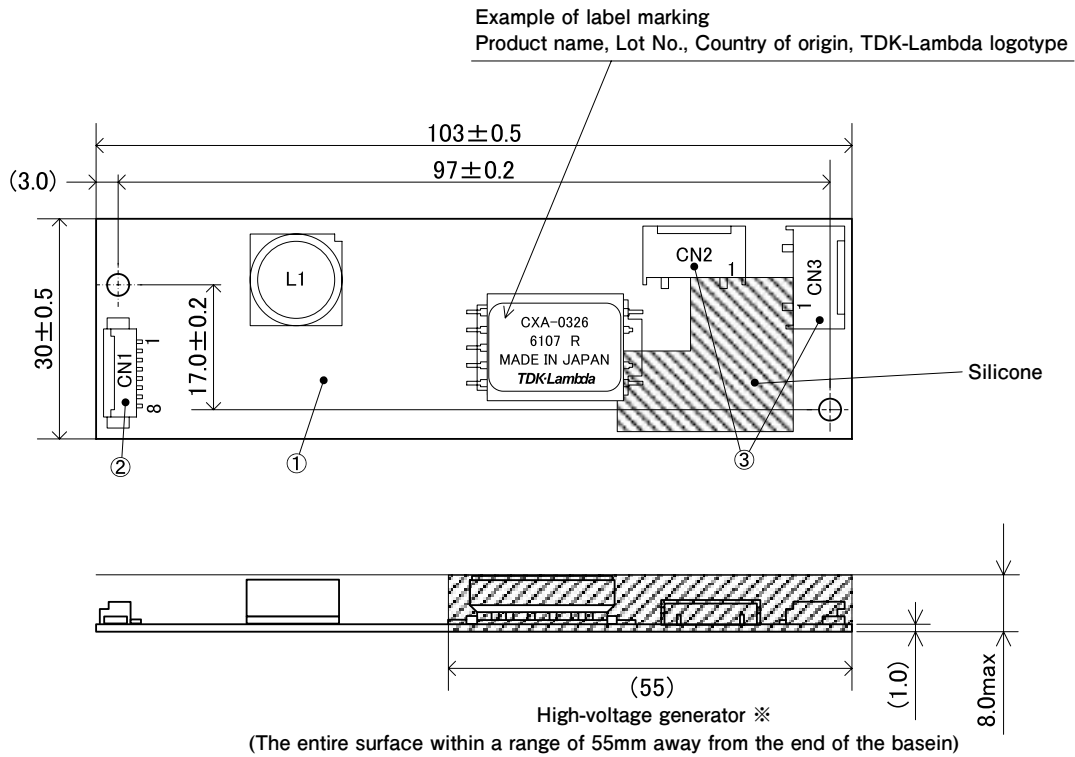
Dimming Function		Yes
Operating Temperature	°C	-10 to +70
Storage Temperature	°C	-30 to +85
Operating Humidity Ratio	RH%	95Max
Safety Standard		-
Weight	g	20
Dimensions(WxDxH)	mm	103x30x8 (*3)
Fused Input		Yes
Remote ON / OFF		Yes
Alarm Signal Function		Yes
Shutdown Function		No
Silicone Coating on High Voltage Area		Yes

(\*3) These dimensions are indicated the maximum only H. Others are typical values.

### ■ Conformity to RoHs Directive

This means that, in conformity with EU Directive 2002/95/EC, lead, cadmium, mercury, hexavalent chromium, and specific bromine-based flame retardants, PBB and PBDE, have not been used, except for exempted applications.

## Outline Drawing



※From high-voltage generator, please secure space distance more than 2mm in top and bottom right and left.

unit:mm

### Connector

Connector number	Part number	Model/Material	Quantity	Remarks	Recommended applicable connector
①	Printed circuit board PCB	Composite (CEM-3)	1	UL94V-0 t=1.0	—
②	Input connector CN1	53261-0871	1	Molex Inc.	51021-0800
③	Output connector CN2,CN3	SM02 (8.0) B-BHS-1-TB (LF) (SN)	2	JST Mfg. Co., Ltd.	BHR-03VS-1

### Terminal Numbers And Functions

#### Input side CN1

Terminal number	Symbol	Rated voltage	Remarks
CN1-1	Vin	9.0 to 19.0V	Power input
CN1-2			
CN1-3	GND	0V	Ground
CN1-4			
CN1-5	Vrmt	0V/2.5V to Vin	Remote terminal 0 to 0.4V : OFF 2.5 to Vin : ON
CN1-6	Vbr1/Rbr1	0 to 25V/0 to 50kΩ	Dimmer terminal1
CN1-7	Vbr2/Rbr2	GND/0 to 50kΩ	Dimmer terminal2
CN1-8	Vst (Output)	0V/5V	Alarm output Lump open : 5V

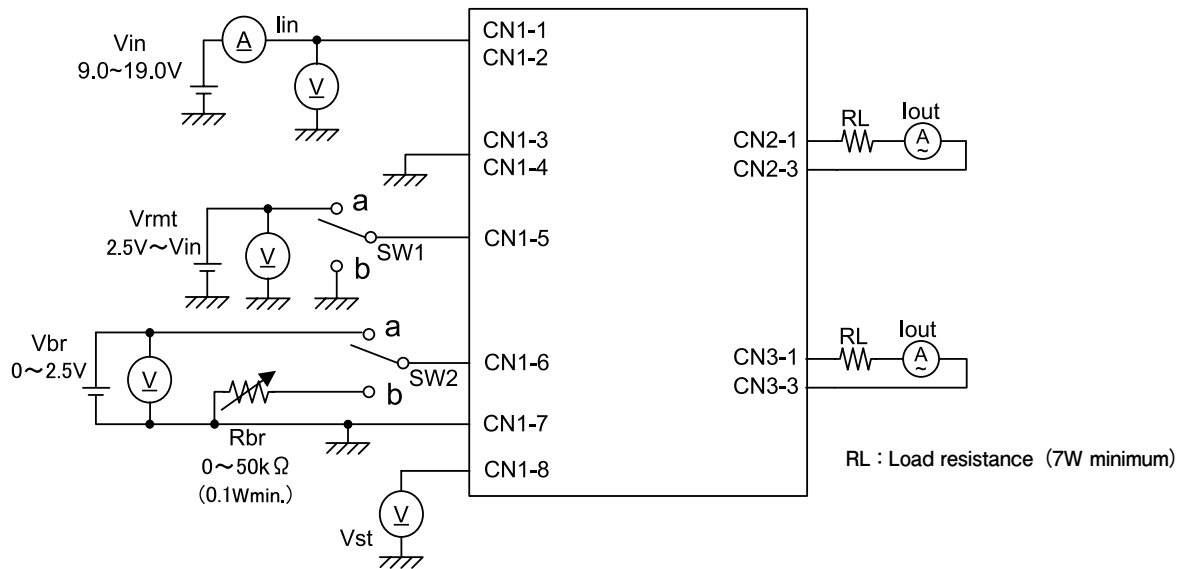
#### Output side CN2

Terminal number	Symbol	Rated voltage	Remarks
CN2-1	V <sub>HIGH1</sub>	400Vrms	Output 1
CN2-2	—	N.C.	—
CN2-3	V <sub>LOW1</sub>	(2V)	Output 1 return

#### Output side CN3

Terminal number	Symbol	Rated voltage	Remarks
CN3-1	V <sub>HIGH2</sub>	400Vrms	Output 2
CN3-2	—	N.C.	—
CN3-3	V <sub>LOW2</sub>	(2V)	Output 2 return

## Connections



Operate as follows by switching SW1.

SW1	Unit operation
a	Operation
b	Does not operate
OPEN	Does not operate

Operate as follows by switching SW2.

SW2	Unit operation
a	Voltage dimmer Vbr=0 to 2.5V
b	Volume dimmer VR=0 to 50kΩ

※ Vbr=0V:Maximum brightness  
 Rbr=0Ω:Maximum brightness

Protection circuit operation

Load condition	※ Alarm output (CN1-8)
Normal condition	0.5V max.
When 1 load (lamp) is run-out	5±0.5V
When 2 loads (lamps) are run-out	5±0.5V

※ When more than one of RL1-RL2 was opened, output alarm signal of 5V.