

## Excellent Integrated System Limited

Stocking Distributor

Click to view price, real time Inventory, Delivery & Lifecycle Information:

[TDK Corporation](#)  
[CXA-L0612A-VJL](#)

For any questions, you can email us directly:

[sales@integrated-circuit.com](mailto:sales@integrated-circuit.com)

# CXA-L0612A-VJL

## Dimming/Connector Type

### ■ Features

- 1 output
- Applicable panel size\*: 3 to 15 inches
- With brightness control function (A current system).
- In the high-voltage generator(a terminal and a pattern), an anti-dust measure by silicone application is taken.  
(Notice) Applicable panel size becomes a standard.

### ■ Applications



## CXA-L0612A-VJL Specifications (Please refer to each specification before use)

### Electrical Characteristics

Item	Unit	Symbol	Specification			Condition					Remark
			min	typ	max	Vin(V)	Vrmt(V)	Vbr(V)	Ta(°C)	RL(kΩ)	
Output Current	mA	Iout (Maximum dimmer)	5.4	6.0	6.6	12±2.4	5	0	23±5	100	(*1)
			5.3	6.0	6.7	12±2.4	5	0	0 to +70	90 to 130	(*1)
		Iout (Minimum dimmer)	1.3	1.6	1.9	12±2.4	5	4	23±5	520	(*1)
Input Current	A	Iin	-	0.40	0.65	12	5	0	0 to +70	90 to 130	
Frequency	kHz	Freq	48	58	68	12±2.4	5	0	0 to +70	90 to 130	
Open Circuit Voltage	Vrms	Vopen	1500	1800	-	9.6min.	5	0 to 3	0 to +70	∞	Open load

(\*1) Please refer to the connection diagram for details of a dimming method.

### Other Specifications

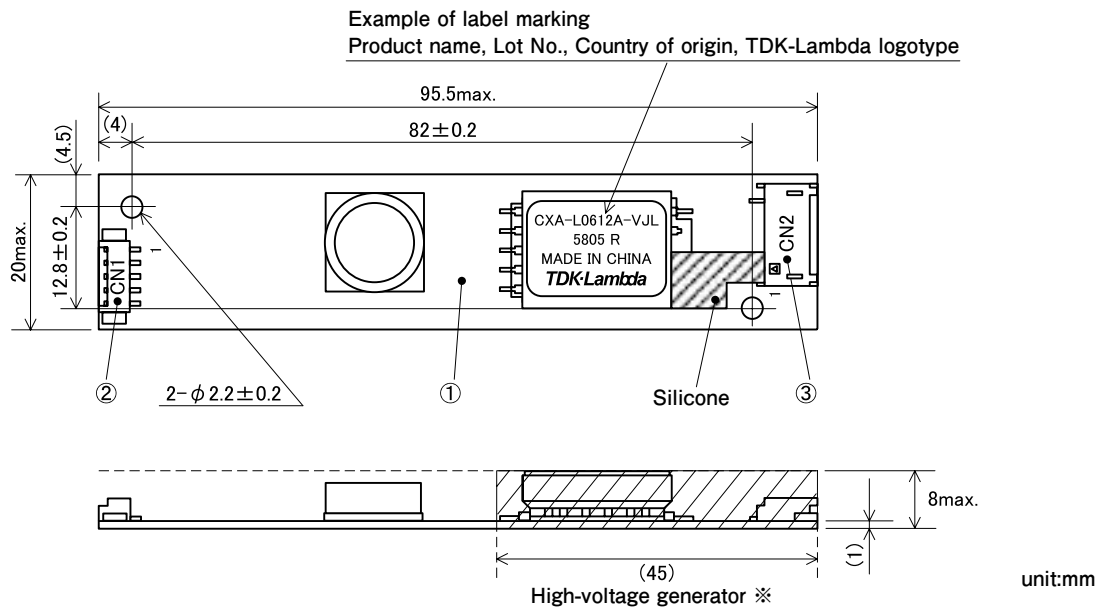
Dimming Function		Yes
Operating Temperature	°C	0 to +70
Storage Temperature	°C	-30 to +85
Operating Humidity Ratio	RH%	95Max
Safety Standard		-
Weight	g	14
Dimensions(WxDxH)	mm	95.5x20x8 (*2)
Fused Input		Yes
Remote ON / OFF		Yes
Alarm Signal Function		No
Shutdown Function		No
Silicone Coating on High Voltage Area		Yes

(\*2) These dimensions are indicated the maximum.

### ■ Conformity to RoHS Directive

This means that, in conformity with EU Directive 2002/95/EC, lead, cadmium, mercury, hexavalent chromium, and specific bromine-based flame retardants, PBB and PBDE, have not been used, except for exempted applications.

## Outline Drawing



(The entire surface within a range of 45mm away from the end of the basein)

※From high-voltage generator, please secure space distance more than 3mm in top and bottom right and left.

### Connector

Connector number	Part number	Model	Quantity	Remarks	Recommended applicable connector
①	Printed circuit board PCB	Composite (CEM-3)	1	UL94V-0 t=1.0	—
②	Input connector CN1	53261-0571	1	Molex Inc.	51021-0500
③	Output connector CN2	SM02 (8.0) B-BHS-1-TB (LF) (SN)	1	JST Mfg. Co., Ltd.	BHR-03VS-1

### Terminal Numbers And Functions

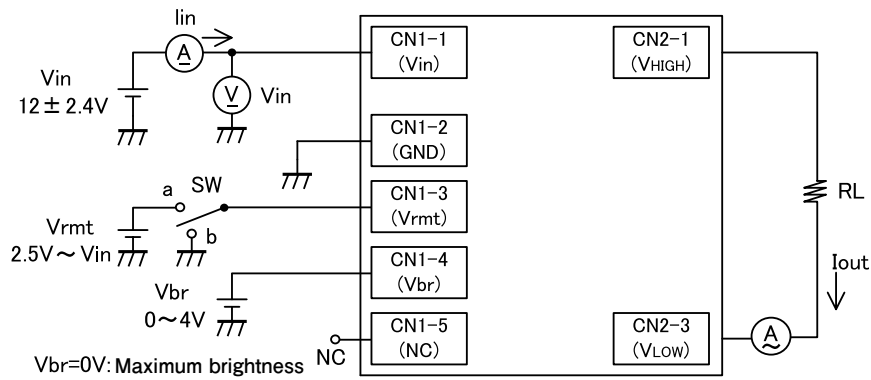
#### Input side CN1

Terminal number	Symbol	Rated voltage	Remarks
CN1-1	V <sub>in</sub>	12±2.4V	Power input
CN1-2	GND	0V	Ground
CN1-3	V <sub>rmt</sub>	0V/2.5V to V <sub>in</sub>	Remote terminal 0 to 0.4V : OFF 2.5V to V <sub>in</sub> : ON
CN1-4	V <sub>br</sub>	0 to 4V	Dimmer terminal
CN1-5	N.C.	—	Because it uses for internal circuit, please do not connected.

#### Output side CN2

Terminal number	Symbol	Rated voltage
CN2-1	V <sub>HIGH</sub>	600Vrms
CN2-2	N.C.	—
CN2-3	V <sub>LOW</sub>	(2V)

**Connections**



RL : Load resistance (7W minimum)

Operate as follows by switching a SW.

SW	Unit operation
a	Operation
b	Operation stopped