

Excellent Integrated System Limited

Stocking Distributor

Click to view price, real time Inventory, Delivery & Lifecycle Information:

[Texas Instruments](#)
[ADS1224IPWT](#)

For any questions, you can email us directly:

sales@integrated-circuit.com



24-Bit Analog-to-Digital Converter with 4-Channel Differential Input Multiplexer

FEATURES

- 240SPS Data Rate with 4MHz Clock
- 20-Bit Effective Resolution
- Input Multiplexer with Four Differential Channels
- Pin-Selectable, High-Impedance Input Buffer
- $\pm 5V$ Differential Input Range
- 0.0003% INL (typ), 0.0015% INL (max)
- Self-Calibrating
- Simple 2-Wire Serial Interface
- On-Chip Temperature Sensor
- Single Conversions with Standby Mode
- Low Current Consumption: 300 μA
- Analog Supply: 2.7V to 5.5V
- Digital Supply: 2.7V to 5.5V

APPLICATIONS

- Hand-Held Instrumentation
- Portable Medical Equipment
- Industrial Process Control
- Weigh Scales

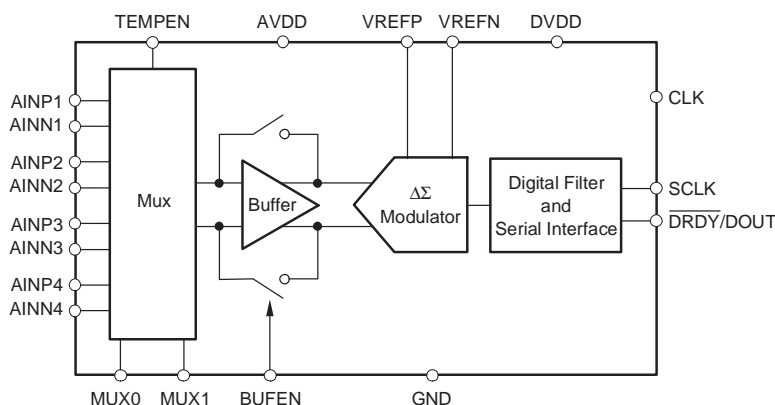
DESCRIPTION

The ADS1224 is a 4-channel, 24-bit, delta-sigma analog-to-digital (A/D) converter. It offers excellent performance and low power in a TSSOP-20 package. The ADS1224 is well-suited for demanding, high-resolution measurements, especially in portable systems and other space-saving and power-constrained applications.

A delta-sigma ($\Delta\Sigma$) modulator and digital filter form the basis of the A/D converter. The analog modulator has a $\pm 5V$ differential input range. An input multiplexer (MUX) is used to select between four separate differential input channels. A buffer can be selected to increase the input impedance of the measurement.

A simple, 2-wire serial interface provides all the necessary control. Data retrieval, self-calibration, and Standby mode are handled with a few simple waveforms. When only single conversions are needed, the ADS1224 can be quickly shut down (Standby mode) while idle between measurements to dramatically reduce the overall power consumption. Multiple ADS1224s can be connected together to create a synchronously sampling multichannel measurement system. The ADS1224 is designed to easily connect to microcontrollers, such as the MSP430.

The ADS1224 supports 2.7V to 5.5V analog supplies and 2.7V to 5.5V digital supplies. Power is typically less than 1mW in 3V operation and less than 1 μW during Standby mode.



Please be aware that an important notice concerning availability, standard warranty, and use in critical applications of Texas Instruments semiconductor products and disclaimers thereto appears at the end of this data sheet.

All trademarks are the property of their respective owners.

ORDERING INFORMATION(1)

| PRODUCT | PACKAGE-LEAD | PACKAGE DESIGNATOR | SPECIFIED TEMPERATURE RANGE | PACKAGE MARKING | ORDERING NUMBER | TRANSPORT MEDIA, QUANTITY |
|---------|--------------|--------------------|-----------------------------|-----------------|-----------------|---------------------------|
| ADS1224 | TSSOP-20 | PW | -40°C to +85°C | ADS1224 | ADS1224IPWT | Tape and Reel, 250 |
| | | | | | ADS1224IPWR | Tape and Reel, 2500 |

(1) For the most current specification and package information, refer to our web site at www.ti.com.

ABSOLUTE MAXIMUM RATINGS

over operating free-air temperature range unless otherwise noted(1)

| | ADS1224 | UNIT |
|-----------------------------------|--------------------|------|
| AVDD to GND | -0.3 to +6 | V |
| DVDD to GND | -0.3 to +6 | V |
| Input current | 100, momentary | mA |
| | 10, continuous | mA |
| Analog input voltage to GND | -0.3 to AVDD + 0.3 | V |
| Digital input voltage to GND | -0.3 to DVDD + 0.3 | V |
| Maximum Junction Temperature | +150 | °C |
| Operating Temperature Range | -55 to +125 | °C |
| Storage Temperature Range | -60 to +150 | °C |
| Lead Temperature (soldering, 10s) | +300 | °C |

(1) Stresses above these ratings may cause permanent damage.

Exposure to absolute maximum conditions for extended periods may degrade device reliability. These are stress ratings only, and functional operation of the device at these or any other conditions beyond those specified is not implied.



This integrated circuit can be damaged by ESD. Texas Instruments recommends that all integrated circuits be handled with appropriate precautions. Failure to observe proper handling and installation procedures can cause damage.

ESD damage can range from subtle performance degradation to complete device failure. Precision integrated circuits may be more susceptible to damage because very small parametric changes could cause the device not to meet its published specifications.

ELECTRICAL CHARACTERISTICS

All specifications at $T_A = -40^{\circ}\text{C}$ to $+85^{\circ}\text{C}$, $AVDD = +5\text{V}$, $DVDD = +5\text{V}$, $f_{\text{CLK}} = 2\text{MHz}$, and $V_{\text{REF}} = +2.5\text{V}$, unless otherwise noted.

| PARAMETER | TEST CONDITIONS | MIN | TYP | MAX | UNIT |
|--------------------------------|--|--------------------------------------|-----|-------------------------|--------------------------------|
| Analog Input | | | | | |
| Full-scale input voltage | AINP – AINN | $\pm 2V_{\text{REF}}$ | | | V |
| Absolute input voltage | Buffer off; AINP, AINN with respect to GND | GND – 0.1 | | AVDD + 0.1 | V |
| | Buffer on; AINP, AINN with respect to GND | GND + 0.05 | | AVDD – 1.5 | V |
| Differential input impedance | Buffer off; $f_{\text{CLK}} = 2\text{MHz}$ | 2.7 | | | M Ω |
| | Buffer on; $f_{\text{CLK}} = 2\text{MHz}$ | 1.2 | | | G Ω |
| Common-mode input impedance | Buffer off; $f_{\text{CLK}} = 2\text{MHz}$ | 5.4 | | | M Ω |
| System Performance | | | | | |
| Resolution | No missing codes | 24 | | | Bits |
| Data rate | | 120 ($f_{\text{CLK}}/2\text{MHz}$) | | | SPS ⁽¹⁾ |
| Integral nonlinearity (INL) | Buffer off, Differential input signal, end point fit | 0.0003 | | 0.0015 | % of FSR ⁽²⁾ |
| | Buffer on, Differential input signal, end point fit | 0.0006 | | | % of FSR |
| Offset error | Buffer off | 20 | | 100 | μV |
| | Buffer on | 20 | | | μV |
| Offset error drift | Buffer off | 0.2 | | | $\mu\text{V}/^{\circ}\text{C}$ |
| | Buffer on | 0.2 | | | $\mu\text{V}/^{\circ}\text{C}$ |
| Offset error match | Between channels | 20 | | 100 | μV |
| Gain error | Buffer off | 0.004 | | 0.025 | % |
| | Buffer on | 0.008 | | | % |
| Gain error drift | Buffer off | 0.00003 | | | % of FSR/ $^{\circ}\text{C}$ |
| | Buffer on | 0.00006 | | | % of FSR/ $^{\circ}\text{C}$ |
| Gain error match | Between channels | 0.0005 | | | % |
| Common-mode rejection | Buffer off, at DC | 90 | | 110 | dB |
| | Buffer on, at DC | 90 | | 110 | dB |
| Analog power-supply rejection | Buffer off, at DC, $\pm 10\%$ Δ in AVDD | 95 | | | dB |
| | Buffer on, at DC, $\pm 10\%$ Δ in AVDD | 95 | | | dB |
| Digital power-supply rejection | Buffer off, at DC, DVDD = 2.7V to 5.5V | 85 | | | dB |
| | Buffer on, at DC, DVDD = 2.7V to 5.5V | 85 | | | dB |
| Noise | | 0.8 | | | ppm of FSR, rms |
| Temperature Sensor | | | | | |
| Temperature sensor voltage | $T_A = 25^{\circ}\text{C}$ | 106 | | | mV |
| Temperature sensor coefficient | | 360 | | | $\mu\text{V}/^{\circ}\text{C}$ |
| Voltage Reference Input | | | | | |
| Reference input voltage | $V_{\text{REF}} = V_{\text{REFP}} - V_{\text{REFN}}$ | 0.5 | 2.5 | AVDD ⁽³⁾ | V |
| Negative reference input | Buffer off | GND – 0.1 | | $V_{\text{REFP}} - 0.5$ | V |
| Positive reference input | Buffer off | $V_{\text{REFN}} + 0.5$ | | AVDD + 0.1 | V |
| Negative reference input | Buffer on | GND + 0.05 | | $V_{\text{REFP}} - 0.5$ | V |
| Positive reference input | Buffer on | $V_{\text{REFN}} + 0.5$ | | AVDD – 1.5 | V |
| Voltage reference impedance | $f_{\text{CLK}} = 2\text{MHz}$ | 500 | | | k Ω |

(1) SPS = samples per second.

(2) FSR = full-scale range = $4V_{\text{REF}}$.

(3) It will not be possible to reach the digital output full-scale code when $V_{\text{REF}} > AVDD/2$.

ELECTRICAL CHARACTERISTICS (continued)

All specifications at $T_A = -40^\circ\text{C}$ to $+85^\circ\text{C}$, $AVDD = +5\text{V}$, $DVDD = +5\text{V}$, $f_{\text{CLK}} = 2\text{MHz}$, and $V_{\text{REF}} = +2.5\text{V}$, unless otherwise noted.

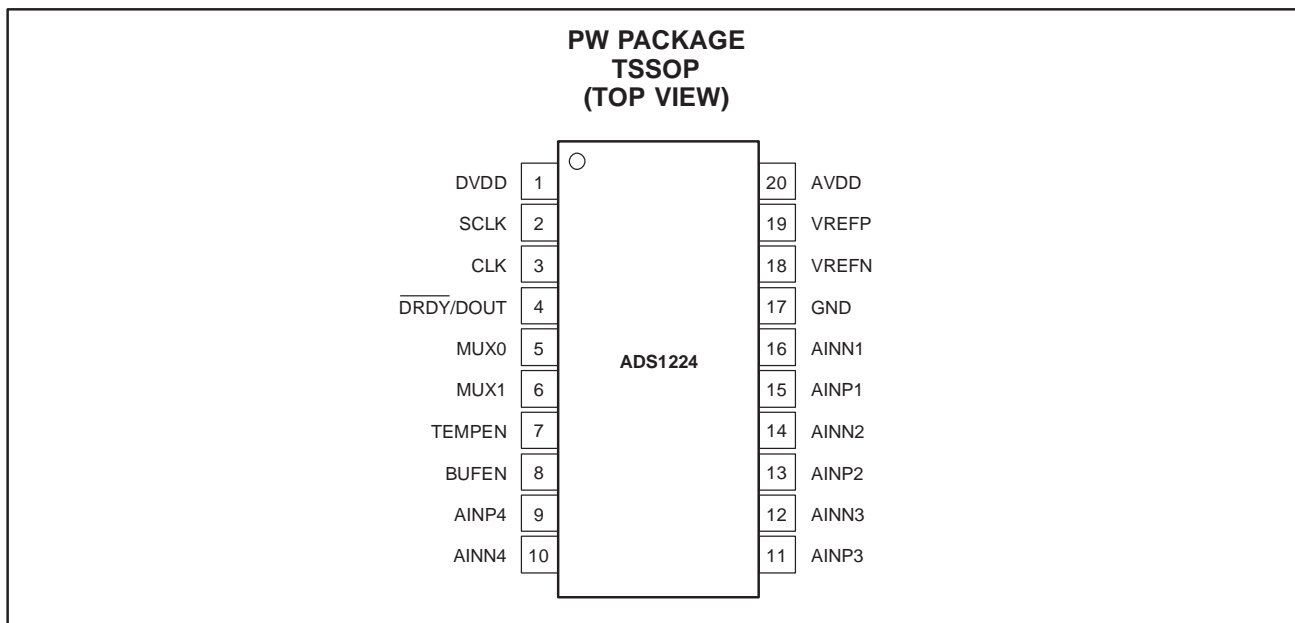
| PARAMETER | | TEST CONDITIONS | MIN | TYP | MAX | UNIT |
|------------------------------------|------------------------------------|------------------------------|-----------|-----|------------|------------------|
| Digital Input/Output | | | | | | |
| Logic levels | V_{IH} | | 0.8 DVDD | | DVDD + 0.1 | V |
| | V_{IL} | | GND – 0.1 | | 0.2 DVDD | V |
| | V_{OH} | $I_{\text{OH}} = 1\text{mA}$ | 0.8 DVDD | | | V |
| | V_{OL} | $I_{\text{OL}} = 1\text{mA}$ | | | 0.2 DVDD | V |
| Input leakage | | | | | ± 10 | μA |
| CLK frequency (f_{CLK}) | | | | | 8 | MHz |
| CLK duty cycle | | | 30 | | 70 | % |
| Power Supply | | | | | | |
| AVDD | | | 2.7 | | 5.5 | V |
| DVDD | | | 2.7 | | 5.5 | V |
| AVDD current | Standby mode | | | < 1 | | μA |
| | AVDD = 5V, normal mode, buffer off | | | 285 | | μA |
| | AVDD = 5V, normal mode, buffer on | | | 405 | | μA |
| | AVDD = 3V, normal mode, buffer off | | | 265 | | μA |
| | AVDD = 3V, normal mode, buffer on | | | 385 | | μA |
| DVDD current | Standby mode | | | < 1 | | μA |
| | DVDD = 5V, normal mode | | | 20 | | μA |
| | DVDD = 3V, normal mode | | | 10 | | μA |
| Total power dissipation | AVDD = DVDD = 5V, buffer off | | | 1.5 | 2.25 | mW |
| | AVDD = DVDD = 3V, buffer off | | | 0.8 | | mW |
| Temperature Range | | | | | | |
| Specified | | | -40 | | +85 | $^\circ\text{C}$ |
| Operating | | | -55 | | +125 | $^\circ\text{C}$ |
| Storage | | | -60 | | +150 | $^\circ\text{C}$ |

(1) SPS = samples per second.

(2) FSR = full-scale range = $4V_{\text{REF}}$.

(3) It will not be possible to reach the digital output full-scale code when $V_{\text{REF}} > AVDD/2$.

PIN ASSIGNMENTS



Terminal Functions

| TERMINAL NAME | NO. | I/O | DESCRIPTION |
|---------------|-----|----------------|---|
| DVDD | 1 | Digital | Digital power supply |
| SCLK | 2 | Digital input | Serial clock input |
| CLK | 3 | Digital input | System clock input |
| DRDY/DOUT | 4 | Digital Output | Dual-purpose output: Data Ready: indicates valid data by going low. Data Output: outputs data, MSB first, on the rising edge of SCLK. |
| MUX0 | 5 | Digital input | Selects analog input of mux, bit 0 |
| MUX1 | 6 | Digital input | Selects analog input of mux, bit 1 |
| TEMPEN | 7 | Digital input | Selects temperature sensor input from mux |
| BUFEN | 8 | Digital input | Enables input buffer |
| AINP4 | 9 | Analog input | Analog channel 4 positive input |
| AINN4 | 10 | Analog input | Analog channel 4 negative input |
| AINP3 | 11 | Analog input | Analog channel 3 positive input |
| AINN3 | 12 | Analog input | Analog channel 3 negative input |
| AINP2 | 13 | Analog input | Analog channel 2 positive input |
| AINN2 | 14 | Analog input | Analog channel 2 negative input |
| AINP1 | 15 | Analog input | Analog channel 1 positive input |
| AINN1 | 16 | Analog input | Analog channel 1 negative input |
| GND | 17 | Analog/Digital | Analog and digital ground |
| VREFN | 18 | Analog input | Negative reference input |
| VREFP | 19 | Analog input | Positive reference input |
| AVDD | 20 | Analog | Analog power supply |

SBAS286C – JUNE 2003 – REVISED JANUARY 2009

TYPICAL CHARACTERISTICS

At $T_A = -40^{\circ}\text{C}$ to $+85^{\circ}\text{C}$, $\text{AVDD} = +5\text{V}$, $\text{DVDD} = +5\text{V}$, $f_{\text{CLK}} = 2\text{MHz}$, and $V_{\text{REF}} = +2.5\text{V}$, unless otherwise noted.

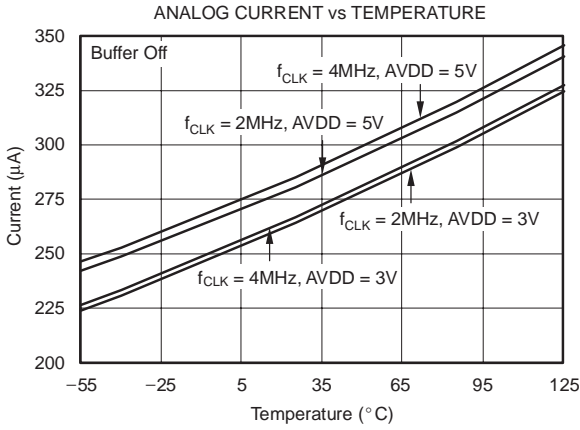


Figure 1

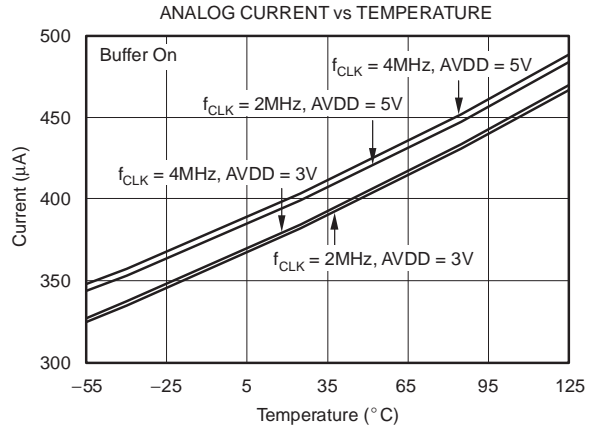


Figure 2

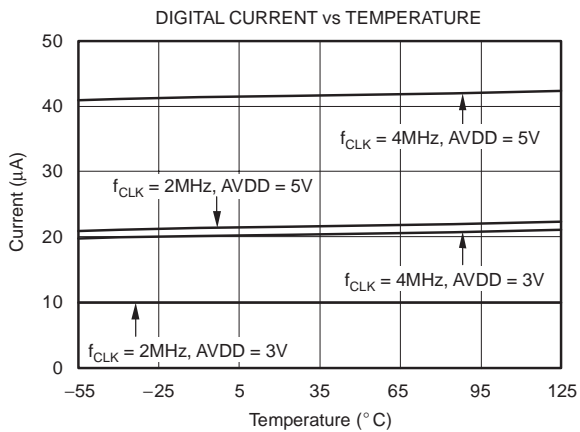


Figure 3

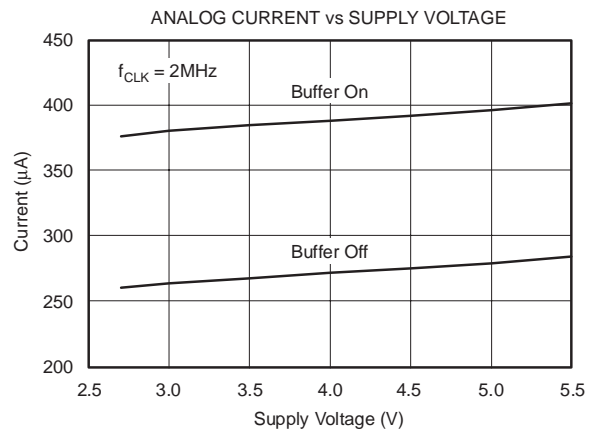


Figure 4

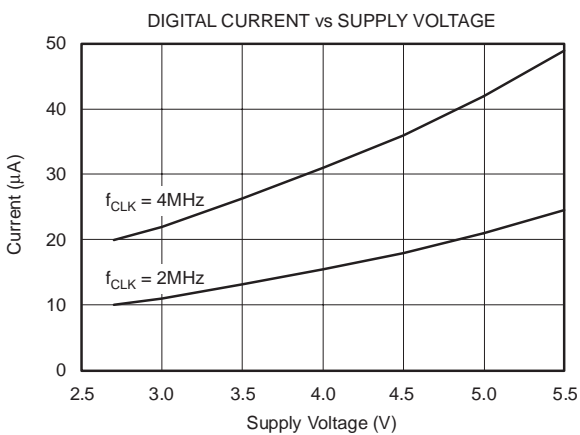


Figure 5

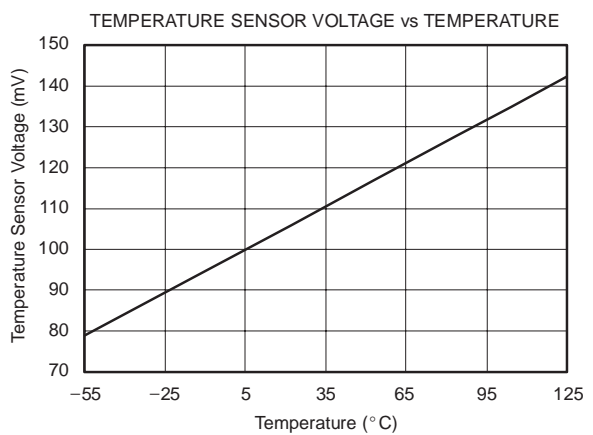


Figure 6

TYPICAL CHARACTERISTICS (CONTINUED)

At $T_A = -40^\circ\text{C}$ to $+85^\circ\text{C}$, $AV_{DD} = +5\text{V}$, $DV_{DD} = +5\text{V}$, $f_{CLK} = 2\text{MHz}$, and $V_{REF} = +2.5\text{V}$, unless otherwise noted.

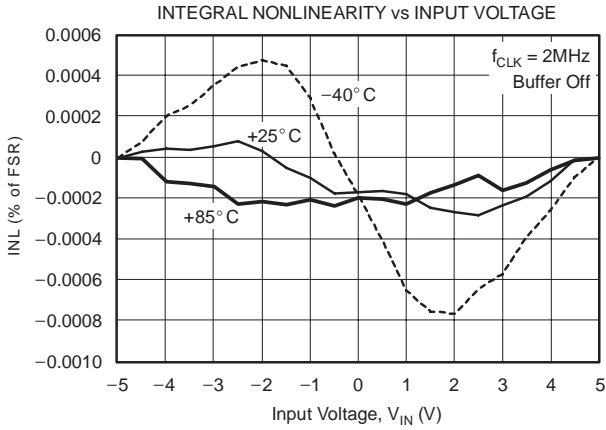


Figure 7

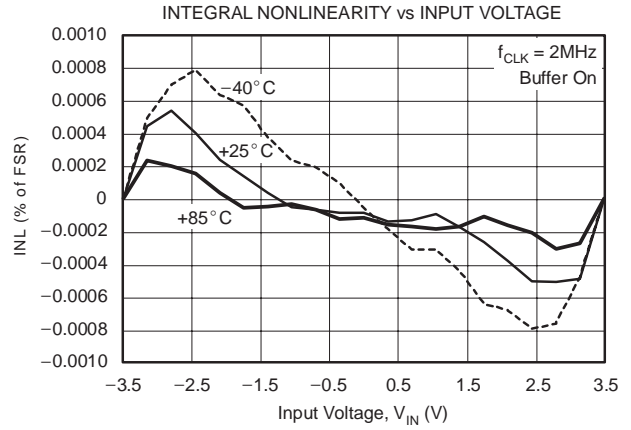


Figure 8

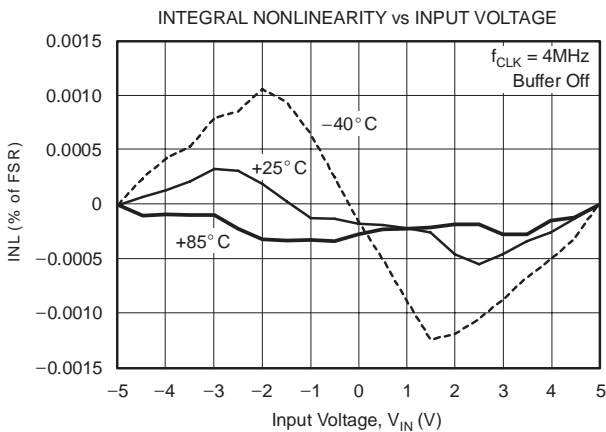


Figure 9

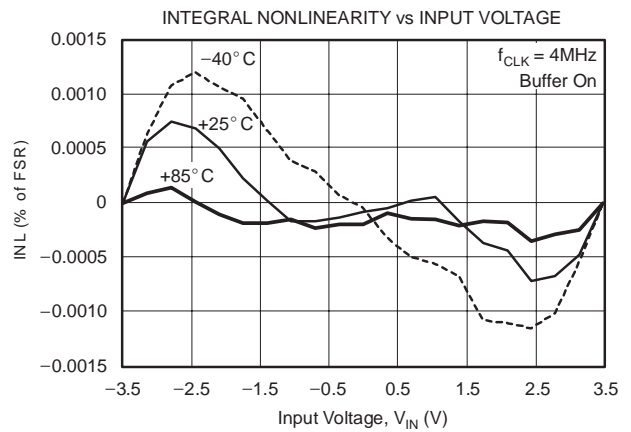


Figure 10

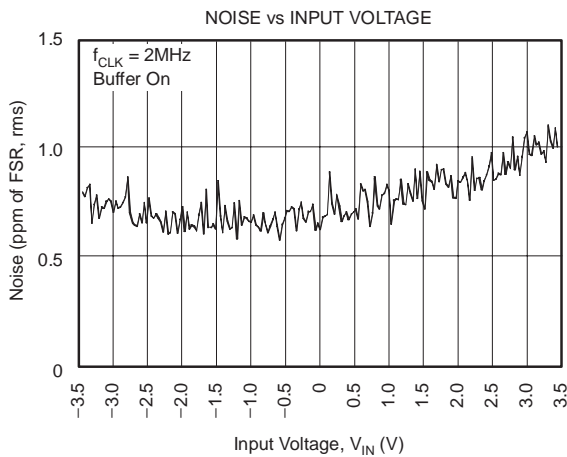


Figure 11

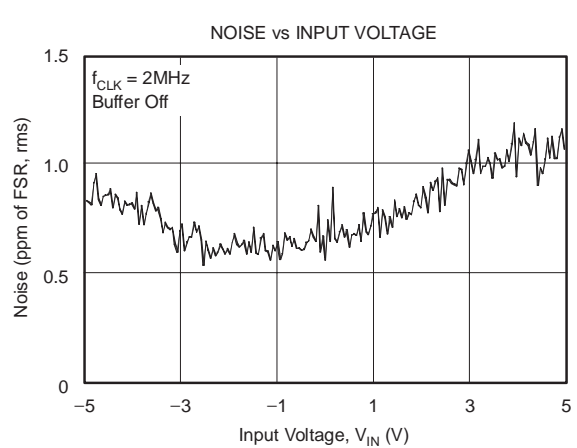


Figure 12

OVERVIEW

The ADS1224 is an A/D converter comprised of a delta-sigma modulator followed by a digital filter. A mux allows for one of four input channels to be selected. A buffer can also be selected to increase the input impedance. The modulator measures the differential input signal $V_{IN} = (AINP - AINN)$ against the differential reference $V_{REF} = (VREFP - VREFN)$. Figure 13 shows a conceptual diagram of the device. The differential reference is scaled internally so that the full-scale input range is $\pm 2V_{REF}$. The digital filter receives the modulator signal and provides a low-noise digital output. A 2-wire serial interface indicates conversion completion and provides the user with the output data.

as shown in Table 1. The ADS1224 accepts differential input signals, but can also measure unipolar signals. When measuring unipolar (or single-ended signals) with respect to ground, connect the negative input (AINNx) to ground and connect the input signal to the positive input (AINPx). Note that when the ADS1224 is configured this way, only half of the converter full-scale range is used since only positive digital output codes are produced. An input buffer can be selected to increase the input impedance of the A/D converter with the BUFEN pin.

Table 1. Input Channel selection with MUX0 and MUX1

| DIGITAL PINS | | SELECTED ANALOG INPUTS | |
|--------------|------|------------------------|----------------|
| MUX1 | MUX0 | POSITIVE INPUT | NEGATIVE INPUT |
| 0 | 0 | AINP1 | AINN1 |
| 0 | 1 | AINP2 | AINN2 |
| 1 | 0 | AINP3 | AINN3 |
| 1 | 1 | AINP4 | AINN4 |

ANALOG INPUTS (AINPx, AINNx)

The input signal to be measured is applied to the input pins AINPx and AINNx. The positive internal input is generalized as AINP, and the negative internal input is generalized as AINN. The signal is selected though the input mux, which is controlled by pins MUX0 and MUX1,

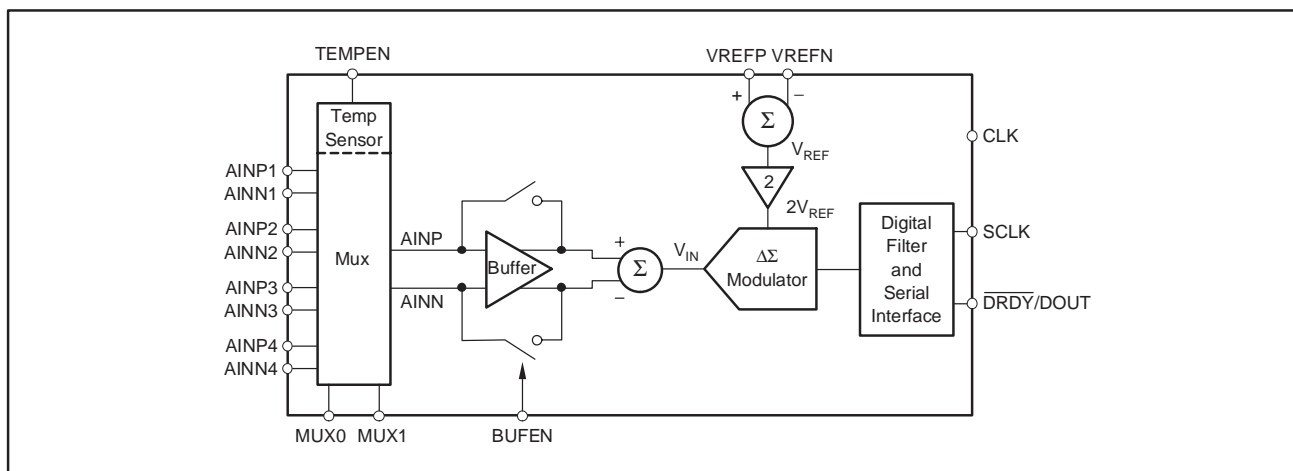


Figure 13. Conceptual Diagram of the ADS1224

Analog Input Measurement without the Input Buffer

With the buffer disabled by setting the BUFEN pin low, the ADS1224 measures the input signal using internal capacitors that are continuously charged and discharged. Figure 14 shows a simplified schematic of the ADS1224 input circuitry, with Figure 15 showing the on/off timings of the switches. The S₁ switches close during the input sampling phase. With S₁ closed, C_{A1} charges to AINP, C_{A2} charges to AINN, and C_B charges to (AINP – AINN). For the discharge phase, S₁ opens first and then S₂ closes. C_{A1} and C_{A2} discharge to approximately AVDD/2 and C_B discharges to 0V. This two-phase sample/discharge cycle repeats with a frequency of f_{CLK}/32 (62.5kHz for f_{CLK} = 2MHz).

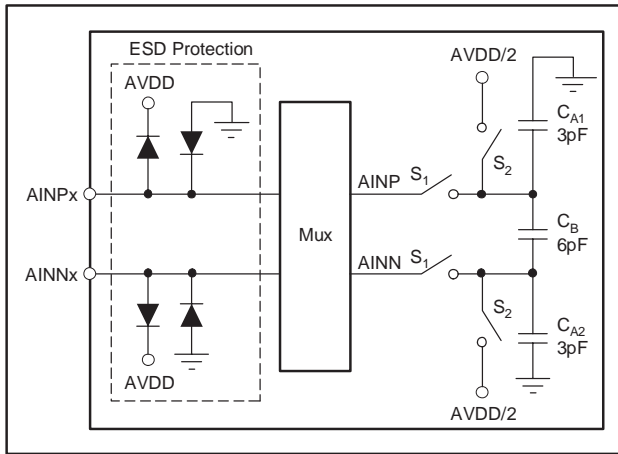


Figure 14. Simplified Input Structure with the Buffer Turned Off

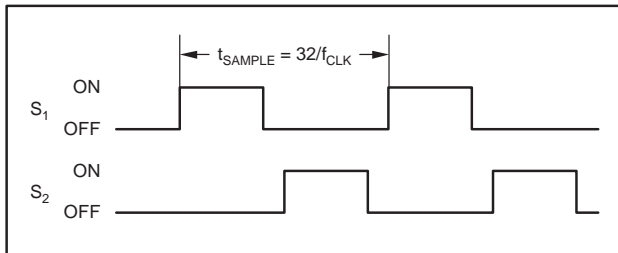


Figure 15. S₁ and S₂ Switch Timing for Figure 14

The constant charging of the input capacitors presents a load on the inputs that can be represented by effective impedances. Figure 16 shows the input circuitry with the capacitors and switches of Figure 14 replaced by their effective impedances. These impedances scale inversely with f_{CLK} frequency. For example, if f_{CLK} frequency is reduced by a factor of 2, the impedances will double.

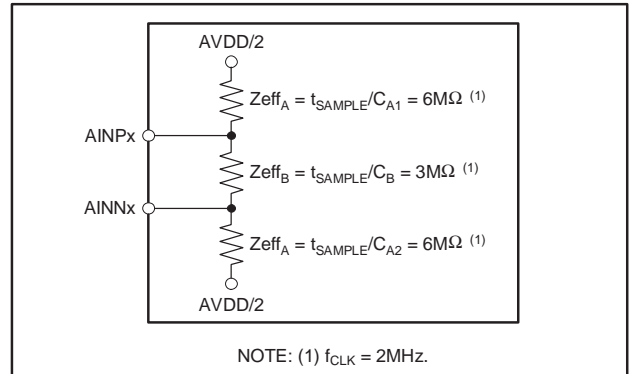


Figure 16. Effective Analog Input Impedances with the Buffer Off

ESD diodes protect the inputs. To keep these diodes from turning on, make sure the voltages on the input pins do not go below GND by more than 100mV, and likewise do not exceed AVDD by 100mV:

$$GND - 100mV < (AINP, AINN) < AVDD + 100mV$$

Analog Input Measurement with the Input Buffer
 When the buffer is enabled by setting the BUFEN pin high, a low-drift, chopper-stabilized input buffer is used to achieve very high input impedance. The buffer charges the input sampling capacitors, thus removing the load from the measurement. Because the input buffer is chopper-stabilized, the charging of parasitic capacitances causes the charge to be carried away, as if by resistance. The input impedance can be modeled by a single resistor, as shown in Figure 17. The impedance scales inversely with f_{CLK} frequency, as in the nonbuffered case. Note that during standby mode, the buffer must be disabled to prevent loading of the inputs.

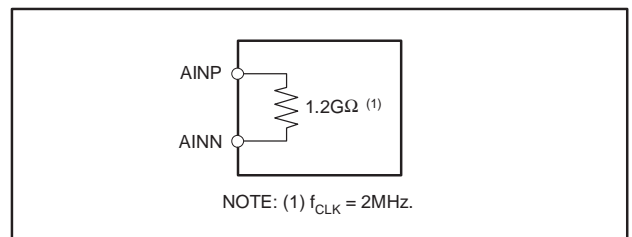


Figure 17. Effective Analog Input Impedances with the Buffer On

Note also that the analog inputs (listed in the Electrical Characteristics table as *Absolute Input Range*) must remain between GND + 0.05V to AVDD – 1.5V. Exceeding this range degrades linearity and results in performance outside the specified limits.

SBAS286C – JUNE 2003 – REVISED JANUARY 2009

TEMPERATURE SENSOR

On-chip diodes provide temperature-sensing capability. By setting the TEMPEN pin high, the selected analog inputs are disconnected and the inputs to the A/D converter are connected to the anodes of two diodes scaled to 1x and 64x in current and size inside the mux, as shown in Figure 18. By measuring the difference in voltage of these diodes, temperature changes can be inferred from a baseline temperature. Typically, the difference in diode voltages is 106mV at 25°C, with a temperature coefficient of 360μV/°C. A similar structure is used in the MSC1210 for temperature measurement. For more information, see TI application report SBAA100, *Using the MSC121x as a High-Precision Intelligent Temperature Sensor*, available for download at www.ti.com.

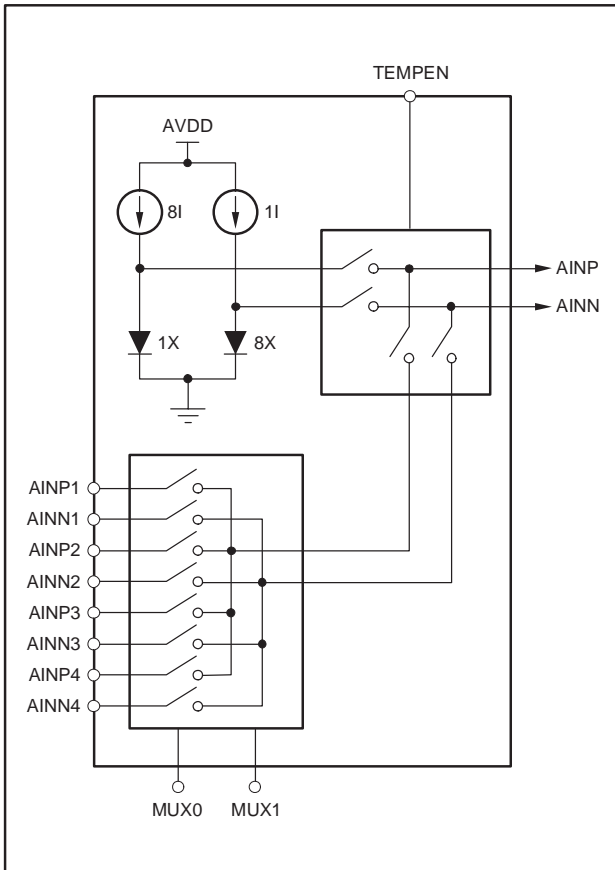


Figure 18. Measurement of the Temperature Sensor in the Input Multiplexer

VOLTAGE REFERENCE INPUTS (VREFP, VREFN)

The voltage reference used by the modulator is generated from the voltage difference between VREFP and VREFN: $V_{REF} = V_{REFP} - V_{REFN}$. The reference inputs use a structure similar to that of the analog inputs. A simplified diagram of the circuitry on the reference inputs is shown in Figure 19. The switches and capacitors can be modeled with an effective impedance of:

$$\left(\frac{t_{\text{sample}}}{2}\right) / 16\text{pF} = 500\text{k}\Omega$$

where $f_{\text{CLK}} = 2\text{MHz}$.

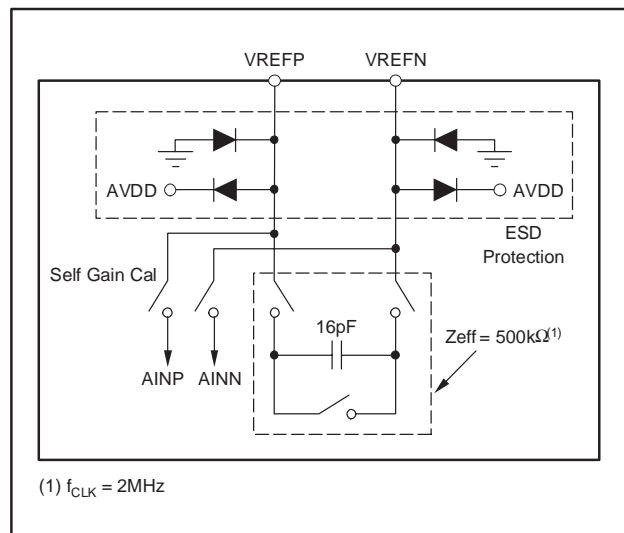


Figure 19. Simplified Reference input Circuitry

ESD diodes protect the reference inputs. To prevent these diodes from turning on, make sure the voltages on the reference pins do not go below GND by more than 100mV, and likewise, do not exceed AVDD by 100mV:

$$\text{GND} - 100\text{mV} < (V_{\text{REFP}}, V_{\text{REFN}}) < \text{AVDD} + 100\text{mV}$$

During self gain calibration, all the switches in the input multiplexer are opened, VREFN is internally connected to AINN, and VREFP is connected to AINP. The input buffer may be disabled or enabled during calibration. When the buffer is disabled, the reference pins will be driving the circuitry shown in Figure 9 during self gain calibration, resulting in increased loading. To prevent this additional loading from introducing gain errors, make sure the circuitry driving the reference pins has adequate drive capability. When the buffer is enabled, the loading on the reference pins will be much less, but the buffer will limit the

allowable voltage range on VREFP and VREFN during self or self gain calibration as the reference pins must remain within the specified input range of the buffer in order to establish proper gain calibration.

For best performance, V_{REF} should be $AVDD/2$, but it can be raised as high as $AVDD$. When V_{REF} exceeds $AVDD/2$, it is not possible to reach the full-scale digital output value corresponding to $\pm 2V_{REF}$ since this requires the analog inputs to exceed the power supplies. For example, if $V_{REF} = AVDD = 5V$, the positive full-scale signal is 10V. The maximum positive input signal that can be supplied before the ESD diodes turn on is when $A_{INP} = 5.1V$ and $A_{INN} = -0.1V$, resulting in $V_{IN} = 5.2V$. Therefore, it is not possible to reach the positive (or negative) full-scale readings in this configuration. The digital output codes are limited to approximately one half of the entire range. For best performance, bypass the voltage reference inputs with a $0.1\mu F$ capacitor between VREFP and VREFN. Place the capacitor as close as possible to the pins.

CLOCK INPUT (CLK)

This digital input supplies the system clock to the ADS1224. The CLK frequency can be increased to speed up the data rate. CLK must be left running during normal operation. It may be turned off during Standby mode to save power, but this is not required. The CLK input may be driven with 5V logic, regardless of the DVDD or AVDD voltage.

Minimize the overshoot and undershoot on CLK for the best analog performance. A small resistor in series with CLK (10Ω to 100Ω) can often help. CLK can be generated from a number of sources including standalone crystal oscillators and microcontrollers.

DATA READY/DATA OUTPUT ($\overline{DRDY}/DOUT$)

This digital output pin serves two purposes. First, it indicates when new data is ready by going LOW. Afterwards, on the first rising edge of SCLK, the $\overline{DRDY}/DOUT$ pin changes function and begins outputting the conversion data, most significant bit (MSB) first. Data is shifted out on each subsequent SCLK rising edge. After all 24 bits have been retrieved,

the pin can be forced high with an additional SCLK. It will then stay high until new data is ready. This is useful when polling on the status of $\overline{DRDY}/DOUT$ to determine when to begin data retrieval.

SERIAL CLOCK INPUT (SCLK)

This digital input shifts serial data out with each rising edge. As with CLK, this input may be driven with 5V logic regardless of the DVDD or AVDD voltage. There is hysteresis built into this input, but care should still be taken to ensure a clean signal. Glitches or slow-rising signals can cause unwanted additional shifting. For this reason, it is best to make sure the rise-and-fall times of SCLK are less than 50ns.

FREQUENCY RESPONSE

The ADS1224 frequency response for $f_{CLK} = 2MHz$ is shown in Figure 20. The frequency response repeats at multiples of the modulator sampling frequency of 62.5kHz. The overall response is that of a low-pass filter with a $-3dB$ cutoff frequency of 31.5Hz. As shown, the ADS1224 does a good job attenuating out to 60kHz. For the best resolution, limit the input bandwidth to less than this value to keep higher frequency noise from affecting performance. Often, a simple RC filter on the ADS1224 analog inputs is all that is needed.

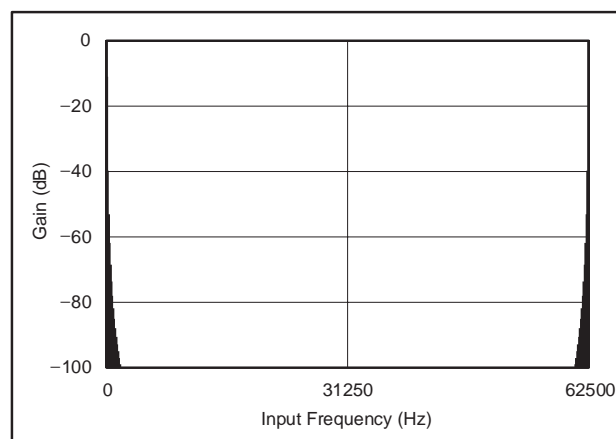


Figure 20. Frequency Response

SBAS286C – JUNE 2003 – REVISED JANUARY 2009

To help see the response at lower frequencies, Figure 21 illustrates the response out to 1kHz. Notice that signals at multiples of 120Hz are rejected. The ADS1224 data rate and frequency response scale directly with CLK frequency. For example, if f_{CLK} increases from 2MHz to 4MHz, the data rate increases from 120SPS to 240SPS, while the notches increase from 120Hz to 240Hz.

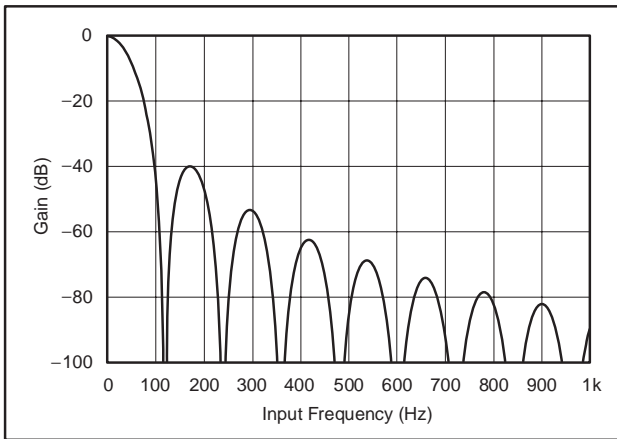


Figure 21. Frequency Response to 1kHz

Rejecting 50Hz or 60Hz noise is as simple as choosing the clock frequency. If simultaneous rejection of 50Hz and 60Hz noise is desired, $f_{CLK} = 910kHz$ can be chosen. The data rate becomes 54.7sps and the frequency response of the ADS1224 rejects the 50Hz and 60Hz noise to below 60dB. The frequency response of the ADS1224 near 50Hz and 60Hz with $f_{CLK} = 910kHz$ is shown in Figure 22.

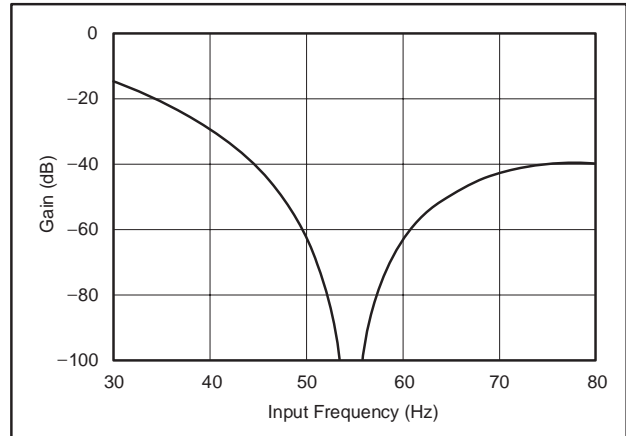


Figure 22. Frequency Response Near 50Hz and 60Hz with $f_{CLK} = 910kHz$

SETTLING TIME

After changing the input multiplexer, selecting the input buffer, or using temperature sensor, the first data is fully settled. In the ADS1224, the digital filter is allowed to settle after toggling any of the MUX0, MUX1, BUFEN, or TEMPEN pins. Toggling of any of these digital pins will cause the input to switch to the proper channel, start conversions, and hold the $\overline{DRDY}/DOUT$ line high until the digital filter is fully settled. For example, if MUX0 changes from low to high, selecting a different input channel, $\overline{DRDY}/DOUT$ immediately goes high and the conversion process restarts. $\overline{DRDY}/DOUT$ goes low when fully settled data is ready for retrieval. There is no need to discard any data. Figure 23 shows the timing of the $\overline{DRDY}/DOUT$ line as the input multiplexer changes.

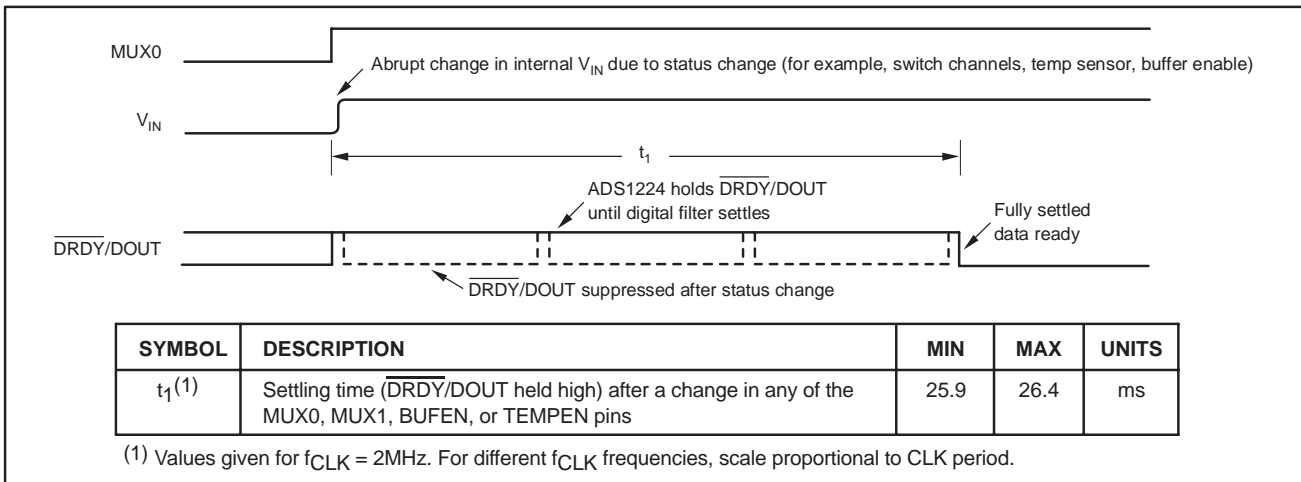


Figure 23. Example of Settling Time After Changing the Input Multiplexer

The ADS1224 uses a Sinc³ digital filter to improve noise performance. Therefore, in certain instances, large changes in input will require settling time. For example, an external multiplexer in front of the ADS1224 can put large changes in input voltage by simply switching input channels. Abrupt changes in the input will require three data cycles to settle. When continuously converting, four readings may be necessary to settle the data. If the change in input occurs in the middle of the first conversion, three more full conversions of the fully settled input will be required to get fully settled data. Discard the first three readings because they will contain only partially-settled data. Figure 24 illustrates the settling time for the ADS1224 in Continuous Conversion mode.

If the input is known to change abruptly, the mux can be quickly switched to an alternate channel and quickly switched back to the original channel. By toggling the mux, the ADS1224 resets the digital filter and initiates a new conversion. During this time, the $\overline{\text{DRDY}}/\text{DOUT}$ line is held high until fully-settled data is available.

DATA FORMAT

The ADS1224 outputs 24 bits of data in binary two's complement format. The least significant bit (LSB) has a weight of $(2V_{\text{REF}})/(2^{23} - 1)$. The positive full-scale input produces an output code of 7FFFFFFh and the negative full-scale input produces an output code of 800000h. The output clips at these codes for signals exceeding full-scale. Table 2 summarizes the ideal output codes for different input signals.

Table 2. Ideal Output Code vs Input Signal

| INPUT SIGNAL V_{IN} ($A_{\text{INP}} - A_{\text{INN}}$) | IDEAL OUTPUT CODE(1) |
|---|----------------------|
| $\geq +2V_{\text{REF}}$ | 7FFFFFFh |
| $\frac{+2V_{\text{REF}}}{2^{23} - 1}$ | 000001h |
| 0 | 000000h |
| $\frac{-2V_{\text{REF}}}{2^{23} - 1}$ | FFFFFFh |
| $\leq -2V_{\text{REF}} \left(\frac{2^{23}}{2^{23} - 1} \right)$ | 800000h |

(1) Excludes effects of noise, INL, offset, and gain errors.

DATA RETRIEVAL

The ADS1224 continuously converts the analog input signal. To retrieve data, wait until $\overline{\text{DRDY}}/\text{DOUT}$ goes low, as shown in Figure 25. After this occurs, begin shifting out the data by applying SCLKs. Data is shifted out MSB first. It is not required to shift out all 24 bits of data, but the data must be retrieved before the new data is updated (see t_2) or else it will be overwritten. Avoid data retrieval during the update period. $\overline{\text{DRDY}}/\text{DOUT}$ remain at the state of the last bit shifted out until it is taken high (see t_6), indicating that new data is being updated. To avoid having $\overline{\text{DRDY}}/\text{DOUT}$ remain in the state of the last bit, shift a 25th SCLK to force $\overline{\text{DRDY}}/\text{DOUT}$ high (see Figure 26). This technique is useful when a host controlling the ADS1224 is polling $\overline{\text{DRDY}}/\text{DOUT}$ to determine when data is ready.

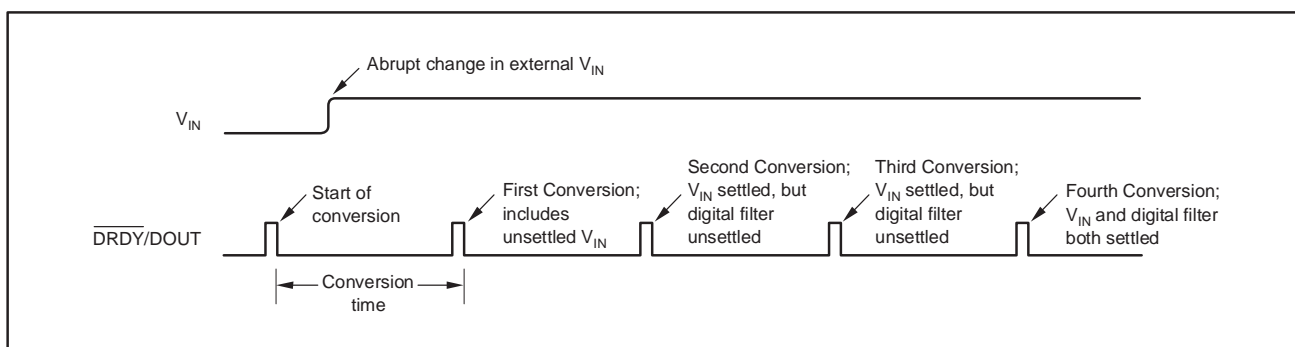


Figure 24. Settling Time in Continuous Conversion Mode

SBAS286C – JUNE 2003 – REVISED JANUARY 2009

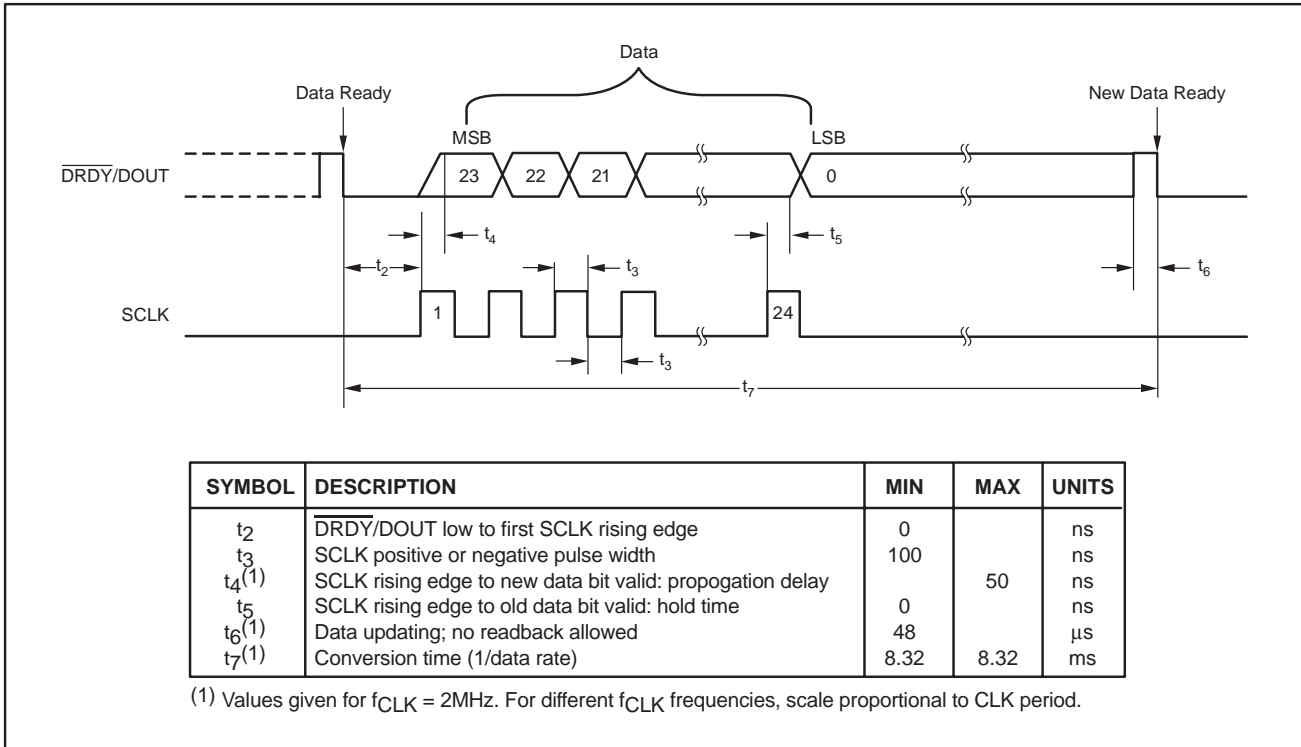


Figure 25. Data Retrieval Timing

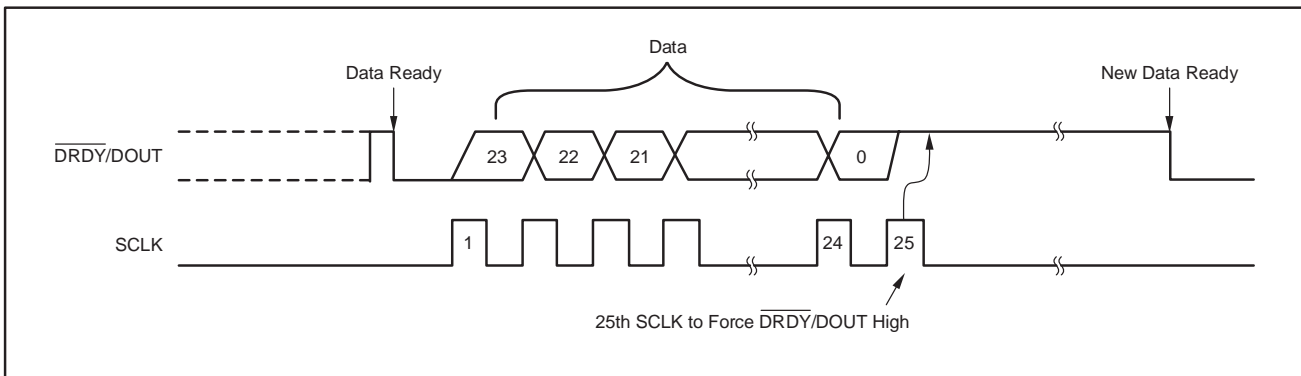


Figure 26. Data Retrieval with $\overline{\text{DRDY}}/\text{DOUT}$ Forced High Afterwards

SELF-CALIBRATION

Self-calibration can be initiated at any time, although in many applications the ADS1224 drift performance is so good that the self-calibration performed automatically at power-up is all that is needed. To initiate self-calibration, apply at least two additional SCLKs after retrieving 24 bits of data. Figure 27 shows the timing pattern. The 25th SCLK will send $\overline{\text{DRDY}}/\text{DOUT}$ high. The falling edge of the 26th SCLK will begin the calibration cycle. Additional SCLK pulses may be sent after the 26th SCLK; however, activity on SCLK should be minimized during calibration for best results.

When the calibration is complete, $\overline{\text{DRDY}}/\text{DOUT}$ goes low, indicating that new data is ready. There is no need to alter the analog input signal applied to the ADS1224 during calibration; the input pins are disconnected within the A/D converter and the appropriate signals are applied internally and automatically. The first conversion after a calibration is fully settled and valid for use. The time required for a calibration depends on two independent signals: the falling edge of SCLK and an internal clock derived from CLK. Variations in the internal calibration values will change the time required for calibration (t_g) within the range given by the min/max specs. t_{11} and t_{12} described in the next section are affected likewise.

STANDBY MODE

Standby mode dramatically reduces power consumption (typically < 1 μ W with CLK stopped) by shutting down all of the active circuitry. To enter Standby mode, simply hold SCLK high after $\overline{\text{DRDY}}/\text{DOUT}$ goes low, as shown in Figure 28. Standby mode can be initiated at any time during readback; it is not necessary to retrieve all 24 bits of data beforehand. Note that during standby mode, the buffer must be disabled to prevent loading of the inputs.

When t_{11} has passed with SCLK held high, Standby mode will activate. $\overline{\text{DRDY}}/\text{DOUT}$ stays high when Standby mode begins. SCLK must remain high to stay in Standby mode. To exit Standby mode (wakeup), set SCLK low. The first data after exiting Standby mode is valid. It is not necessary to stop CLK during Standby mode, but doing so will further reduce the digital supply current.

Standby Mode With Self-Calibration

Self-calibration can be set to run immediately after exiting Standby mode. This is useful when the ADS1224 is put in Standby mode for long periods of time and self-calibration is desired afterwards to compensate for temperature or supply voltage changes.

To force a self-calibration with Standby mode, shift 25 bits out before taking SCLK high to enter Standby mode. Self-calibration then begins after wakeup. Figure 29 shows the appropriate timing. Note the extra time needed after wakeup for calibration before data is ready. The first data after Standby mode with self-calibration is fully settled and can be used.

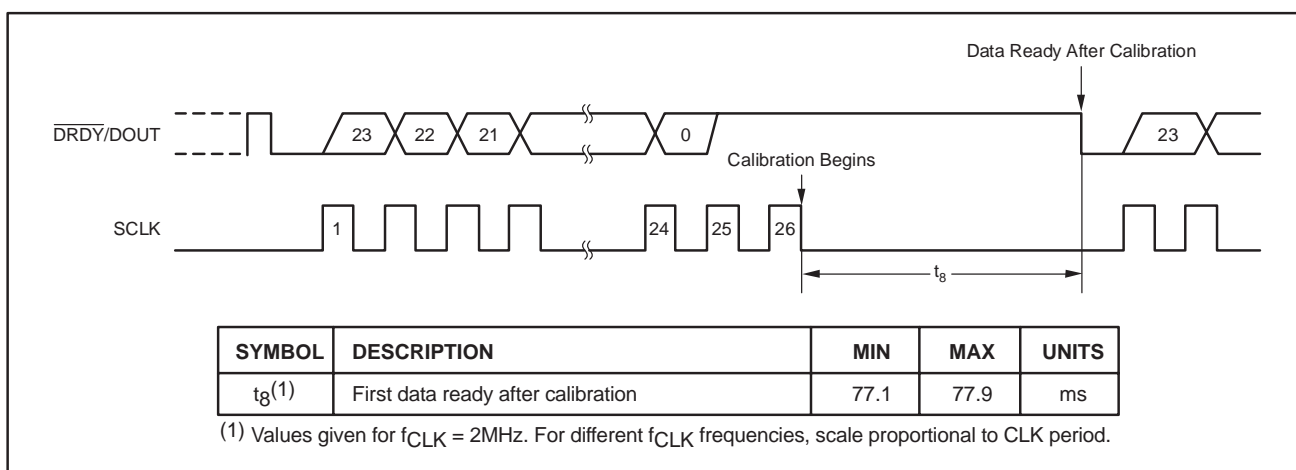


Figure 27. Self-Calibration Timing

SBAS286C – JUNE 2003 – REVISED JANUARY 2009

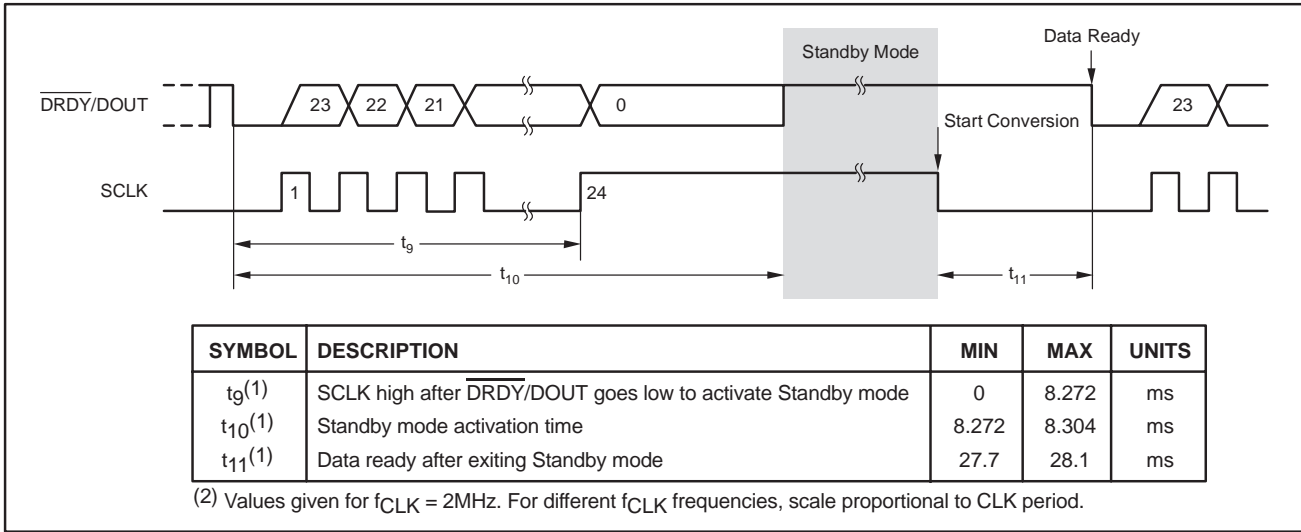


Figure 28. Standby Mode Timing (can be used for single conversions)

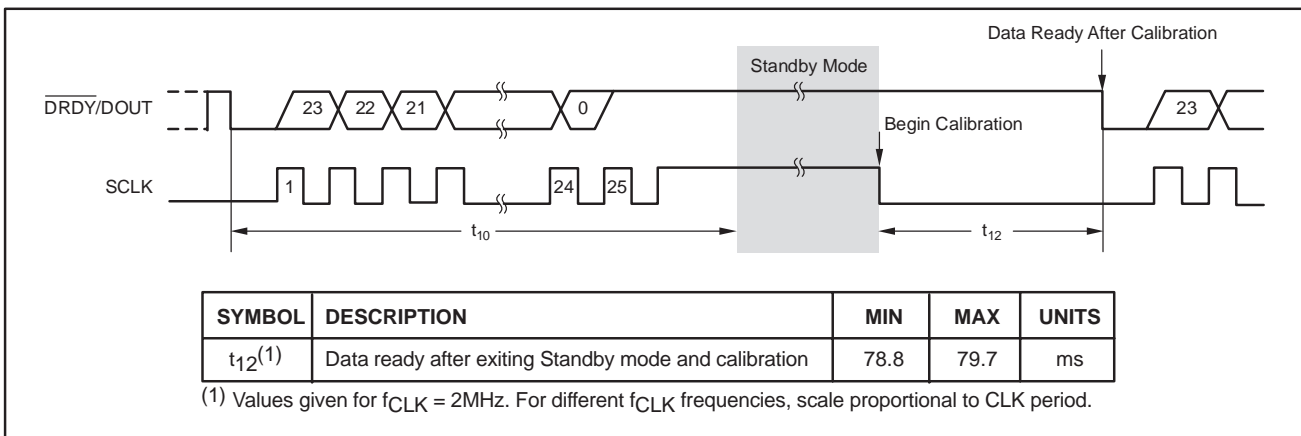


Figure 29. Standby Mode with Self-Calibration Timing (can be used for single conversions)

SINGLE CONVERSIONS

When only single conversions are needed, Standby mode can be used to start and stop the ADS1224. To make a single conversion, first enter the Standby mode holding SCLK high. Now, when ready to start the conversion, take SCLK low. The ADS1224 wakes up and begins the conversion. Wait for $\overline{\text{DRDY}}/\text{DOUT}$ to go low, and then retrieve the data. Afterwards, take SCLK

high to stop the ADS1224 from converting and re-enter Standby mode. Continue to hold SCLK high until ready to start the next conversion. Operating in this fashion greatly reduces power consumption since the ADS1224 is shut down while idle between conversions. Self-calibrations can be performed prior to the start of the single conversions by using the waveform shown in Figure 29.

APPLICATIONS INFORMATION

GENERAL RECOMMENDATIONS

The ADS1224 is a high-resolution A/D converter. Achieving optimal device performance requires careful attention to the support circuitry and printed circuit board (PCB) design. Figure 30 shows the basic connections for the ADS1224. As with any precision circuit, be sure to use good supply bypassing capacitor techniques. A smaller value ceramic capacitor in parallel with a larger value tantalum capacitor works well. Place the capacitors, in particular the ceramic ones, close to the supply pins. Use a ground plane and tie the ADS1224 GND pin and bypass capacitors directly to it. Avoid ringing on the digital inputs. Small resistors ($\approx 100\Omega$) in series with the digital pins can help by controlling the trace impedance. Place these resistors at the source end.

Pay special attention to the reference and analog inputs. These are the most critical circuits. Bypass the voltage reference using similar techniques to the supply voltages. The quality of the reference directly affects the overall accuracy of the device. Make sure to use a low noise and low drift reference such as the REF1004.

Often, only a simple RC filter is needed on the inputs. This circuits limits the higher frequency noise. Avoid low-grade dielectrics for the capacitors and place them as close as possible to the input pins. Keep the traces to the input pins short, and carefully watch how they are routed on the PCB.

After the power supplies and reference voltage have stabilized, issue a self-calibration command to minimize offset and gain errors.

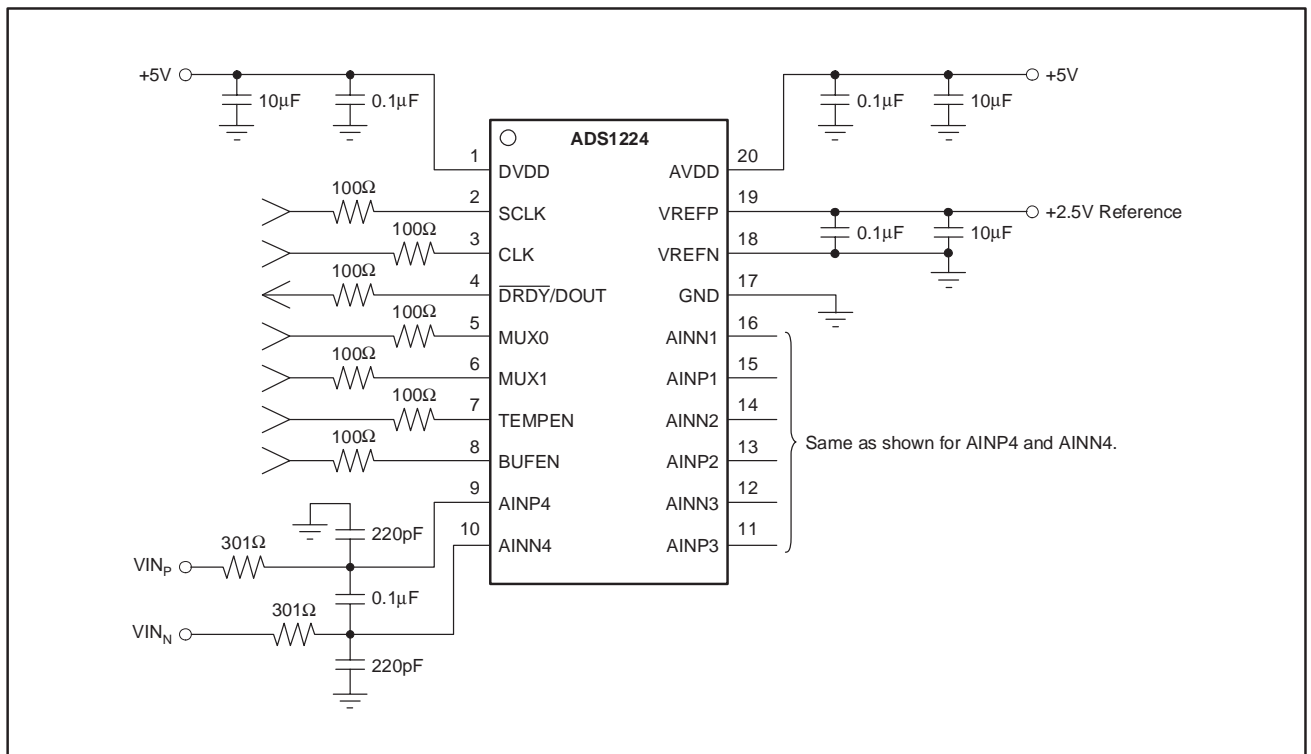


Figure 30. Basic Connections

SBAS286C – JUNE 2003 – REVISED JANUARY 2009

MULTICHANNEL SYSTEMS

Multiple ADS1224s can be operated in parallel to measure multiple input signals. Figure 31 shows an example of an eight-channel system. For simplicity, the supplies and reference circuitry are not shown. The same CLK signal should be applied to all devices. To synchronize the ADS1224s, connect the same SCLK signal to all devices. Then place all the devices in Standby mode. Afterwards, starting a conversion will synchronize all the ADS1224s; that is, they will sample the input signals simultaneously. The $\overline{\text{DRDY}}/\text{DOUT}$ outputs will go low at approximately the same time after synchronization. When reading data from the devices, the data appears in parallel on $\overline{\text{DRDY}}/\text{DOUT}$ as a result of the common SCLK connection.

The falling edges of $\overline{\text{DRDY}}/\text{DOUT}$, indicating that new data is ready, will vary with respect to each other no more than time t_{13} . This variation is due to possible differences in the ADS1224 internal calibration settings. To account for this, when using multiple devices, either wait for t_{13} to pass after seeing one $\overline{\text{DRDY}}/\text{DOUT}$ go low, or wait until all $\overline{\text{DRDY}}/\text{DOUT}$ s have gone low before retrieving data.

Note that changing channels (using the MUX0 and MUX1 pins), or using the input buffer (BUFEN) or the temperature sensor (TEMPEN), may require more care to settle the digital filter. For example, if the MUX0 pin is toggled on one device and not the other, the $\overline{\text{DRDY}}/\text{DOUT}$ line will be held high until the conversion settles on the first device. The latter device will continue conversions through this time. See the *Settling Time* section of this data sheet for further details.

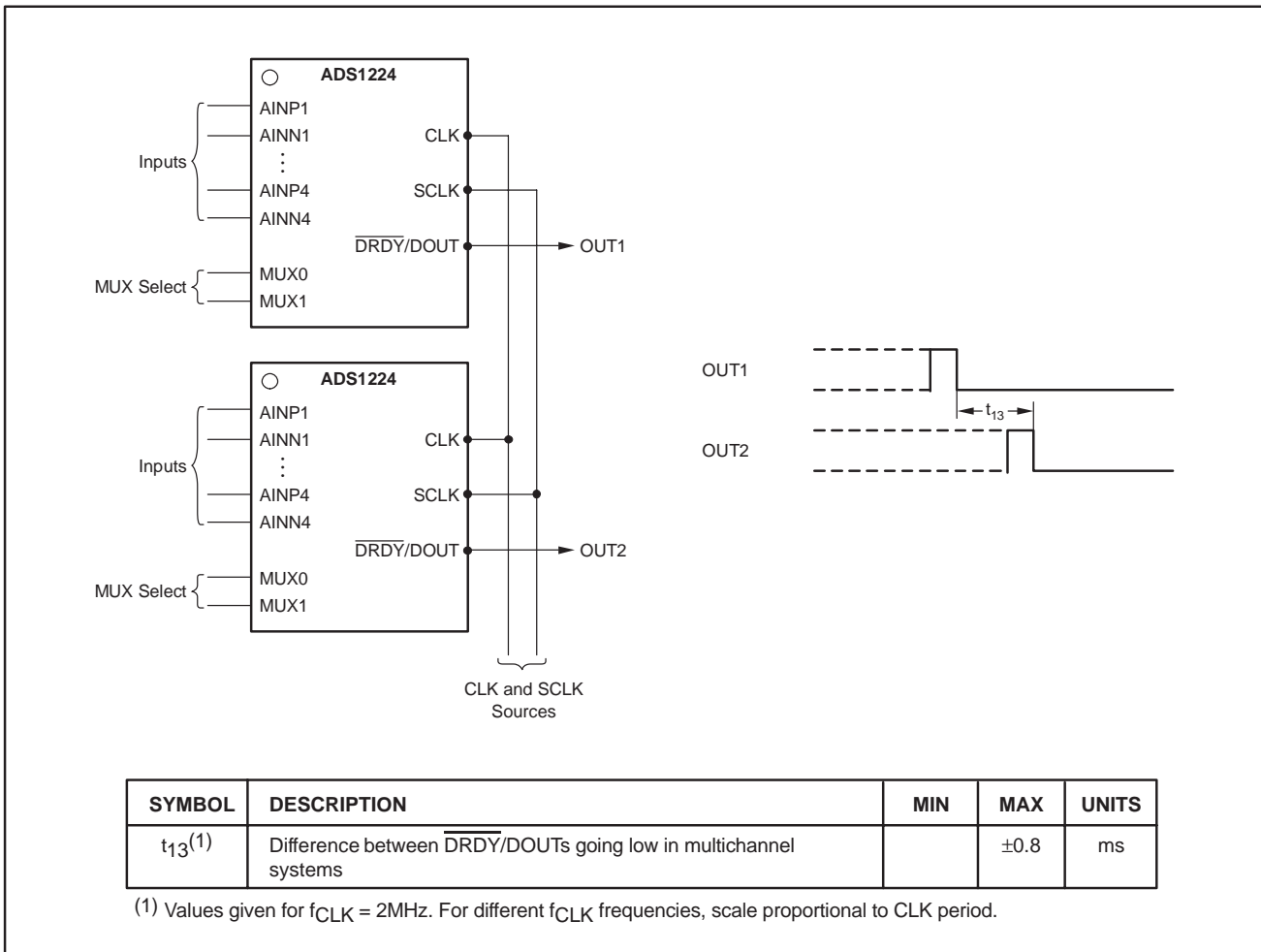


Figure 31. Example of Using Multiple ADS1224s in Parallel

VESSEL WEIGHING WITH FOUR LOAD CELLS

In vessel weighing systems, four load cells are frequently employed to measure the weight of the vessel and its contents. The output of the load cells are usually combined in an external summing junction box that balances the load cells' sensitivities for accuracy.

The four differential inputs of the ADS1224 allow for direct measurement of the four load cells individually. In this way, the mechanical adjustments performed inside the summing junction box are eliminated and are replaced by digital summing of the load cells in software. Figure 32 shows an example of such a system.

The reference voltage of the ADS1224 is derived by dividing down the AVDD supply voltage to 2.5V, while the load cell has a positive full-scale output of 10mV. In the figure, a low drift, dual op amp (OPA2335) provides

a differential in/differential out amplifier with a gain of 499V/V ($G = 1 + 2R_F/R_G$). Gain on the load cell gives the amplifier a full-scale output of 5V.

Each load cell input uses an external amplifier. The outputs of the amplifiers connect to the analog inputs of the ADS1224 through a low-pass filter. The cut-off frequency is set to 360Hz, allowing full settling in a single measurement cycle. A lower cut-off frequency can be used to reduce noise from mechanical vibrations, but at the expense of filter settling time.

The internal buffer of the ADS1224 is disabled, allowing the VREFN pin to be grounded. Note that the loading from the reference inputs will change the effective reference voltage. The effective input impedance into the VREFP and VREFN pins will lower the reference voltage seen at these pins. At 2MHz, input impedance is approximately 500kΩ. For the reference circuit shown in Figure 32, this lowers the effective reference voltage by approximately 0.1%.

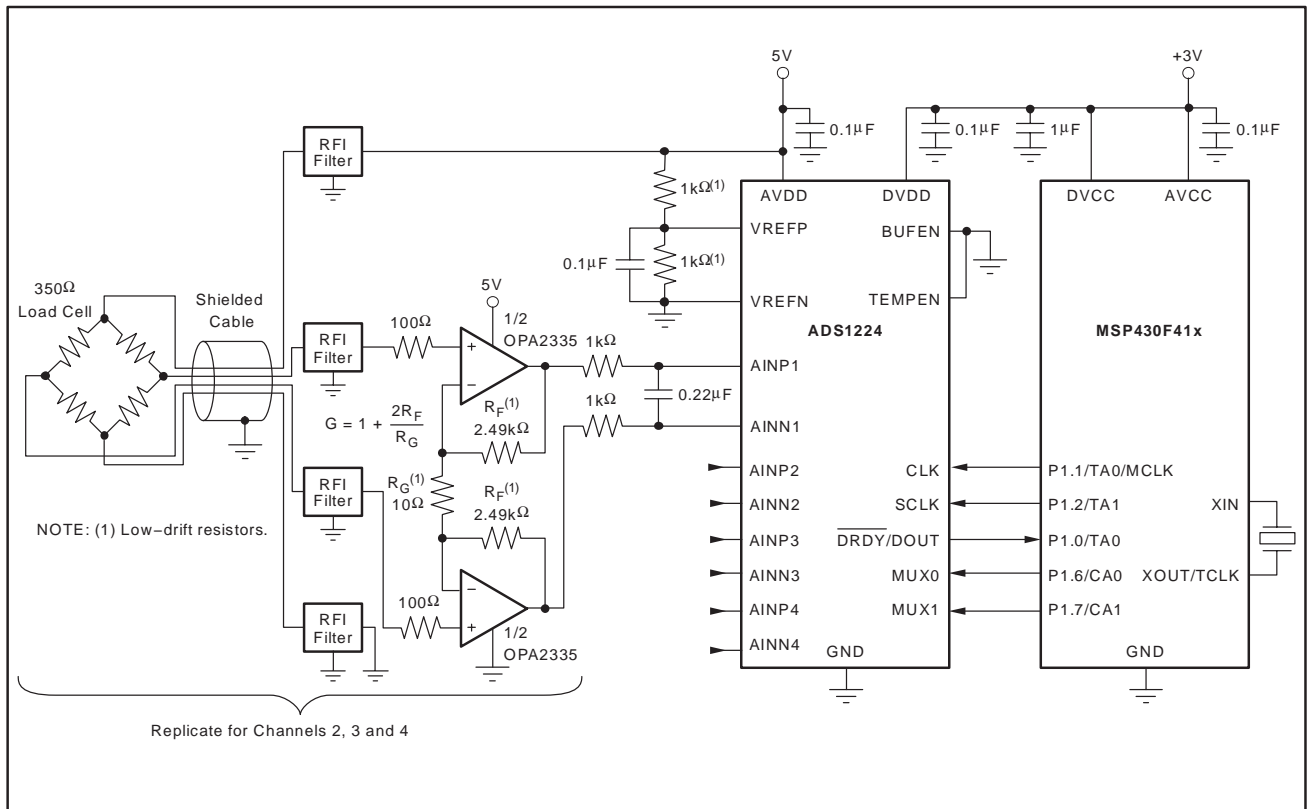


Figure 32. Vessel Weighing System with Four Load Cells

SUMMARY OF SERIAL INTERFACE WAVEFORMS

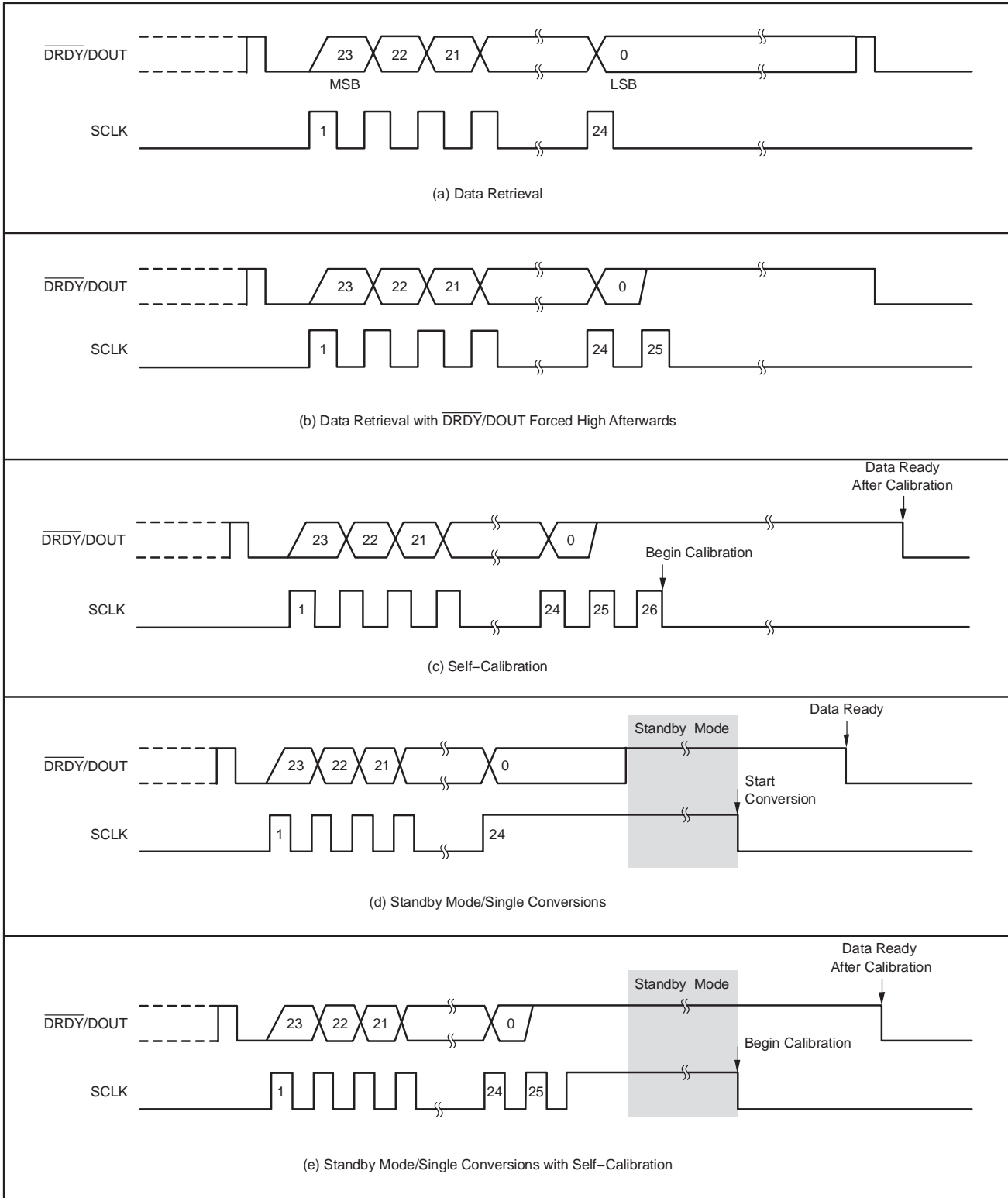


Figure 33. Summary of Serial Interface Waveforms

Revision History

| DATE | REV | PAGE | SECTION | DESCRIPTION |
|---------|-----|------|--|---|
| 12/2/08 | C | 9 | Analog Input Measurement with the Input Buffer | Added last sentence to first paragraph describing standby mode. |
| | | 15 | Standby Mode | Added last sentence to first paragraph describing standby mode. |

NOTE: Page numbers for previous revisions may differ from page numbers in the current version.

PACKAGING INFORMATION

| Orderable Device | Status ⁽¹⁾ | Package Type | Package Drawing | Pins | Package Qty | Eco Plan ⁽²⁾ | Lead/Ball Finish | MSL Peak Temp ⁽³⁾ |
|------------------|-----------------------|--------------|-----------------|------|-------------|-------------------------|------------------|------------------------------|
| ADS1224IPWR | ACTIVE | TSSOP | PW | 20 | 2000 | Green (RoHS & no Sb/Br) | CU NIPDAU | Level-2-260C-1 YEAR |
| ADS1224IPWRG4 | ACTIVE | TSSOP | PW | 20 | 2000 | Green (RoHS & no Sb/Br) | CU NIPDAU | Level-2-260C-1 YEAR |
| ADS1224IPWT | ACTIVE | TSSOP | PW | 20 | 250 | Green (RoHS & no Sb/Br) | CU NIPDAU | Level-2-260C-1 YEAR |
| ADS1224IPWTG4 | ACTIVE | TSSOP | PW | 20 | 250 | Green (RoHS & no Sb/Br) | CU NIPDAU | Level-2-260C-1 YEAR |

⁽¹⁾ The marketing status values are defined as follows:

ACTIVE: Product device recommended for new designs.

LIFEBUY: TI has announced that the device will be discontinued, and a lifetime-buy period is in effect.

NRND: Not recommended for new designs. Device is in production to support existing customers, but TI does not recommend using this part in a new design.

PREVIEW: Device has been announced but is not in production. Samples may or may not be available.

OBSOLETE: TI has discontinued the production of the device.

⁽²⁾ Eco Plan - The planned eco-friendly classification: Pb-Free (RoHS), Pb-Free (RoHS Exempt), or Green (RoHS & no Sb/Br) - please check <http://www.ti.com/productcontent> for the latest availability information and additional product content details.

TBD: The Pb-Free/Green conversion plan has not been defined.

Pb-Free (RoHS): TI's terms "Lead-Free" or "Pb-Free" mean semiconductor products that are compatible with the current RoHS requirements for all 6 substances, including the requirement that lead not exceed 0.1% by weight in homogeneous materials. Where designed to be soldered at high temperatures, TI Pb-Free products are suitable for use in specified lead-free processes.

Pb-Free (RoHS Exempt): This component has a RoHS exemption for either 1) lead-based flip-chip solder bumps used between the die and package, or 2) lead-based die adhesive used between the die and leadframe. The component is otherwise considered Pb-Free (RoHS compatible) as defined above.

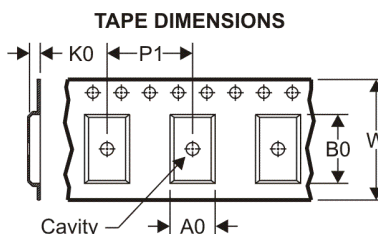
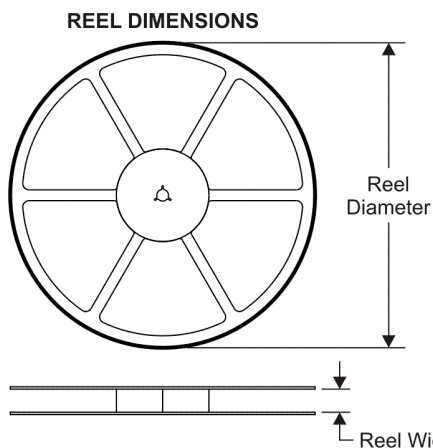
Green (RoHS & no Sb/Br): TI defines "Green" to mean Pb-Free (RoHS compatible), and free of Bromine (Br) and Antimony (Sb) based flame retardants (Br or Sb do not exceed 0.1% by weight in homogeneous material)

⁽³⁾ MSL, Peak Temp. -- The Moisture Sensitivity Level rating according to the JEDEC industry standard classifications, and peak solder temperature.

Important Information and Disclaimer:The information provided on this page represents TI's knowledge and belief as of the date that it is provided. TI bases its knowledge and belief on information provided by third parties, and makes no representation or warranty as to the accuracy of such information. Efforts are underway to better integrate information from third parties. TI has taken and continues to take reasonable steps to provide representative and accurate information but may not have conducted destructive testing or chemical analysis on incoming materials and chemicals. TI and TI suppliers consider certain information to be proprietary, and thus CAS numbers and other limited information may not be available for release.

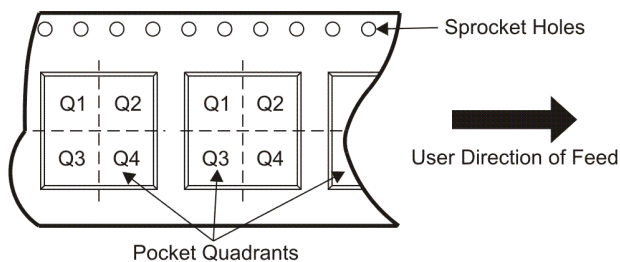
In no event shall TI's liability arising out of such information exceed the total purchase price of the TI part(s) at issue in this document sold by TI to Customer on an annual basis.

TAPE AND REEL INFORMATION



| | |
|----|---|
| A0 | Dimension designed to accommodate the component width |
| B0 | Dimension designed to accommodate the component length |
| K0 | Dimension designed to accommodate the component thickness |
| W | Overall width of the carrier tape |
| P1 | Pitch between successive cavity centers |

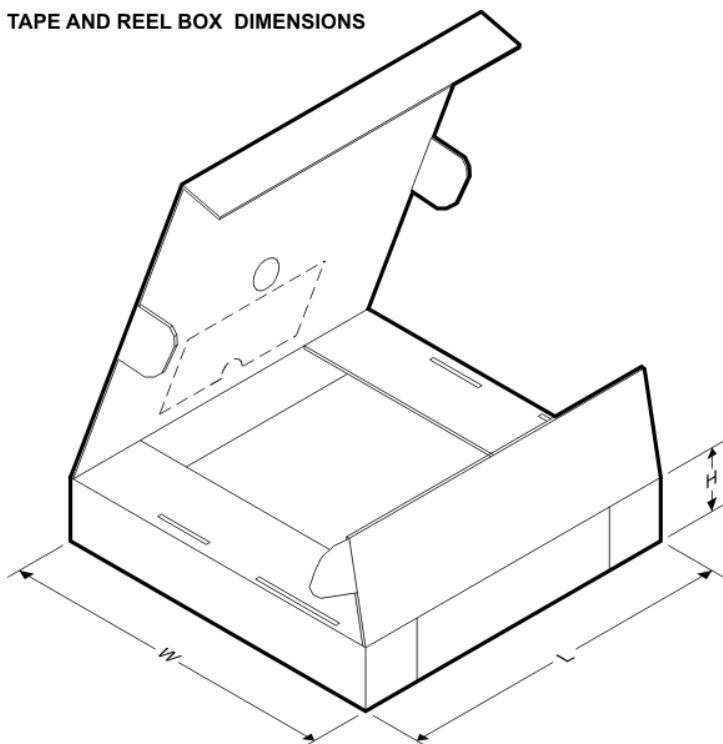
QUADRANT ASSIGNMENTS FOR PIN 1 ORIENTATION IN TAPE



*All dimensions are nominal

| Device | Package Type | Package Drawing | Pins | SPQ | Reel Diameter (mm) | Reel Width W1 (mm) | A0 (mm) | B0 (mm) | K0 (mm) | P1 (mm) | W (mm) | Pin1 Quadrant |
|-------------|--------------|-----------------|------|------|--------------------|--------------------|---------|---------|---------|---------|--------|---------------|
| ADS1224IPWR | TSSOP | PW | 20 | 2000 | 330.0 | 16.4 | 6.95 | 7.1 | 1.6 | 8.0 | 16.0 | Q1 |
| ADS1224IPWT | TSSOP | PW | 20 | 250 | 180.0 | 16.4 | 6.95 | 7.1 | 1.6 | 8.0 | 16.0 | Q1 |

TAPE AND REEL BOX DIMENSIONS



*All dimensions are nominal

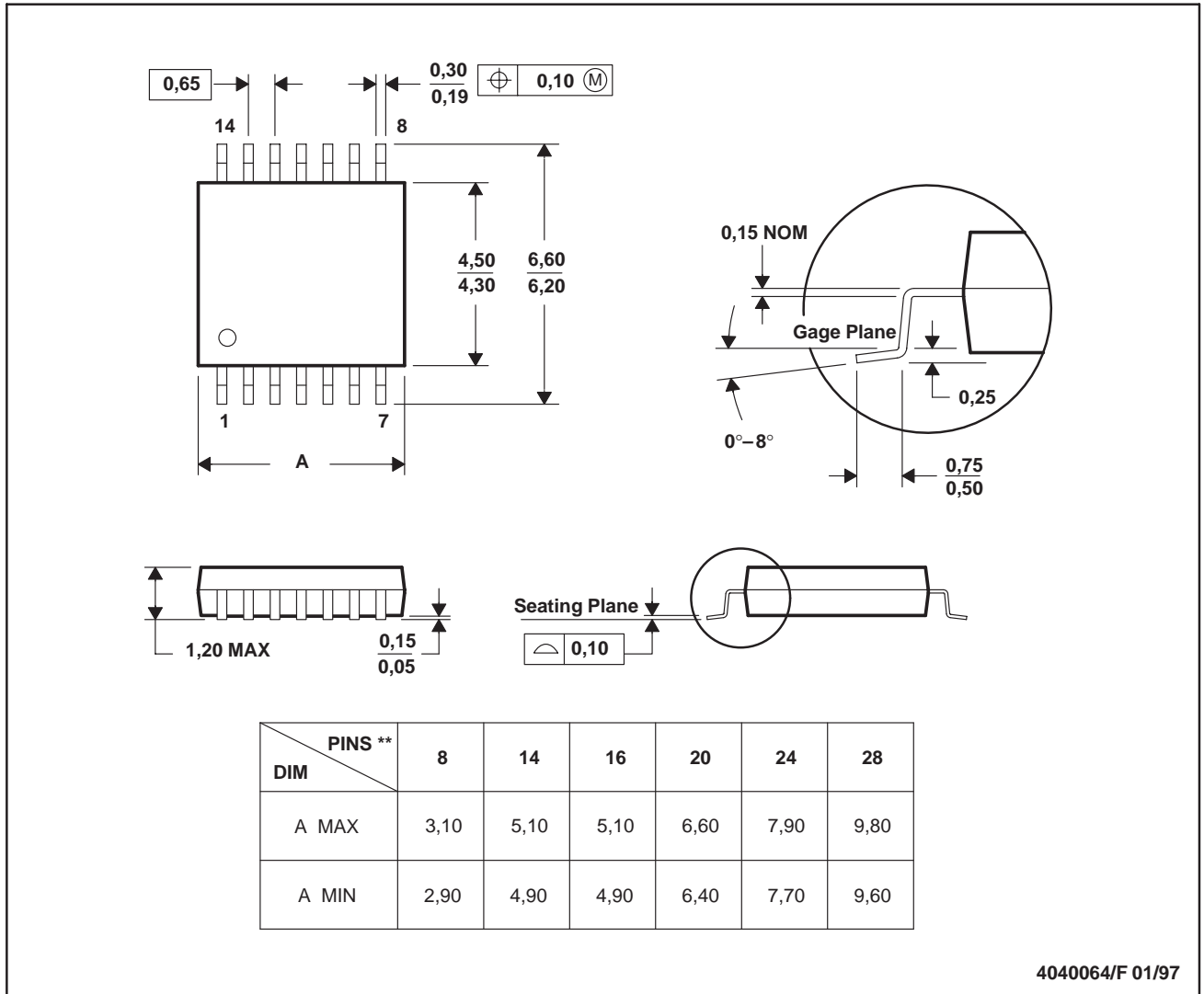
| Device | Package Type | Package Drawing | Pins | SPQ | Length (mm) | Width (mm) | Height (mm) |
|-------------|--------------|-----------------|------|------|-------------|------------|-------------|
| ADS1224IPWR | TSSOP | PW | 20 | 2000 | 346.0 | 346.0 | 33.0 |
| ADS1224IPWT | TSSOP | PW | 20 | 250 | 190.5 | 212.7 | 31.8 |

MTSS001C – JANUARY 1995 – REVISED FEBRUARY 1999

PW (R-PDSO-G)**

PLASTIC SMALL-OUTLINE PACKAGE

14 PINS SHOWN



4040064/F 01/97

- NOTES: A. All linear dimensions are in millimeters.
 B. This drawing is subject to change without notice.
 C. Body dimensions do not include mold flash or protrusion not to exceed 0,15.
 D. Falls within JEDEC MO-153

PACKAGING INFORMATION

| Orderable Device | Status (1) | Package Type | Package Drawing | Pins | Package Qty | Eco Plan (2) | Lead/Ball Finish | MSL Peak Temp (3) | Op Temp (°C) | Top-Side Markings (4) | Samples |
|------------------|---------------|--------------|-----------------|------|-------------|-------------------------|------------------|----------------------|--------------|--------------------------|-------------------------|
| ADS1224IPWR | ACTIVE | TSSOP | PW | 20 | 2000 | Green (RoHS & no Sb/Br) | CU NIPDAU | Level-2-260C-1 YEAR | -40 to 85 | ADS1224 | Samples |
| ADS1224IPWRG4 | ACTIVE | TSSOP | PW | 20 | 2000 | Green (RoHS & no Sb/Br) | CU NIPDAU | Level-2-260C-1 YEAR | -40 to 85 | ADS1224 | Samples |
| ADS1224IPWT | ACTIVE | TSSOP | PW | 20 | 250 | Green (RoHS & no Sb/Br) | CU NIPDAU | Level-2-260C-1 YEAR | -40 to 85 | ADS1224 | Samples |
| ADS1224IPWTG4 | ACTIVE | TSSOP | PW | 20 | 250 | Green (RoHS & no Sb/Br) | CU NIPDAU | Level-2-260C-1 YEAR | -40 to 85 | ADS1224 | Samples |

(1) The marketing status values are defined as follows:

ACTIVE: Product device recommended for new designs.

LIFEBUY: TI has announced that the device will be discontinued, and a lifetime-buy period is in effect.

NRND: Not recommended for new designs. Device is in production to support existing customers, but TI does not recommend using this part in a new design.

PREVIEW: Device has been announced but is not in production. Samples may or may not be available.

OBsolete: TI has discontinued the production of the device.

(2) Eco Plan - The planned eco-friendly classification: Pb-Free (RoHS), Pb-Free (RoHS Exempt), or Green (RoHS & no Sb/Br) - please check <http://www.ti.com/productcontent> for the latest availability information and additional product content details.

TBD: The Pb-Free/Green conversion plan has not been defined.

Pb-Free (RoHS): TI's terms "Lead-Free" or "Pb-Free" mean semiconductor products that are compatible with the current RoHS requirements for all 6 substances, including the requirement that lead not exceed 0.1% by weight in homogeneous materials. Where designed to be soldered at high temperatures, TI Pb-Free products are suitable for use in specified lead-free processes.

Pb-Free (RoHS Exempt): This component has a RoHS exemption for either 1) lead-based flip-chip solder bumps used between the die and package, or 2) lead-based die adhesive used between the die and leadframe. The component is otherwise considered Pb-Free (RoHS compatible) as defined above.

Green (RoHS & no Sb/Br): TI defines "Green" to mean Pb-Free (RoHS compatible), and free of Bromine (Br) and Antimony (Sb) based flame retardants (Br or Sb do not exceed 0.1% by weight in homogeneous material)

(3) MSL, Peak Temp. -- The Moisture Sensitivity Level rating according to the JEDEC industry standard classifications, and peak solder temperature.

(4) Multiple Top-Side Markings will be inside parentheses. Only one Top-Side Marking contained in parentheses and separated by a "-" will appear on a device. If a line is indented then it is a continuation of the previous line and the two combined represent the entire Top-Side Marking for that device.

Important Information and Disclaimer: The information provided on this page represents TI's knowledge and belief as of the date that it is provided. TI bases its knowledge and belief on information provided by third parties, and makes no representation or warranty as to the accuracy of such information. Efforts are underway to better integrate information from third parties. TI has taken and continues to take reasonable steps to provide representative and accurate information but may not have conducted destructive testing or chemical analysis on incoming materials and chemicals. TI and TI suppliers consider certain information to be proprietary, and thus CAS numbers and other limited information may not be available for release.

In no event shall TI's liability arising out of such information exceed the total purchase price of the TI part(s) at issue in this document sold by TI to Customer on an annual basis.



Distributor of Texas Instruments: Excellent Integrated System Limited

Datasheet of ADS1224IPWT - IC ADC 24BIT 240SPS 20-TSSOP

Contact us: sales@integrated-circuit.com Website: www.integrated-circuit.com

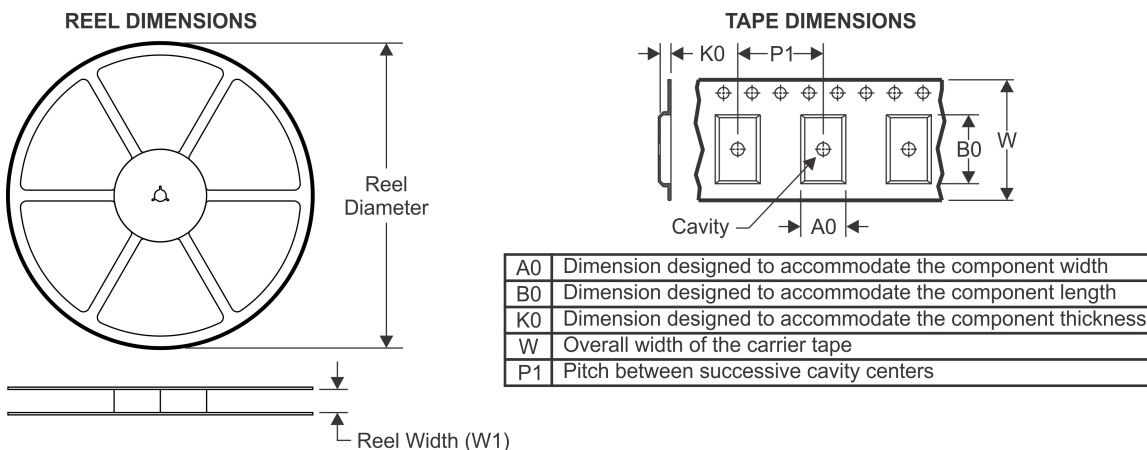
PACKAGE OPTION ADDENDUM



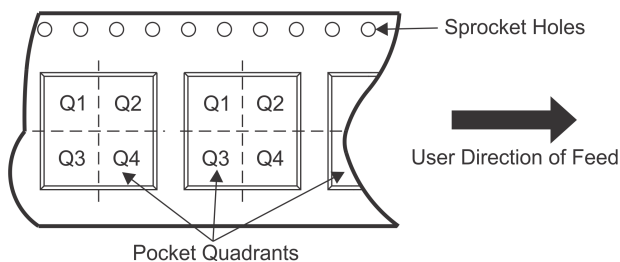
www.ti.com

11-Apr-2013

TAPE AND REEL INFORMATION



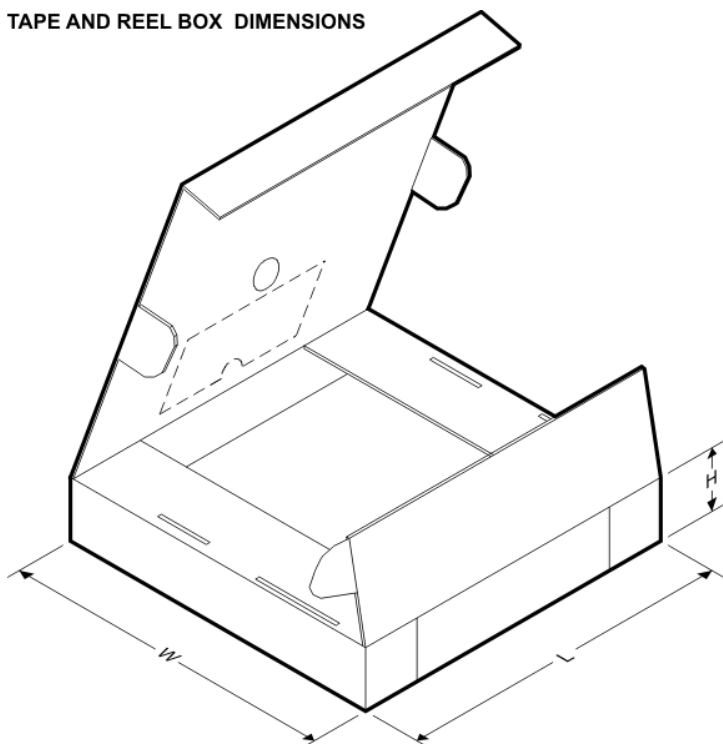
QUADRANT ASSIGNMENTS FOR PIN 1 ORIENTATION IN TAPE



*All dimensions are nominal

| Device | Package Type | Package Drawing | Pins | SPQ | Reel Diameter (mm) | Reel Width W1 (mm) | A0 (mm) | B0 (mm) | K0 (mm) | P1 (mm) | W (mm) | Pin1 Quadrant |
|-------------|--------------|-----------------|------|------|--------------------|--------------------|---------|---------|---------|---------|--------|---------------|
| ADS1224IPWR | TSSOP | PW | 20 | 2000 | 330.0 | 16.4 | 6.95 | 7.1 | 1.6 | 8.0 | 16.0 | Q1 |
| ADS1224IPWT | TSSOP | PW | 20 | 250 | 180.0 | 16.4 | 6.95 | 7.1 | 1.6 | 8.0 | 16.0 | Q1 |

TAPE AND REEL BOX DIMENSIONS



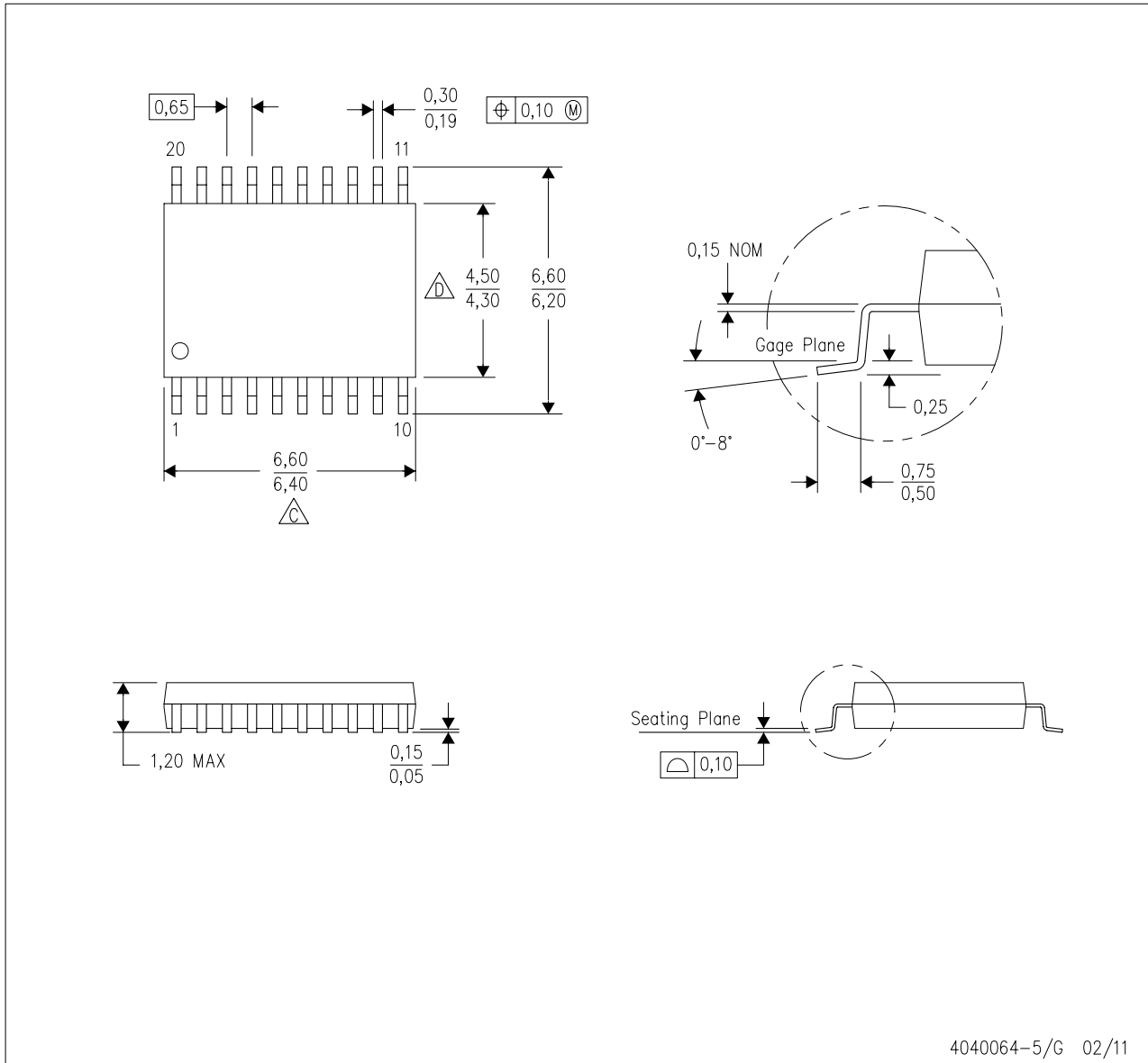
*All dimensions are nominal

| Device | Package Type | Package Drawing | Pins | SPQ | Length (mm) | Width (mm) | Height (mm) |
|-------------|--------------|-----------------|------|------|-------------|------------|-------------|
| ADS1224IPWR | TSSOP | PW | 20 | 2000 | 367.0 | 367.0 | 38.0 |
| ADS1224IPWT | TSSOP | PW | 20 | 250 | 210.0 | 185.0 | 35.0 |

MECHANICAL DATA

PW (R-PDSO-G20)

PLASTIC SMALL OUTLINE



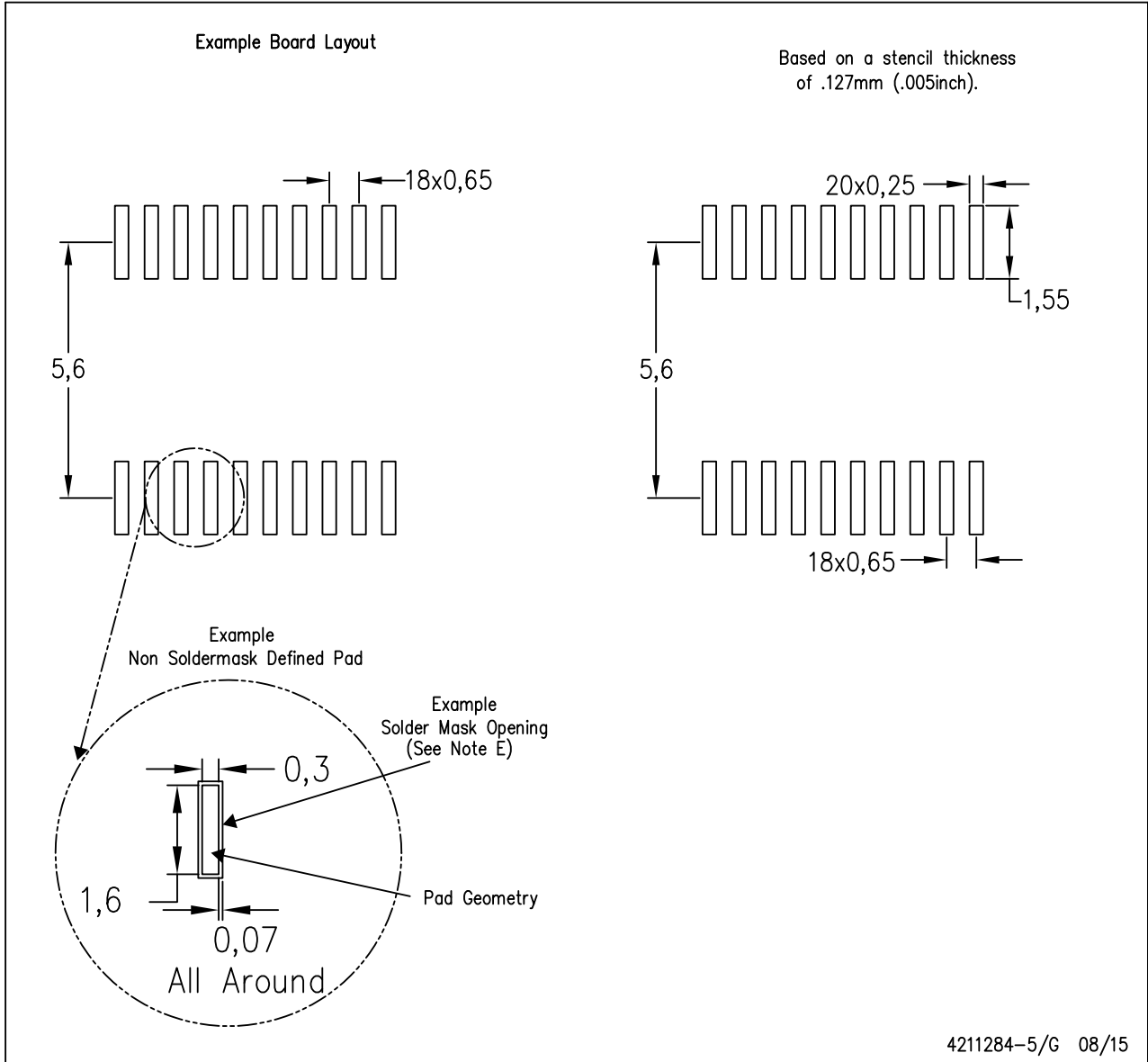
4040064-5/G 02/11

- NOTES:
- A. All linear dimensions are in millimeters. Dimensioning and tolerancing per ASME Y14.5M-1994.
 - B. This drawing is subject to change without notice.
 - C. Body length does not include mold flash, protrusions, or gate burrs. Mold flash, protrusions, or gate burrs shall not exceed 0,15 each side.
 - D. Body width does not include interlead flash. Interlead flash shall not exceed 0,25 each side.
 - E. Falls within JEDEC MO-153

LAND PATTERN DATA

PW (R-PDSO-G20)

PLASTIC SMALL OUTLINE



- NOTES:
- A. All linear dimensions are in millimeters.
 - B. This drawing is subject to change without notice.
 - C. Publication IPC-7351 is recommended for alternate design.
 - D. Laser cutting apertures with trapezoidal walls and also rounding corners will offer better paste release. Customers should contact their board assembly site for stencil design recommendations. Refer to IPC-7525 for other stencil recommendations.
 - E. Customers should contact their board fabrication site for solder mask tolerances between and around signal pads.

IMPORTANT NOTICE

Texas Instruments Incorporated and its subsidiaries (TI) reserve the right to make corrections, enhancements, improvements and other changes to its semiconductor products and services per JESD46, latest issue, and to discontinue any product or service per JESD48, latest issue. Buyers should obtain the latest relevant information before placing orders and should verify that such information is current and complete. All semiconductor products (also referred to herein as “components”) are sold subject to TI’s terms and conditions of sale supplied at the time of order acknowledgment.

TI warrants performance of its components to the specifications applicable at the time of sale, in accordance with the warranty in TI’s terms and conditions of sale of semiconductor products. Testing and other quality control techniques are used to the extent TI deems necessary to support this warranty. Except where mandated by applicable law, testing of all parameters of each component is not necessarily performed.

TI assumes no liability for applications assistance or the design of Buyers’ products. Buyers are responsible for their products and applications using TI components. To minimize the risks associated with Buyers’ products and applications, Buyers should provide adequate design and operating safeguards.

TI does not warrant or represent that any license, either express or implied, is granted under any patent right, copyright, mask work right, or other intellectual property right relating to any combination, machine, or process in which TI components or services are used. Information published by TI regarding third-party products or services does not constitute a license to use such products or services or a warranty or endorsement thereof. Use of such information may require a license from a third party under the patents or other intellectual property of the third party, or a license from TI under the patents or other intellectual property of TI.

Reproduction of significant portions of TI information in TI data books or data sheets is permissible only if reproduction is without alteration and is accompanied by all associated warranties, conditions, limitations, and notices. TI is not responsible or liable for such altered documentation. Information of third parties may be subject to additional restrictions.

Resale of TI components or services with statements different from or beyond the parameters stated by TI for that component or service voids all express and any implied warranties for the associated TI component or service and is an unfair and deceptive business practice. TI is not responsible or liable for any such statements.

Buyer acknowledges and agrees that it is solely responsible for compliance with all legal, regulatory and safety-related requirements concerning its products, and any use of TI components in its applications, notwithstanding any applications-related information or support that may be provided by TI. Buyer represents and agrees that it has all the necessary expertise to create and implement safeguards which anticipate dangerous consequences of failures, monitor failures and their consequences, lessen the likelihood of failures that might cause harm and take appropriate remedial actions. Buyer will fully indemnify TI and its representatives against any damages arising out of the use of any TI components in safety-critical applications.

In some cases, TI components may be promoted specifically to facilitate safety-related applications. With such components, TI’s goal is to help enable customers to design and create their own end-product solutions that meet applicable functional safety standards and requirements. Nonetheless, such components are subject to these terms.

No TI components are authorized for use in FDA Class III (or similar life-critical medical equipment) unless authorized officers of the parties have executed a special agreement specifically governing such use.

Only those TI components which TI has specifically designated as military grade or “enhanced plastic” are designed and intended for use in military/aerospace applications or environments. Buyer acknowledges and agrees that any military or aerospace use of TI components which have **not** been so designated is solely at the Buyer’s risk, and that Buyer is solely responsible for compliance with all legal and regulatory requirements in connection with such use.

TI has specifically designated certain components as meeting ISO/TS16949 requirements, mainly for automotive use. In any case of use of non-designated products, TI will not be responsible for any failure to meet ISO/TS16949.

Products

| | |
|------------------------------|--|
| Audio | www.ti.com/audio |
| Amplifiers | amplifier.ti.com |
| Data Converters | dataconverter.ti.com |
| DLP® Products | www.dlp.com |
| DSP | dsp.ti.com |
| Clocks and Timers | www.ti.com/clocks |
| Interface | interface.ti.com |
| Logic | logic.ti.com |
| Power Mgmt | power.ti.com |
| Microcontrollers | microcontroller.ti.com |
| RFID | www.ti-rfid.com |
| OMAP Applications Processors | www.ti.com/omap |
| Wireless Connectivity | www.ti.com/wirelessconnectivity |

Applications

| | |
|-------------------------------|--|
| Automotive and Transportation | www.ti.com/automotive |
| Communications and Telecom | www.ti.com/communications |
| Computers and Peripherals | www.ti.com/computers |
| Consumer Electronics | www.ti.com/consumer-apps |
| Energy and Lighting | www.ti.com/energy |
| Industrial | www.ti.com/industrial |
| Medical | www.ti.com/medical |
| Security | www.ti.com/security |
| Space, Avionics and Defense | www.ti.com/space-avionics-defense |
| Video and Imaging | www.ti.com/video |

TI E2E Community

e2e.ti.com