

Excellent Integrated System Limited

Stocking Distributor

Click to view price, real time Inventory, Delivery & Lifecycle Information:

[Phoenix Contact](#)
[1899016](#)

For any questions, you can email us directly:

sales@integrated-circuit.com



Extract from the online catalog

DFK-MSTBA 2,5/ 5-GF-5,08

Order No.: 1899016

The figure shows a 10-position version of the product



<http://eshop.phoenixcontact.de/phoenix/treeViewClick.do?UID=1899016>

Header, Nominal current: 12 A, Nom. voltage: 250 V, Nom. voltage: 250 V, Pitch: 5.08 mm, Number of positions: 5, Color: green, Assembly: Soldering

| Commercial data | |
|--------------------------|--------------------|
| EAN | 4017918186487 |
| Pack | 50 pcs. |
| Customs tariff | 85366990 |
| Weight/Piece | 0.00646 KG |
| Catalog page information | Page 287 (CC-2009) |

Product notes

WEEE/RoHS-compliant since:
08/04/2005



<http://www.download.phoenixcontact.com>
Please note that the data given here has been taken from the online catalog. For comprehensive information and data, please refer to the user documentation. The General Terms and Conditions of Use apply to Internet downloads.

Technical data

| Dimensions / positions | |
|------------------------|----------|
| Pitch | 5.08 mm |
| Dimension a | 20.32 mm |
| Number of positions | 5 |

DFK-MSTBA 2,5/ 5-GF-5,08 Order No.: 1899016
<http://eshop.phoenixcontact.de/phoenix/treeViewClick.do?UID=1899016>

Technical data

| | |
|------------------------------------|--------|
| Insulating material group | IIIa |
| Rated surge voltage (III/3) | 4 kV |
| Rated surge voltage (III/2) | 4 kV |
| Rated surge voltage (II/2) | 4 kV |
| Rated voltage (III/2) | 320 V |
| Rated voltage (II/2) | 400 V |
| Connection in acc. with standard | EN-VDE |
| Nominal current I_N | 12 A |
| Nominal voltage U_N | 250 V |
| Maximum load current | 12 A |
| Insulating material | PBT |
| Inflammability class acc. to UL 94 | V0 |

Certificates / Approvals



Certification CB, CUL, GOST, UL, VDE-PZI

CUL

| | |
|-----------------------|-------|
| Nominal voltage U_N | 300 V |
| Nominal current I_N | 10 A |

UL

| | |
|-----------------------|-------|
| Nominal voltage U_N | 300 V |
| Nominal current I_N | 10 A |

Accessories

| Item | Designation | Description |
|------|-------------|-------------|
|------|-------------|-------------|

Assembly

| | | |
|---------|-------------|---|
| 0708263 | DFK-MSTB-SS | Screw set, for securing the header to the device wall, consists of an M3 x 10 screw, with a spring washer and a nut |
| 1755477 | MSTB-BL | Keying cap, for forming sections, plugs onto header pin, green insulating material |

DFK-MSTBA 2,5/ 5-GF-5,08 Order No.: 1899016
<http://eshop.phoenixcontact.de/phoenix/treeViewClick.do?UID=1899016>

Plug/Adapter

| | | |
|---------|---------|--|
| 1734401 | CR-MSTB | Coding section, inserted into the recess in the header or the inverted plug, red insulating material |
|---------|---------|--|

Additional products

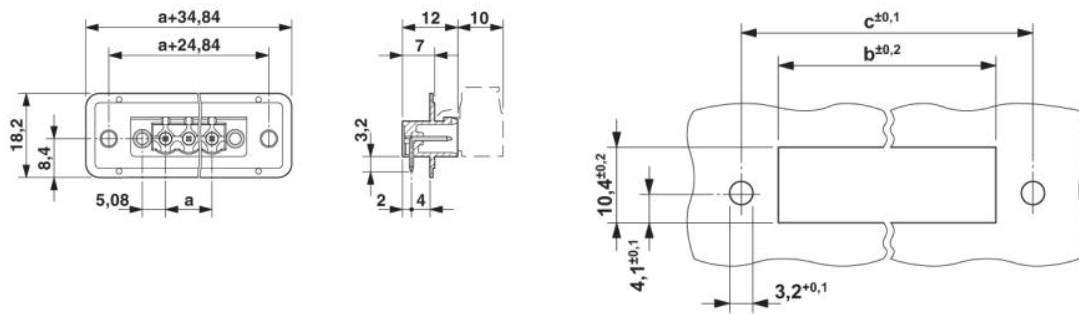
| Item | Designation | Description |
|----------------|----------------------------|---|
| General | | |
| 1873236 | FKC 2,5/ 5-STF-5,08 | Plug component, Nominal current: 12 A, Nom. voltage: 250 V, Pitch: 5.08 mm, Number of positions: 5, Connection type: Spring-cage conn., Color: green |
| 1902330 | FKCT 2,5/ 5-STF-5,08 | Plug component, Nominal current: 12 A, Nom. voltage: 250 V, Pitch: 5.08 mm, Number of positions: 5, Connection type: Spring-cage conn., Color: green |
| 1874138 | FKCVR 2,5/ 5-STF-5,08 | Plug component, Nominal current: 12 A, Nom. voltage: 250 V, Pitch: 5.08 mm, Number of positions: 5, Connection type: Spring-cage conn., Color: green |
| 1873838 | FKCVW 2,5/ 5-STF-5,08 | Plug component, Nominal current: 12 A, Nom. voltage: 250 V, Pitch: 5.08 mm, Number of positions: 5, Connection type: Spring-cage conn., Color: green |
| 1777837 | FRONT-MSTB 2,5/ 5-STF-5,08 | Plug component, Nominal current: 12 A, Nom. voltage: 250 V, Pitch: 5.08 mm, Number of positions: 5, Connection type: Screw connection, Color: green |
| 1778014 | MSTB 2,5/ 5-STF-5,08 | Plug component, Nominal current: 12 A, Nom. voltage: 250 V, Pitch: 5.08 mm, Number of positions: 5, Connection type: Screw connection, Color: green |
| 1809763 | MSTBC 2,5/ 5-STZF-5,08 | Plug component, Nominal current: 12 A, Nom. voltage: 320 V, Pitch: 5.08 mm, Number of positions: 5, Connection type: Crimp connection, Color: green |
| 1805330 | MSTBT 2,5/ 5-STF-5,08 | Plug component, Nominal current: 12 A, Nom. voltage: 250 V, Pitch: 5.08 mm, Number of positions: 5, Connection type: Screw connection, Color: green |
| 1835122 | MVSTBR 2,5/ 5-STF-5,08 | Plug component, Nominal current: 12 A, Nom. voltage: 250 V, Pitch: 5.08 mm, Number of positions: 5, Connection type: Screw connection, Color: green |
| 1834932 | MVSTBW 2,5/ 5-STF-5,08 | Plug component, Nominal current: 12 A, Nom. voltage: 250 V, Pitch: 5.08 mm, Number of positions: 5, Connection type: Screw connection, Color: green |
| 1883381 | QC 1/ 5-STF-5,08 | Plug component, Nominal current: 10 A, Nom. voltage: 500 V, Pitch: 5.08 mm, Number of positions: 5, Connection type: Insulation displacement connection QUICKON, Color: green |
| 1853133 | TMSTBP 2,5/ 5-STF-5,08 | Plug component, Nominal current: 12 A, Nom. voltage: 250 V, Pitch: 5.08 mm, Number of positions: 5, Connection type: Screw connection, Color: green |

DFK-MSTBA 2,5/ 5-GF-5,08 Order No.: 1899016

<http://eshop.phoenixcontact.de/phoenix/treeViewClick.do?UID=1899016>

Diagrams/Drawings

Dimensioned drawing



Dimension b = 10.49 mm + (no. of pos. x 5.08 mm)

Dimension c = Dim. b + 9.27 mm

DFK-MSTBA 2,5/ 5-GF-5,08 Order No.: 1899016
<http://eshop.phoenixcontact.de/phoenix/treeViewClick.do?UID=1899016>

Address

PHOENIX CONTACT Inc., USA
586 Fulling Mill Road
Middletown, PA 17057, USA
Phone (800) 888-7388
Fax (717) 944-1625
<http://www.phoenixcon.com>



© 2010 Phoenix Contact
Technical modifications reserved;