



Distributor of BUD Industries, Inc.: Excellent Integrated System Limited

Datasheet of HH-3492 - KEY FOB ABS BLK 2.24"L X 1.37"W

Contact us: sales@integrated-circuit.com Website: www.integrated-circuit.com

Excellent Integrated System Limited

Stocking Distributor

Click to view price, real time Inventory, Delivery & Lifecycle Information:

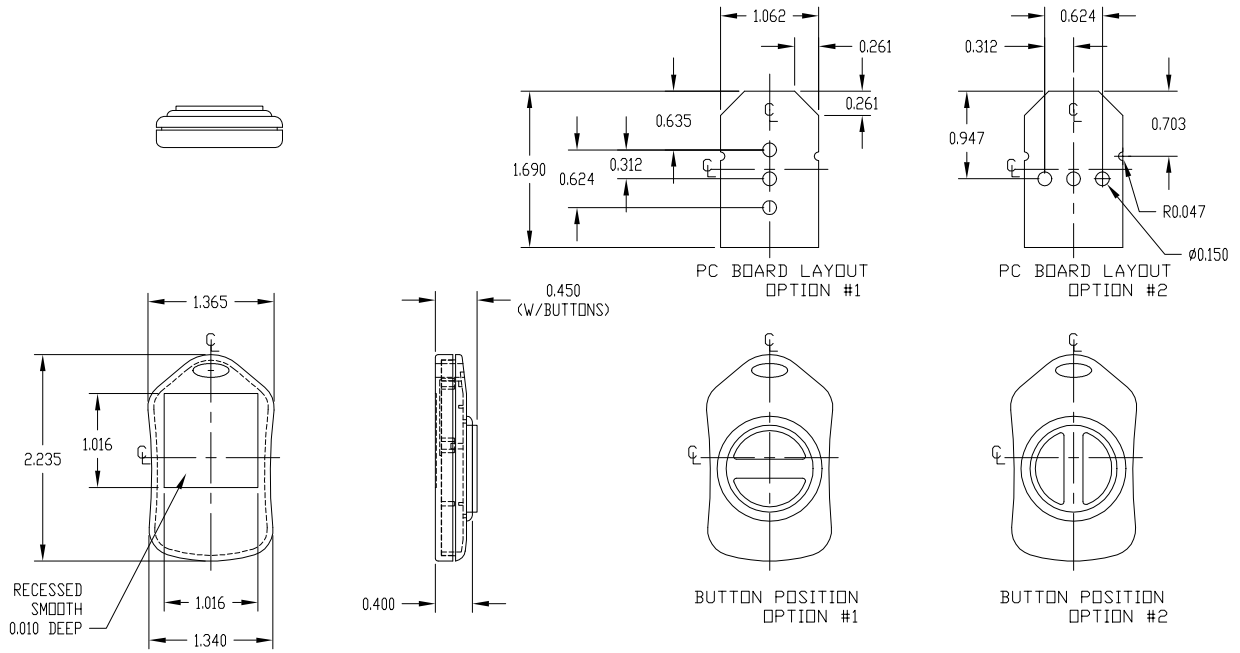
[BUD Industries, Inc.](#)

[HH-3492](#)

For any questions, you can email us directly:

sales@integrated-circuit.com

PART NAME	2-BUTTON GRABBER	PART No.	HH-3492	REV. DATE	10-29-08
-----------	------------------	----------	---------	-----------	----------



NOTE:

- 1) MATERIAL: BODY & COVER - ABS (UL94-HB)
BUTTON - ABS & SILICONE RUBBER
- 2) FINISH: BODY & COVER - TEXTURED
BUTTON - SMOOTH
- 3) COLOR: BODY & COVER - BLACK
BUTTON - GRAY
- 4) PC BOARD IS NOT INCLUDED. TO BE FURNISHED BY CUSTOMER.
- 5) ALL DIMENSIONS HAVE ± 0.010 TOLERANCE UNLESS OTHERWISE SPECIFIED.