

Excellent Integrated System Limited

Stocking Distributor

Click to view price, real time Inventory, Delivery & Lifecycle Information:

[BUD Industries, Inc.](#)

[PNR-2600](#)

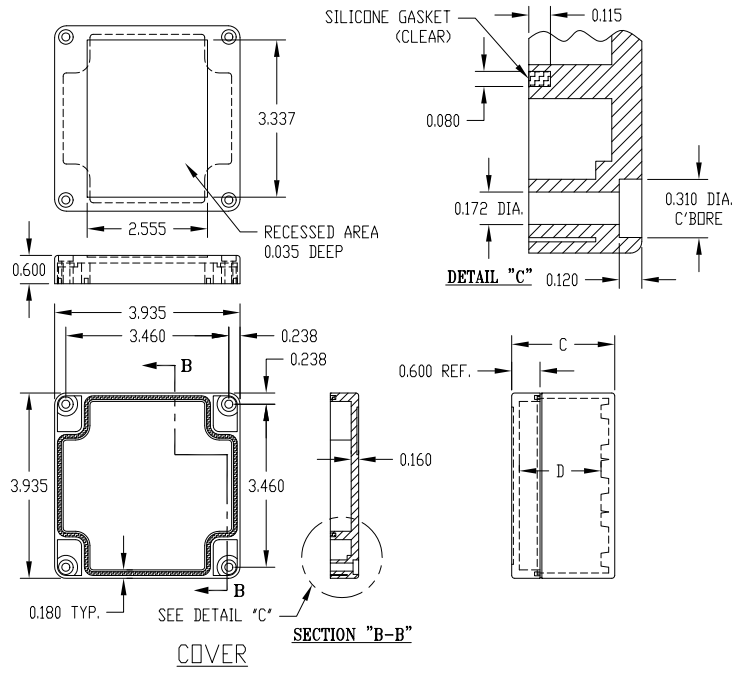
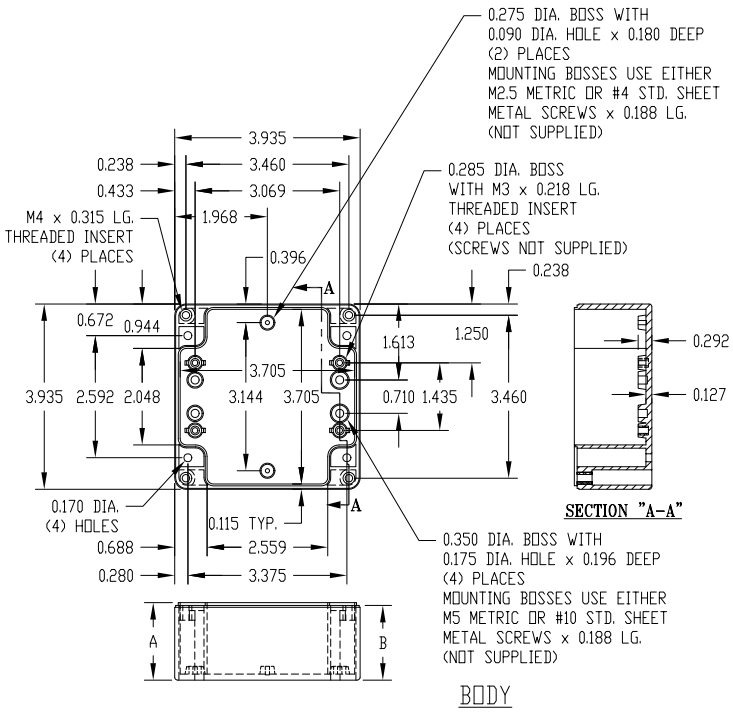
For any questions, you can email us directly:

sales@integrated-circuit.com

PART NAME	NEMA 4X ENCLOSURE	PART No.	PNR-2600, PNR-2601, PNR-2600-C AND PNR-2601-C AND PNR-2600-DG AND PNR-2601-DG	REV. DATE	11-17-08
-----------	-------------------	----------	---	-----------	----------

INDUSTRY STANDARDS:
 POLYCARBONATE (LIGHT GRAY AND CLEAR)
 UL94-HB FLAMMABILITY RATING (UL FILE #E41613)
 UV STABILIZED
 SERVICE TEMPERATURE RANGE: -40°C TO +120°C
 ABS (DARK GRAY)
 UL94-HB FLAMMABILITY RATING (UL FILE #E56070)
 SERVICE TEMPERATURE RANGE: -40°C TO +80°C

PART NUMBER	DIMENSION			
	A	B	C	D
PNR-2600, PNR-2600-C AND PNR-2600-DG	1.645	1.586	2.186	1.734
PNR-2601, PNR-2601-C AND PNR-2601-DG	3.016	2.955	3.555	3.103



NOTE: ALL DIMENSIONS HAVE ±0.015 TOLERANCE UNLESS OTHERWISE SPECIFIED.

PART NUMBER	MATERIAL		FINISH		HARDWARE KIT
	BODY	COVER	BODY	COVER	
PNR-2600 & PNR-2601	POLYCARBONATE	POLYCARBONATE	LIGHT GRAY	CLEAR	KIT CONTAINS (4) M4 x 17mm (0.668") LG. SCREWS FOR ASSEMBLY
PNR-2600-C & PNR-2601-C	POLYCARBONATE	POLYCARBONATE	LIGHT GRAY	CLEAR	
PNR-2600-DG & PNR-2601-DG	HIGH-IMPACT ABS	HIGH-IMPACT ABS	DARK GRAY	CLEAR	