

Excellent Integrated System Limited

Stocking Distributor

Click to view price, real time Inventory, Delivery & Lifecycle Information:

[Rohm Semiconductor](#)
[BH4126FV-E2](#)

For any questions, you can email us directly:

sales@integrated-circuit.com

BH4126FV

Communication ICs

Wide band IF detector for RF remote control units

BH4126FV

The BH4126FV is an IC equipped with internal mixer, IF amplifier, and FM detector circuits, developed for use with RF remote control units.

●Applications

Keyless entry

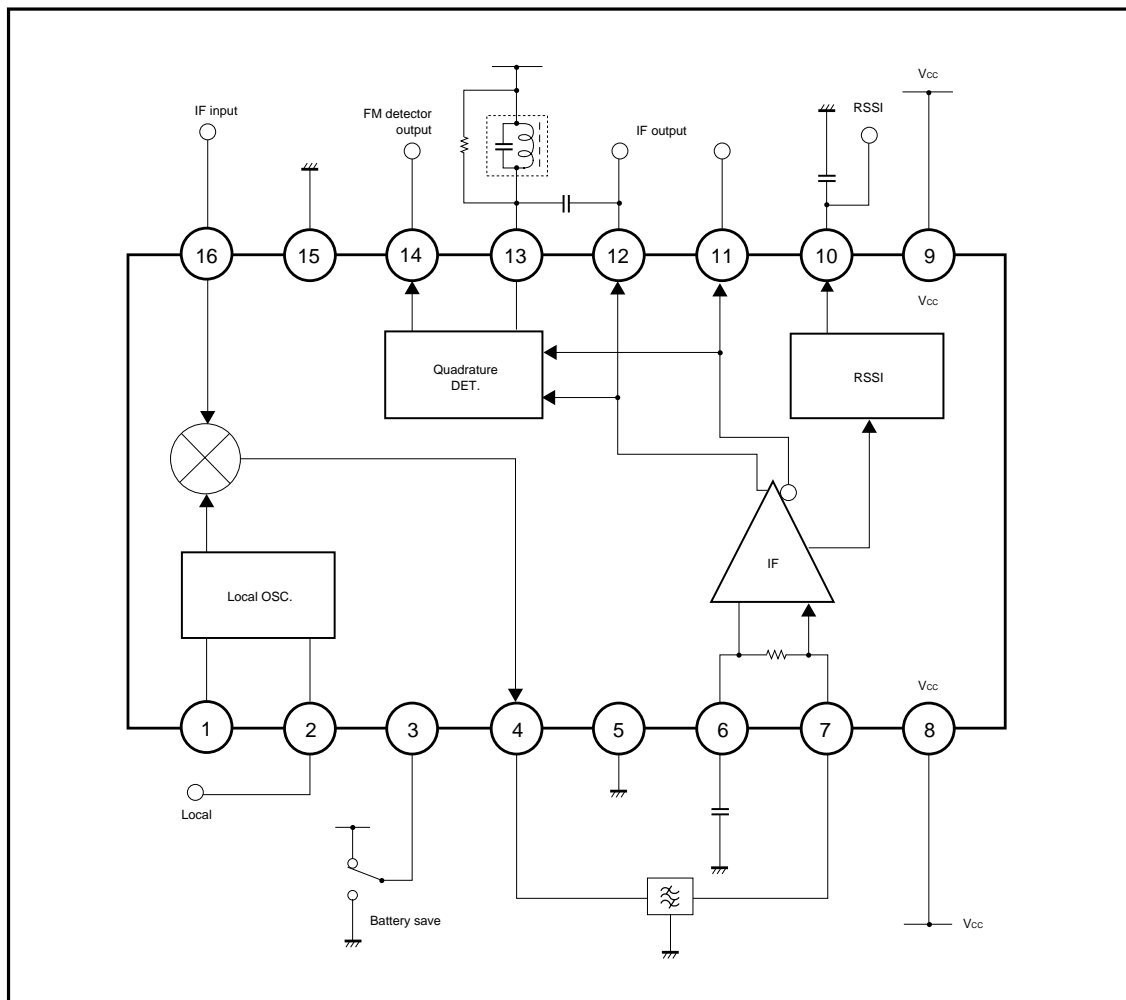
●Features

- 1) Equipped with internal mixer, IF, RSSI, and FM detection circuits.
- 2) Can be operated at mixer input frequencies ranging from 20MHz to 300MHz.
- 3) Equipped with a battery power saving function.
- 4) Fast RSSI response.
- 5) High FM detection sensitivity. (21.2mV / kHz)

BH4126FV

Communication ICs

● **Block diagram**



● **Absolute maximum ratings** (Ta=25°C, for measurement circuit)

Parameter	Symbol	Limits	Unit
Power supply voltage	V _{CC}	7.0	V
Power dissipation	P _D	350 *1	mW
Storage temperature	T _{stg}	-55~+125	°C

*1 Reduced by 3.5 mW for each increase in Ta of 1°C over 25°C.

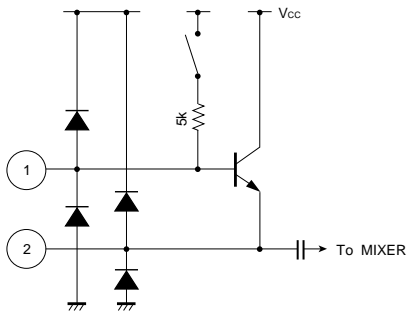
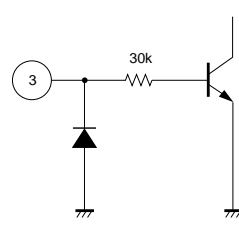
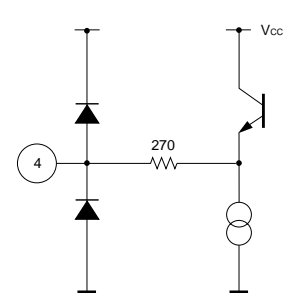
● **Operating range**

Parameter	Symbol	Limits	Unit
Operating power supply voltage	V _{CC}	2.3~5.5	V
Operating temperature	T _{opr}	-40~+85	°C

BH4126FV

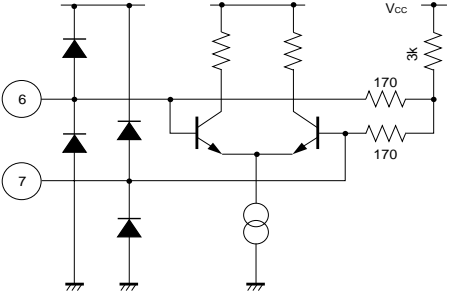
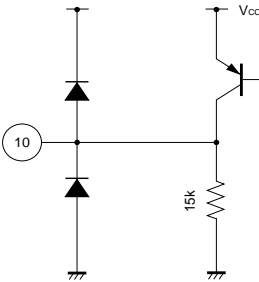
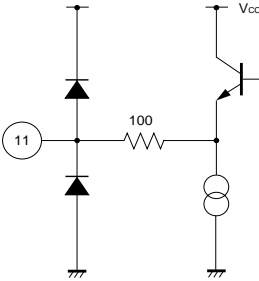
Communication ICs

●Pin descriptions

Pin No.	Function	Internal peripheral circuit	DC voltage(V)
1	Local oscillator pin (base) Connect crystal resonator and capacitor		$V_{cc} - 0.6$
2	Local oscillator pin (emitter) Connect capacitor or input local signal from external oscillator		V_{cc}
3	Battery save pin "Pin 3 voltage" ≤ 0.2 : Battery save $2V \leq$ "Pin 3 voltage" $\leq V_{cc}$: Active		-
4	Mixer output pin Connect ceramic filter Output impedance: 330Ω		$V_{cc} - 1.5$
5	GND pin	GND for IF stages and FM detection stages	GND

BH4126FV

Communication ICs

Pin No.	Function	Internal peripheral circuit	DC voltage (V)
6	IF amplifier bypass pin Connect capacitor		V _{CC}
7	IF amplifier input pin Connect ceramic filter Input impedance: 330Ω		V _{CC}
8	V _{CC} pin 1	V _{CC} for MIX stages and IF front stage	V _{CC}
9	V _{CC} pin 2	V _{CC} for IF rear stage and FM detection stage	V _{CC}
10	RSSI output pin Connect capacitor		0.1
11 12	IF amplifier output pin Pins 11 and 12 are opposite-phase output		V _{CC} - 1

BH4126FV

Communication ICs

Pin No.	Function	Internal peripheral circuit	DC voltage(V)
13	Discriminator pin Connect phase shift coil or ceramic discriminator		Vcc
14	FM demodulation signal output pin Output impedance is 360Ω		0.9
15	GND pin	GND for MIX stage	GND
16	Mixer pin Connect first IF signal from DC cutoff		1.0

BH4126FV

Communication ICs

● **Electrical characteristics** (unless otherwise noted, Ta=25°C, Vcc=3.0V)

Signal source : $f_{IN(MIX)} = 248.45\text{MHz}$, $f_{IN(LO)} = 237.75\text{MHz}$, 100dB μV

AC level to be indicated by termination

Parameter	Symbol	Min.	Typ.	Max.	Unit	Conditions
Quiescent current	I_Q	4.4	5.5	6.6	mA	With local oscillation OFF
Battery save quiescent current	$I_Q(BS)$	-	0	5	μA	
Battery save function input voltage	V_{TH-H}	2	-	V_{CC}	V	Active
	V_{TH-L}	GND	-	0.2	V	Battery save
〈 MIX - Oscillator section 〉						
Mixer operating frequency	f_{MIX}	20	-	300	MHz	
Mixer conversion gain	G_{VC}	16	20	24	dB	$V_{IN(MIX)} = 60\text{dB}\mu\text{V}$
-1dB compression output level	V_{OM}	-	103	-	dB μV	
3rd order intercept point	IP3	-	110	-	dB μV	$f_1=248.75\text{MHz}, f_2=249.05\text{MHz}$
Noise figure	NF	-	9.7	-	dB	LC matching input
Mixer input admittance	$Y_{IN(MIX)}$	-	1.25+j7.47	-	ms	$f=248.45\text{MHz}$
Mixer output resistance	$R_{O(MIX)}$	-	330	-	Ω	
Local oscillator operating frequency	f_{LO}	20	-	120	MHz	
Local input level	$V_{IN(LO)}$	95	100	105	dB μV	
Local input admittance	$Y_{IN(LO)}$	-	1.36+j9.72	-	ms	$f=237.75\text{MHz}$

BH4126FV

Communication ICs

Signal source : $f_{IN(MIX)} = 248.45\text{MHz}$, $f_{IN(LO)} = 237.75\text{MHz}$, $100\text{dB}\mu\text{V}$, $f_{IN(IF)} = 10.7\text{MHz}$;
 AC level to be indicated by termination

Parameter	Symbol	Min.	Typ.	Max.	Unit	Conditions
〈 IF section 〉						
IF operating frequency	f_{IF}	4	-	15	MHz	
IF amplifier gain	G_V	-	75	-	dB	
IF input resistance	$R_{IN(IF)}$	-	330	-	Ω	
IF output level	V_{OIF}	0.4	0.5	0.6	V_{P-P}	$V_{IN(IF)} = 80\text{dB}\mu\text{V}$
IF duty ratio	DR	40	50	60	%	$V_{IN(IF)} = 80\text{dB}\mu\text{V}$, $C_L = 10\text{pF}$
〈 RSSI section 〉						
Output voltage 1	V_{RSSI1}	-	0.15	0.4	V	No input
Output voltage 2	V_{RSSI2}	1.0	1.2	1.4	V	$V_{IN(IF)} = 70\text{dB}\mu\text{V}$
Output voltage 3	V_{RSSI3}	1.8	2.0	2.2	V	$V_{IN(IF)} = 100\text{dB}\mu\text{V}$
Dynamic range	DR	-	70	-	dB	
Output resistance	$R_{O(RSSI)}$	12	15	18	$k\Omega$	
Rise time at power on	T_{ON}	-	20	-	μs	$C_L = 100\text{pF}$, $V_{IN(MIX)} = 60\text{dB}\mu\text{V}$
Fall time at power off	T_{OFF}	-	5	-	μs	$C_L = 100\text{pF}$, $V_{IN(MIX)} = 60\text{dB}\mu\text{V}$
RSSI rise time	T_R	-	9	-	μs	$C_L = 100\text{pF}$, $V_{IN(MIX)} = 60\text{dB}\mu\text{V}$
RSSI fall time	T_F	-	11	-	μs	$C_L = 100\text{pF}$, $V_{IN(MIX)} = 60\text{dB}\mu\text{V}$

Signal source : $f_{IN(IF)} = 10.7\text{MHz}$, $\Delta f = \pm 10\text{kHz dev}$, $f_m = 1\text{kHz}$;
 AC level to be indicated by termination

Parameter	Symbol	Min.	Typ.	Max.	Unit	Conditions
〈 Detector unit 〉						
Detection sensitivity	S_{DET}	-	21.2	-	mV / kHz	$V_{IN(IF)} = 80\text{dB}\mu\text{V}$
Detection output level	V_O	110	150	195	mV_{rms}	$V_{IN(IF)} = 80\text{dB}\mu\text{V}$
Detection frequency	f_{DET}	-	100	-	kHz	$V_{IN(IF)} = 80\text{dB}\mu\text{V}$
12 dB SINAD sensitivity	$S_{(12dB)}$	12	16	20	$\text{dB}\mu\text{V}$	
S / N ratio	S / N	40	48	-	dB	$V_{IN(IF)} = 80\text{dB}\mu\text{V}$
AM rejection ratio	AMR	-	40	-	dB	$V_{IN(IF)} = 80\text{dB}\mu\text{V}$, AM = 30%

BH4126FV

Communication ICs

● Measurement circuit

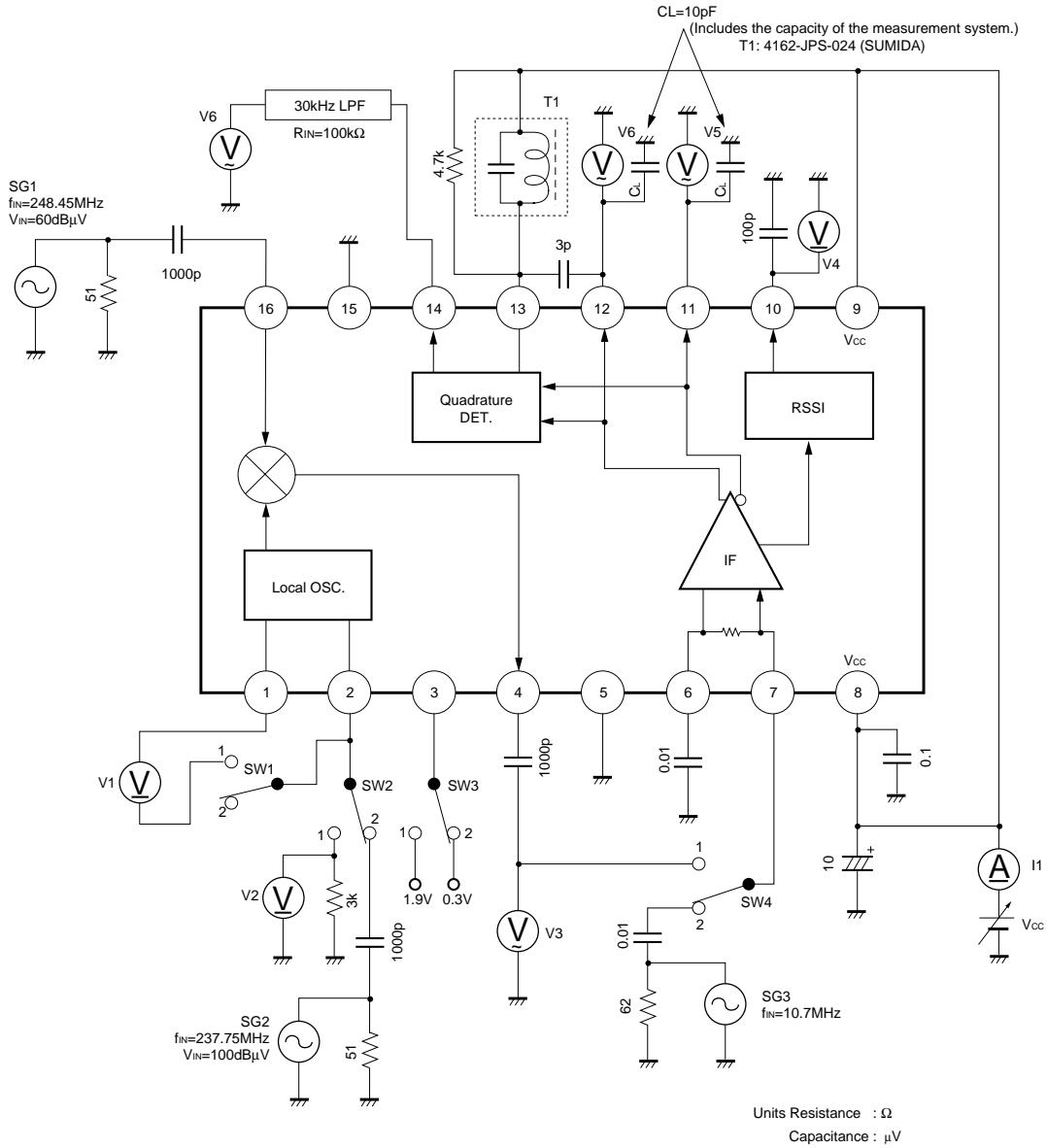


Fig. 1

BH4126FV

Communication ICs

● **Application example**

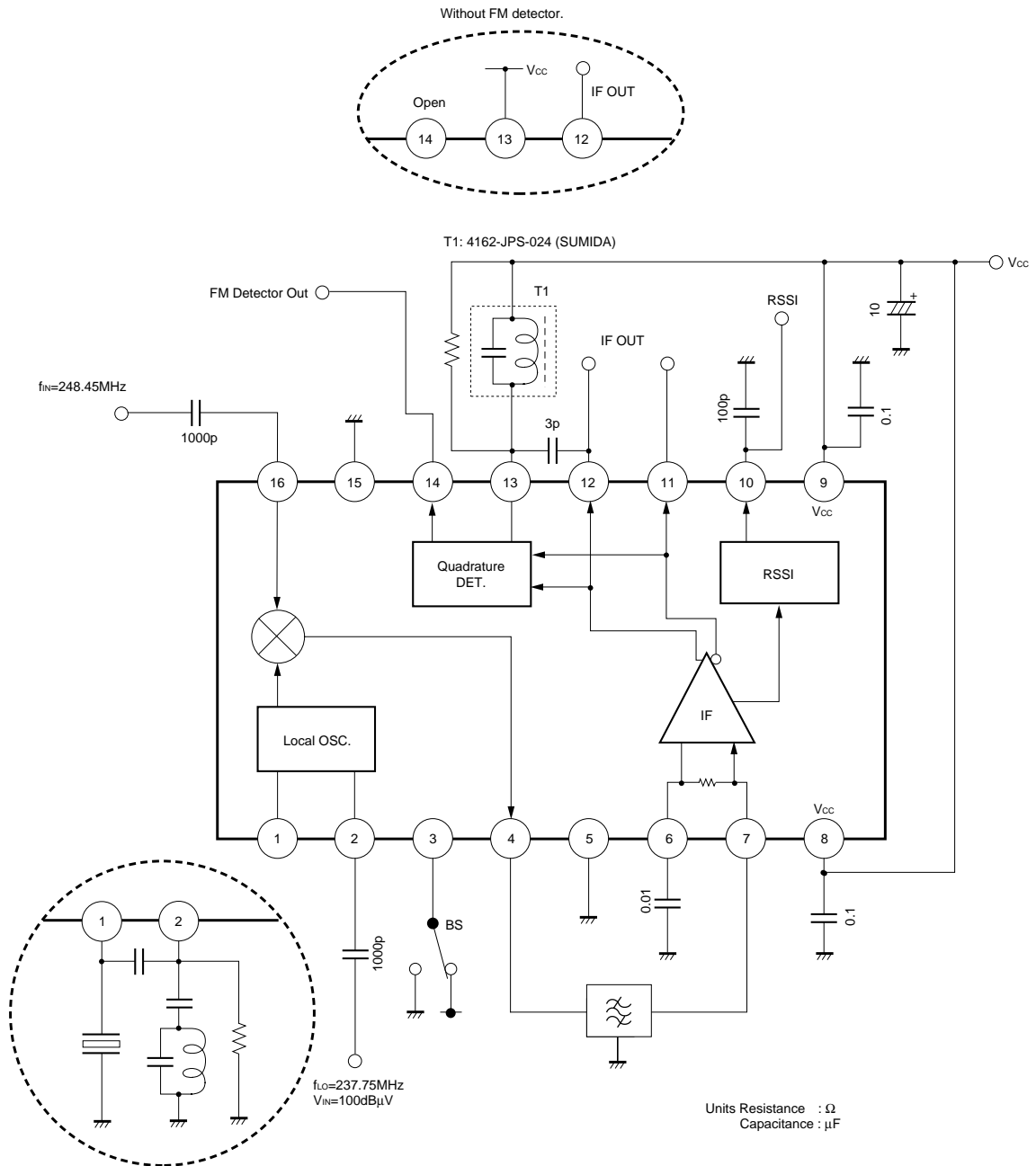
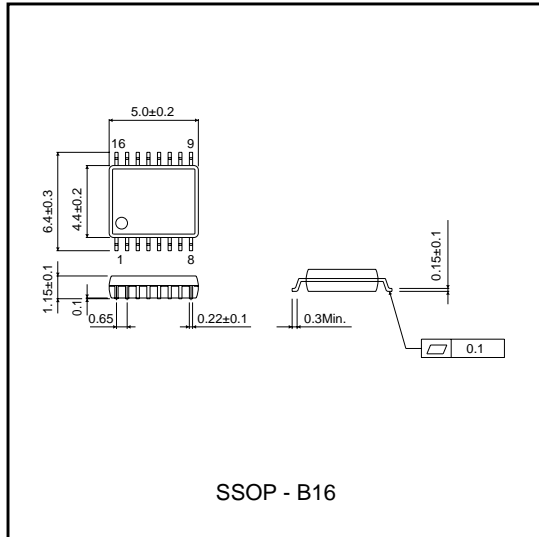


Fig. 2

BH4126FV

Communication ICs

●External dimensions (Units: mm)



Appendix

Notes

- No technical content pages of this document may be reproduced in any form or transmitted by any means without prior permission of ROHM CO.,LTD.
- The contents described herein are subject to change without notice. The specifications for the product described in this document are for reference only. Upon actual use, therefore, please request that specifications to be separately delivered.
- Application circuit diagrams and circuit constants contained herein are shown as examples of standard use and operation. Please pay careful attention to the peripheral conditions when designing circuits and deciding upon circuit constants in the set.
- Any data, including, but not limited to application circuit diagrams information, described herein are intended only as illustrations of such devices and not as the specifications for such devices. ROHM CO.,LTD. disclaims any warranty that any use of such devices shall be free from infringement of any third party's intellectual property rights or other proprietary rights, and further, assumes no liability of whatsoever nature in the event of any such infringement, or arising from or connected with or related to the use of such devices.
- Upon the sale of any such devices, other than for buyer's right to use such devices itself, resell or otherwise dispose of the same, no express or implied right or license to practice or commercially exploit any intellectual property rights or other proprietary rights owned or controlled by
- ROHM CO., LTD. is granted to any such buyer.
- Products listed in this document use silicon as a basic material.
Products listed in this document are no antiradiation design.

The products listed in this document are designed to be used with ordinary electronic equipment or devices (such as audio visual equipment, office-automation equipment, communications devices, electrical appliances and electronic toys).

Should you intend to use these products with equipment or devices which require an extremely high level of reliability and the malfunction of which would directly endanger human life (such as medical instruments, transportation equipment, aerospace machinery, nuclear-reactor controllers, fuel controllers and other safety devices), please be sure to consult with our sales representative in advance.

About Export Control Order in Japan

Products described herein are the objects of controlled goods in Annex 1 (Item 16) of Export Trade Control Order in Japan.

In case of export from Japan, please confirm if it applies to "objective" criteria or an "informed" (by MITI clause) on the basis of "catch all controls for Non-Proliferation of Weapons of Mass Destruction.